
NIRS™ DA1650 Spare Parts Manual

6008 1295 / Rev. 17



Information may be changed or updated without notice. The latest version is found at www.foss.dk.

Rev.	Date of Issue	Revised Material
1	2011-05-04	First issue
2	2011-09-09	Spare parts updated
3	2012-02-07	Spare parts updated
4	2012-08-22	New Quartz cups, new cables
5	2012-11-08	New spare part
6	2013-04-22	New spare part
7	2013-10-02	Spare parts updated
8	2013-11-18	Spare parts updated
9	2015-08-19	Spare parts updated, kit added
10	2016-11-09	Part number of shutter in Sample Handling Unit list corrected
11	2017-05-10	Part number of USB touch PBC corrected
12	2017-10-11	New part number of this manual due to Plug & Play release
13	2019-09-18	New part number
14	2020-06-28	New part number
15	2021-03-12	New part number
16	2022-02-11	Section 4 updated.
17	2022-07-13	Battery DA1650 SP(60057608) is no longer a Spare Part

Note: Please note that all information is liable to change without prior notice.

Table of Contents

1	General	1
2	Sample Handling Unit	2
3	Lamp House	4
4	Basic Unit	6
5	Cables	8
6	Instrument Accessories	11
7	Spare Part Kits	12
7.1	Preventive Maintenance Kits	12
7.1.1	PM Kit DA1650	12
7.2	Other Kits	12
7.2.1	Repair Kit SHU	12
7.2.2	Fuse Kit	12
7.2.3	KIT for Touch Screen Solution	12
8	Special Tools	13
9	Index	14

1 General

This document contains Spare Parts for NIRS™ DA1650.



Warning

Please read Safety Precautions in the Service Manual prior to maintenance or exchange of spare parts.

The system may only be repaired by FOSS personnel or by other personnel approved by FOSS.

2 Sample Handling Unit

Pos.	Part No.	Description	Note
1	60089686	Instrument glass	
2	60048050	Reference plate	
3	60048060	Cup motor	
4	60048059	Reference plate motor	
5	60048046	Inductive sensor	
6	60068671	Shutter	
10	60048049	Slide bearing	
15	60048045	Rubber seal	

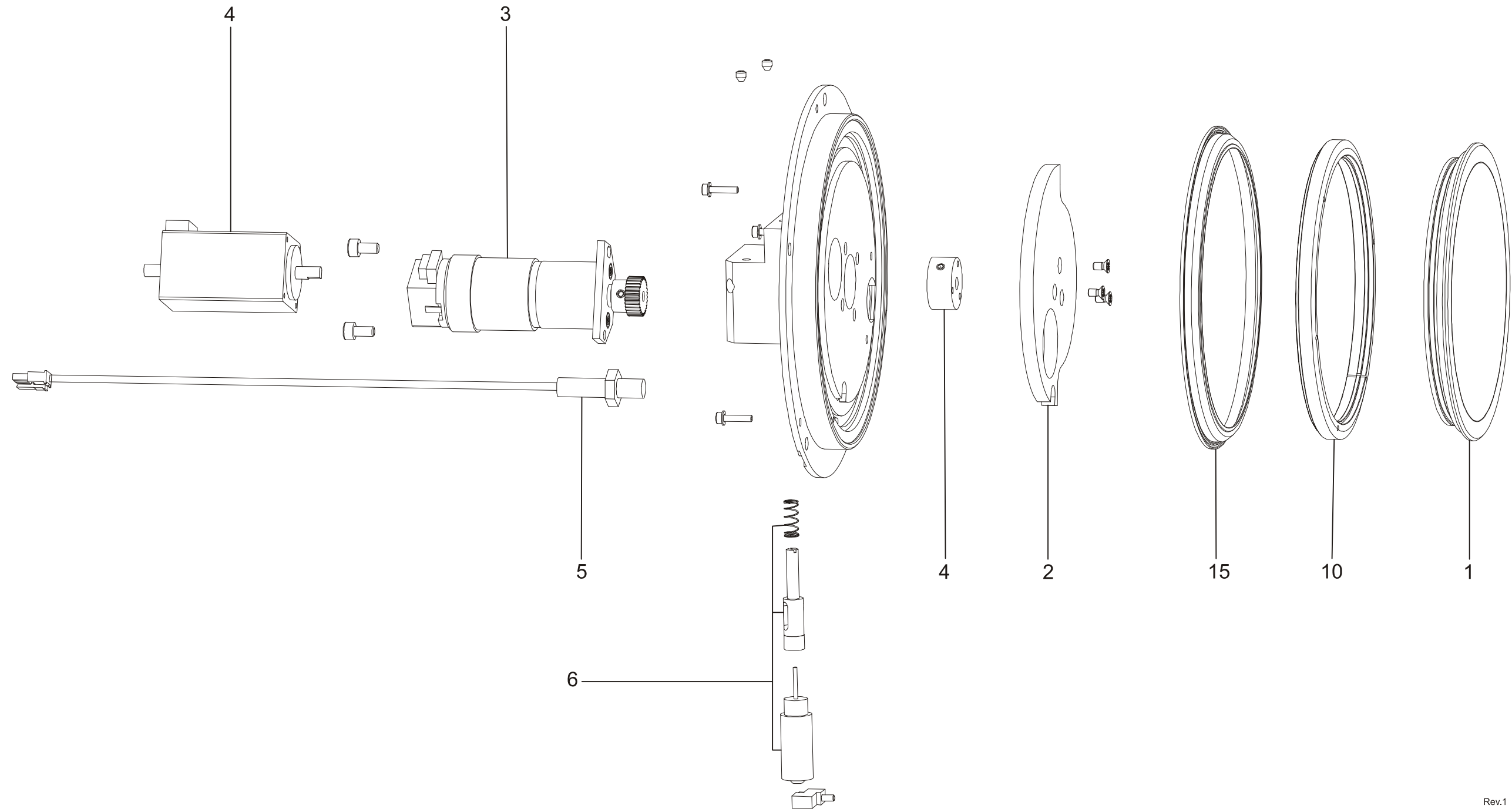


Fig. 1

Rev.1

3 Lamp House

Pos.	Part No.	Description	Note
2	60048052	Lamp fiber	
7	60048051	Lamp 20W	
8	60048053	Lamp holder	

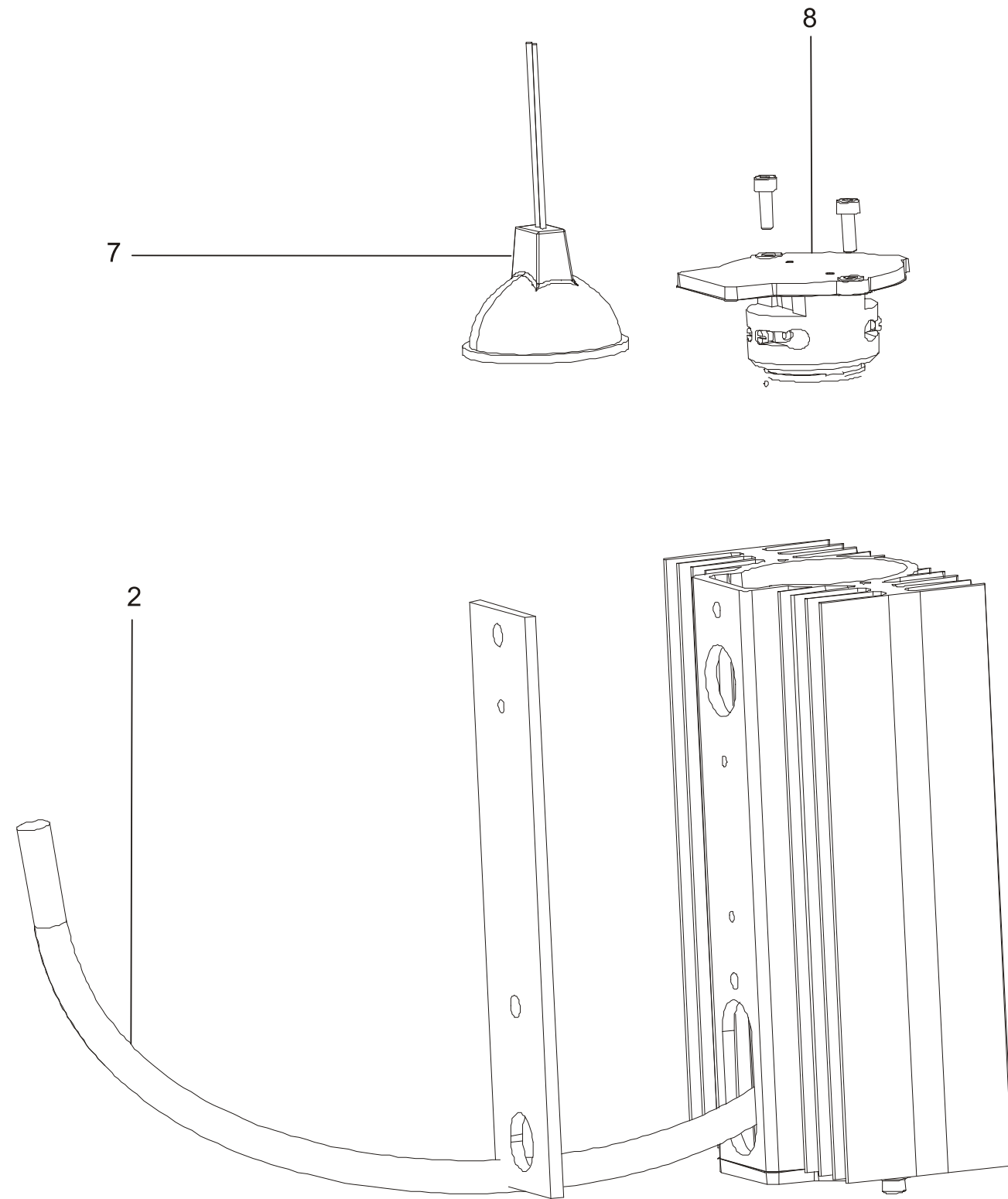


Fig. 2

Rev.1

4 Basic Unit

Pos.	Part No.	Description	Note
1	60048043	Sample handl. unit	
2	60052038	Spectrometer fiber	
3	60048048	Spectrometer incl. fiber	
4	60048047	Cup sensor	
12	60048006	Main sealing	
13	60092737	Embedded PC w/o mSATA or CF memory	
14	60048004	Chassis ID ²⁾	
15	60047992	Control PCB	
16	01052295	USB touch PCB	
17	60044282	Display 6.5" VGA Color	
18	60044283	Touch screen 6.5" ³⁾	
18	60069791	Touch screen 6.5" ⁴⁾	
20	60048003	Compact Flash Disk, DA1650 ⁵⁾	
20	60093892	mSATA 64 GB win 10 SW, DA1650 ¹⁾	
20	60093894	Win 10 upgrade kit for DA 1650 ⁶⁾	
21	60048005	DC Filter PCB	
32	60048023	Lid damper	
33	60048040	Screen sealing	
34	60048007	RFID gasket	
39	60048021	Lid knobs	2 pcs
41	60048022	Lid	
43	60048026	Hinge sealings	2 pcs
44	60095161	RFID-sensorSP	
53	60048054	Instrument feet kit	
54	60048024	Gaskets	14 pcs
56	60048041	Heat pipe	
59	60048057	Fuse holder	
61	60048062	Power socket	
62	60048064	USB socket	
63	60048056	Socket cover	Not illustrated
64	60048063	Ethernet socket	
508	60048058	Power switch	
600	60047774	Fan	
	60048217	Touch screen support	Not illustrated
	60058474	PC Board Fan	Not illustrated

¹⁾To order if already upgraded to win 10 IOT and 64 GB mSATA crashes.

²⁾ Serial No of instrument MUST be stated when ordering.

³⁾ Instruments with serial numbers 91768804 and below.

⁴⁾ From serial No.91770050 or if the instrument has installed KIT for touch screen solution 60069772.

⁵⁾ To order if using 8 GB CF.

⁶⁾ To order if instrument shall be upgraded from 8 GB CF to 64 GB mSATA + win 10 IOT.

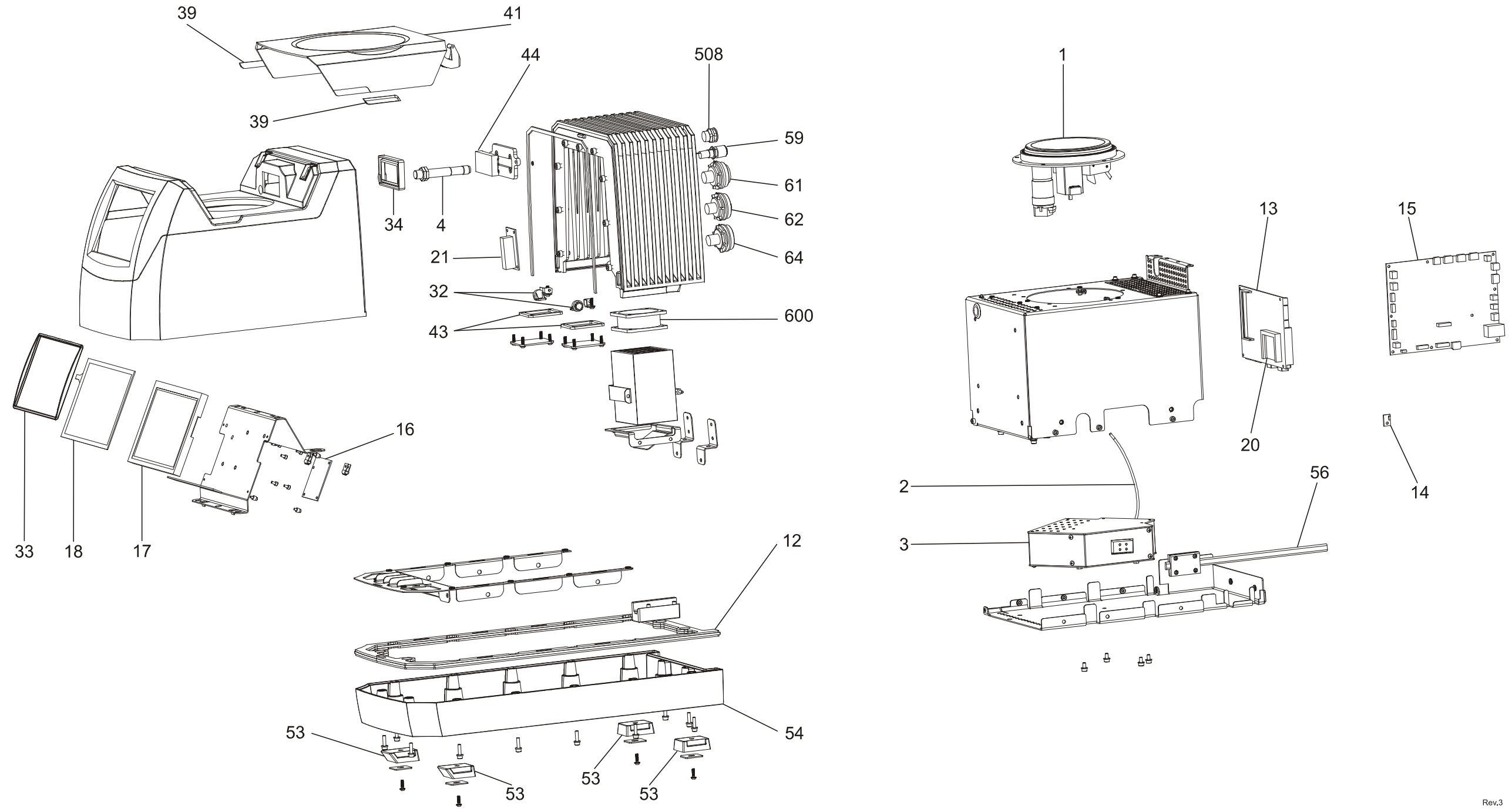


Fig. 3

Rev.3

5 Cables

Pos.	Part No.	Description	Note
500	60048058	Power switch with cable	
501	60048010	Display cable	
503	60048012	Cable power to DC-filter	
504	60048013	Cup sensor cable	
506	60048015	Display backlight cable	
507	60048016	Ethernet cable red	
508	60050970	Cable DC power 12V	Pos.502+505+508
509	60048017	Cable USB to touch PCB	
510	60048018	USB cable	
511	60048019	Ethernet cable PC-board	
512	60048020	Cable, Chas-ID	
513	60048009	Cable power enable	
514	60049710	Cable lamp to control PCB	

6 Instrument Accessories

Part No.	Description	Note
60048055	Power supply	Not illustrated
60047429	Ethernet cable IP68	Not illustrated

7 Spare Part Kits

7.1 Preventive Maintenance Kits

7.1.1 PM Kit DA1650

Part No. 60049707 ¹⁾

Description

Lamp 20W
PM Protocol

7.2 Other Kits

7.2.1 Repair Kit SHU

Part No. 60056934 ¹⁾

Description

Alloy cog wheel
Grub screw
Thread seal

7.2.2 Fuse Kit

Part No. 60061110 ¹⁾

Description	Note
6.3AT fuses	10 pcs.

7.2.3 KIT for Touch Screen Solution

Kit Part No. 60069772 ¹⁾

Part No.	Description
60069768	Touch screen 4WR0641FA3
60069769	L spaped touch screen support
60069770	Scotch magic tape
01052295	Pcb assy USB/Touch Control PCB
60050562	Aluminium tape 25mm
60070167	Service Instruction - New Touch screen.

¹⁾ Not illustrated.

8 Special Tools

Part No.	Description	Note
60048065	Picoflex tool	Not illustrated
60053171	ERC tool	Not illustrated
60053172	EWC tool	Not illustrated
60047471	Pelicase transport box DA1650	Not illustrated

9 Index

Part No.	Page		
01052295	6, 12	60049710	8
60044282	6	60050562	12
60044283	6	60050970	8
60047429	11	60052038	6
60047774	6	60056934	12
60047992	6	60058474	6
60048003	6	60061110	12
60048004	6	60068671	2
60048005	6	60069768	12
60048006	6	60069769	12
60048007	6	60069770	12
60048009	8	60069772	12
60048010	8	60069791	6
60048012	8	60070167	12
60048013	8	60089686	2
60048015	8	60092737	6
60048016	8	60093892	6
60048017	8	60093894	6
60048018	8	60095161	6
60048019	8		
60048020	8		
60048021	6		
60048022	6		
60048023	6		
60048024	6		
60048026	6		
60048040	6		
60048041	6		
60048043	6		
60048045	2		
60048046	2		
60048047	6		
60048048	6		
60048049	2		
60048050	2		
60048051	4		
60048052	4		
60048053	4		
60048054	6		
60048055	11		
60048056	6		
60048057	6		
60048058	6, 8		
60048059	2		
60048060	2		
60048062	6		
60048063	6		
60048064	6		
60048217	6		
60049707	12		

