
FoodScan™ 2 Spare Parts Manual

6007 8663 / Rev. 1



All information is liable to change without prior notice. For latest information about documentation updates for your specific instrument, please contact your local FOSS representative.

Rev.	Date of Issue	Revised Material
1	2018-07-16	First issue.

Table of Contents

1	General.....	1
1.1	Explanation of Definitions	1
2	Assembly Identification	2
3	Display	4
4	Fiber Holder with WL-filter	6
5	Power Supply A	8
6	Detector Unit	10
7	SH Drive Unit	12
8	Rear Right Side A	14
9	Monochromator Unit	16
10	Base Unit A	18
11	Base Unit A	20
12	Base Unit A	22
13	Basic Unit - FoodScan 2 Pro	24
14	Basic Unit - FoodScan 2 Lab TS	26
15	Blue Lid with Seals and Bearing	28
16	Stainless Steel Lid with Seals and Bearing	30
17	Rear Cover - FoodScan Pro	32
18	Rear Right Side B.....	34
19	Power Supply Unit B	36
20	Base Unit B.....	38
21	Base Unit B.....	40
22	Base Unit B.....	42

23	Basic Unit - FoodScan 2 Lab.....	44
24	Index	48

1 General

This document contains Spare Parts for FoodScan™ 2.



Warning

Please read Safety Precautions in the Service Manual prior to maintenance or exchange of spare parts.

The system may only be repaired by personnel certified by FOSS.

1.1 Explanation of Definitions

Explanation of definitions used in this manual:

- Drawing No. FOSS drawing number.
- Page Drawing page in FOSS database.
- Part No. Spare part number for ordering.
- Prod. No. FOSS production number.

Note:

When ordering new spare parts, please use the Part No. stated in this manual for the parts in question.

2 Assembly Identification

Drawing No.: -**Page:** 001

Pos.	Description
100-1	Display assy FoodScan 2
120-1	Fiber holder with wl-filter
140-1	PSU assy A
160-1	Detector unit
180-1	SH drive unit
200-1	Rear right side A
250-1	Monochromator Unit
300-1	FoodScan 2 Base Unit A
300-2	FoodScan 2 Base Unit A
300-3	FoodScan 2 Base Unit A
400-1	Basic Unit FoodScan 2 Pro
450-1	Basic Unit FoodScan 2 Lab TS
500-1	Blue Lid w. seals and bearing
550-1	Stainless Steel Lid w. seals and bearing
600-1	Pro rear cover
620-1	Rear right side B
640-1	PSU assy B
700-1	FoodScan 2 Base Unit B
700-2	FoodScan 2 Base Unit B
700-3	FoodScan 2 Base Unit B
800-1	Basic Unit FoodScan 2 Lab

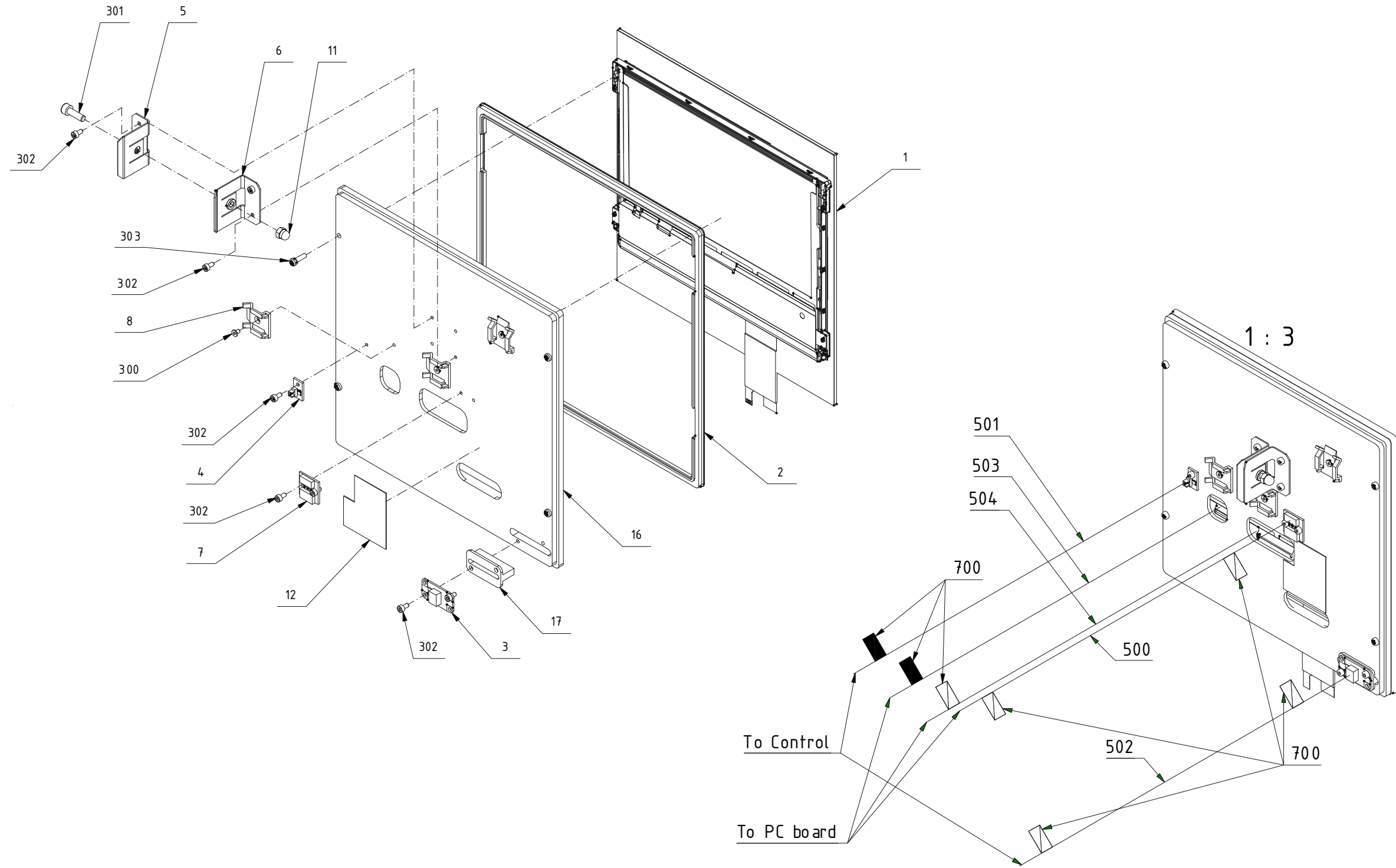
To be added.

Fig. 1

3 Display

Drawing No.: 60075429**Page: 100-1**

Pos.	Part No.	Description	Prod. No.
1	60075108	Display	
2	60075619	Front seal for Display	
3	01052183	Pcb assy RGB LED PCB	
500	60077294	Cable picoblade 5pin to Picoblade 5pin	
501	60079718	Cable, Display USB Touch	
502	60077187	Cable RGB LED CTR	
503	60063141	Cable, Back light	
504	60063140	Cable, LVDS	

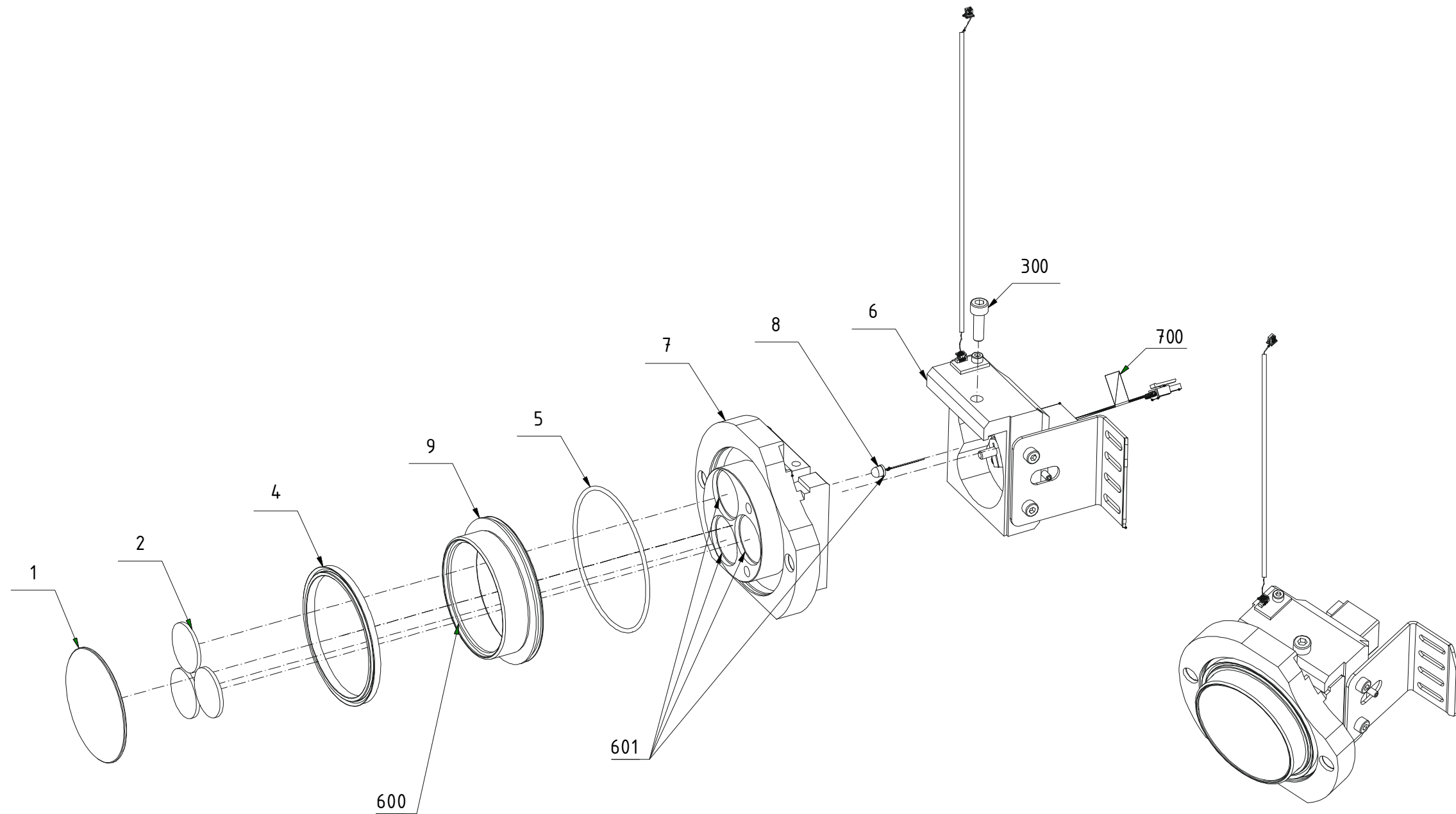


600754-29 Doc. Rev:07 Doc.type:70

Fig. 2

4 Fiber Holder with WL-filter**Drawing No.:** 60075111 **Page:** 120-1

Pos.	Part No.	Description	Prod. No.
6	60083372	WL-filter Assy	60077525



60075111 Doc. Rev.07 Doc.type:95

Fig. 3

5 Power Supply A

Drawing No.: 60075422 *Page:* 140-1

Pos.	Part No.	Description	Prod. No.
2	60075350	Power supply	
6	60075400	Cable, 24V from PSU	
7	60076290	Cable 24V DC-DC	

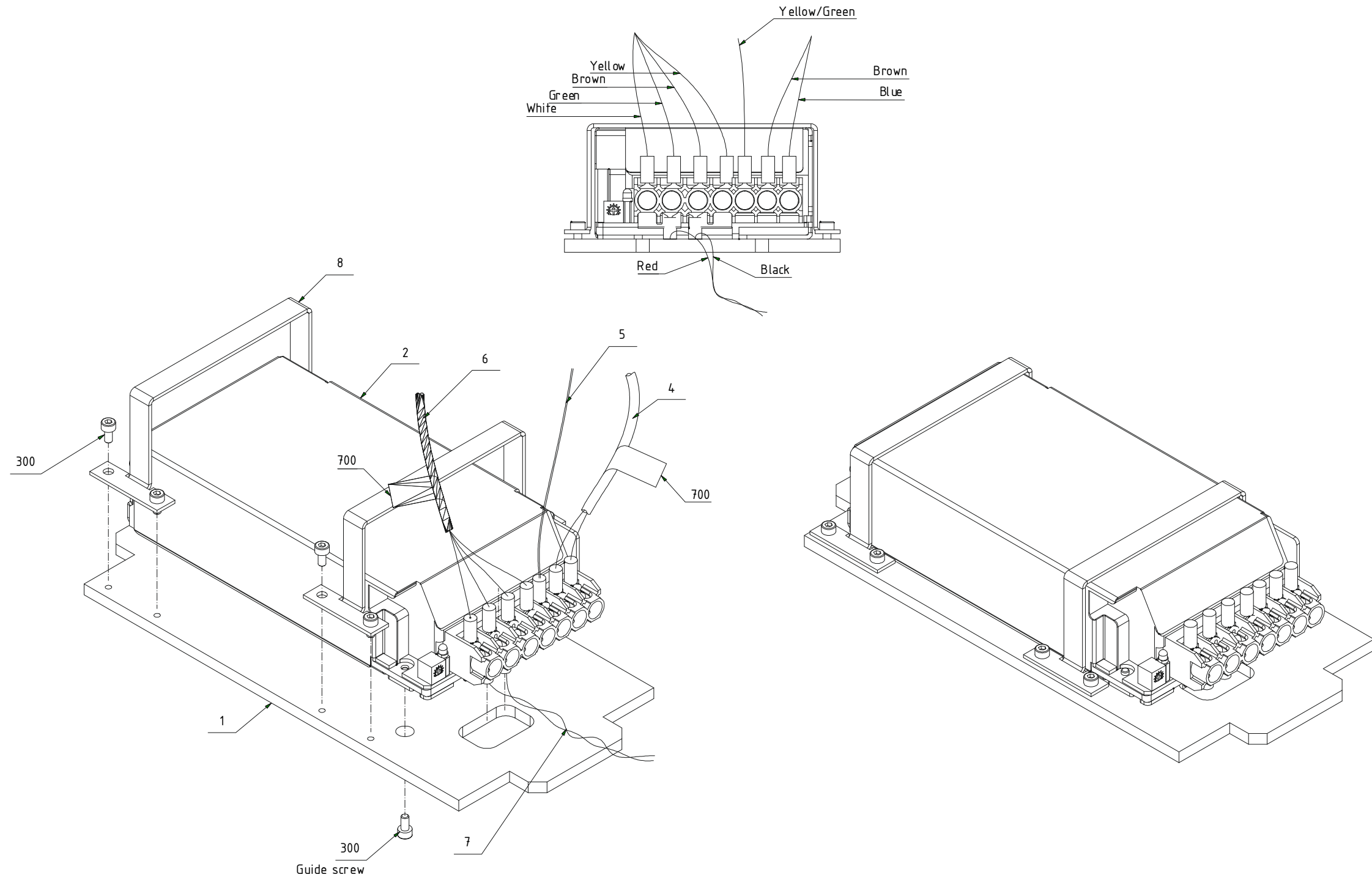


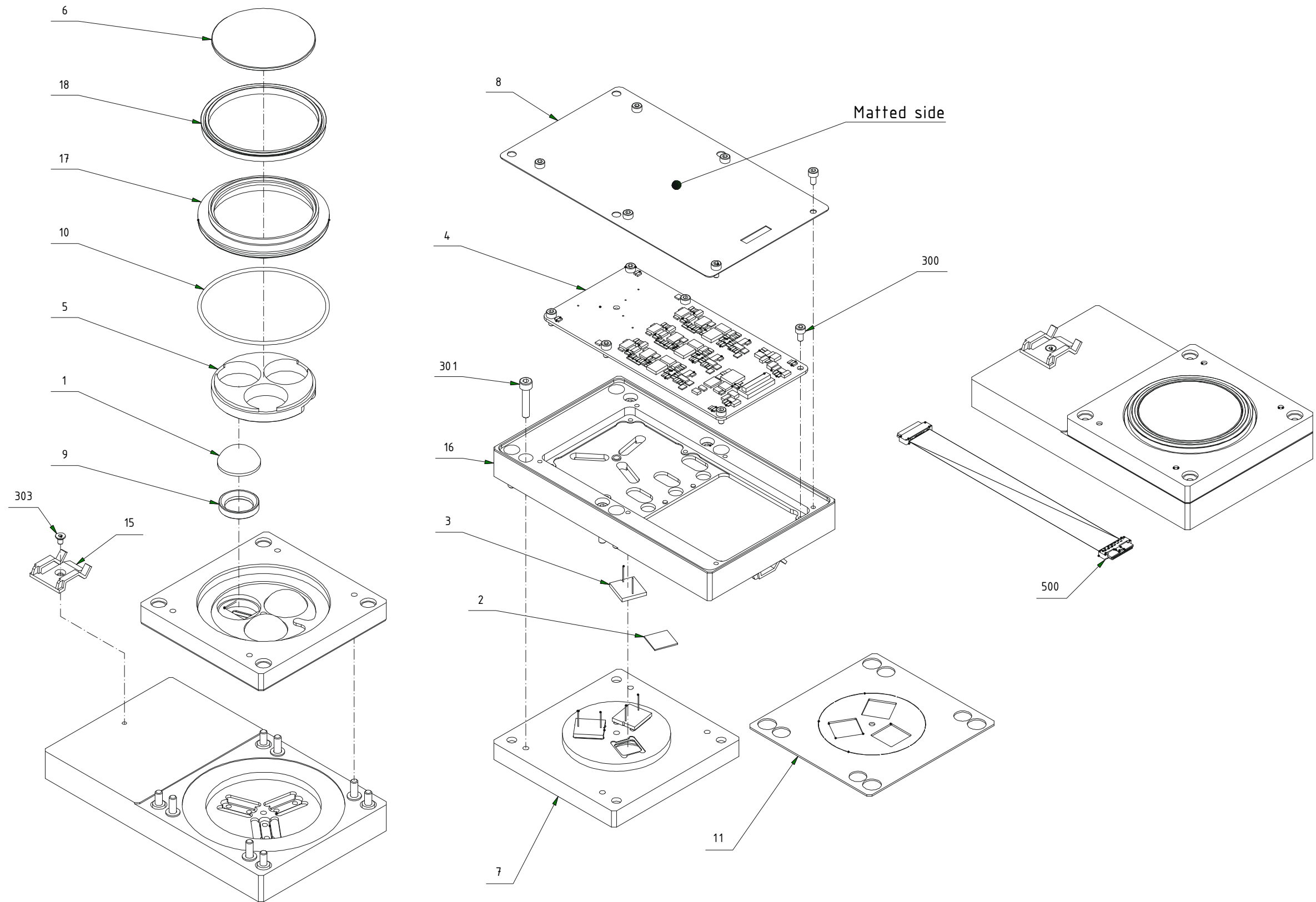
Fig. 4

6 0075422 Doc Rev 07 Doctype 95

6 Detector Unit

Drawing No.: 60075141 *Page:* 160-1

Pos.	Part No.	Description	Prod. No.
6	60073053	Tube window	
18	60075538	Gasket for optics	
500	60075394	Cable Detc. Mono. PCB	



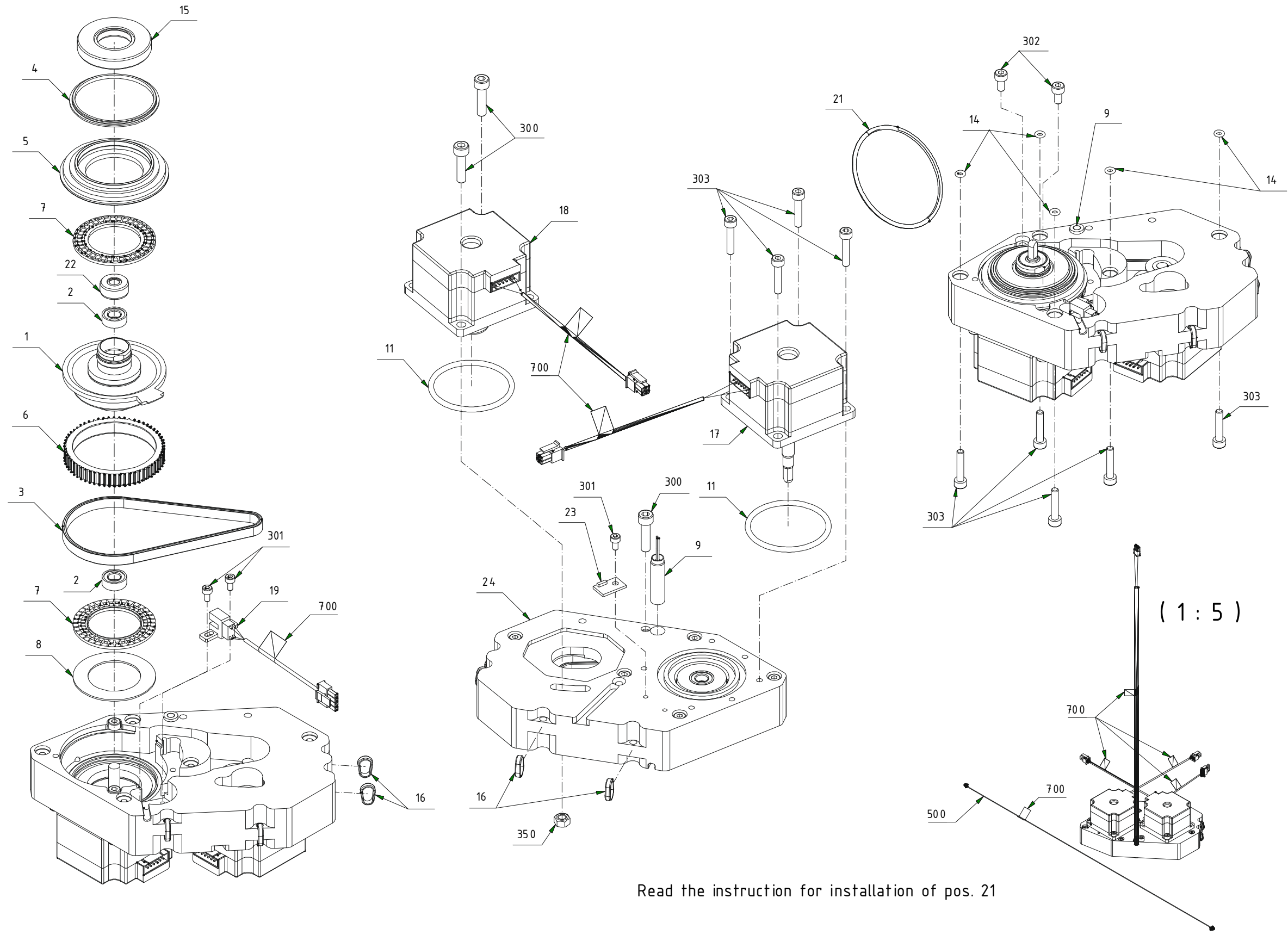
60075141 Dα. Rev:07 Doc.type:95

Fig. 5

7 SH Drive Unit

Drawing No.: 60076861 **Page:** 180-1

Pos.	Part No.	Description	Prod. No.
3	01030134	Belt	
4	01030122	Gasket, axle ass.	
9	60085763	Reed sensor w/holder	
11	60078337	O-ring ø043.00/ø3.00 NBR 70	
15	01030131	Simmerring Ø20/ø42x7 NBR70	
21	00536581	O-ring ø057.60/ø2.40 NBR 70	
22	01030130	Simmerring Ø06/ø16x7 NBR70	
500	60079718	Cable, Display USB Touch	



60076861 Doc. Rev:04 Doc.type:70

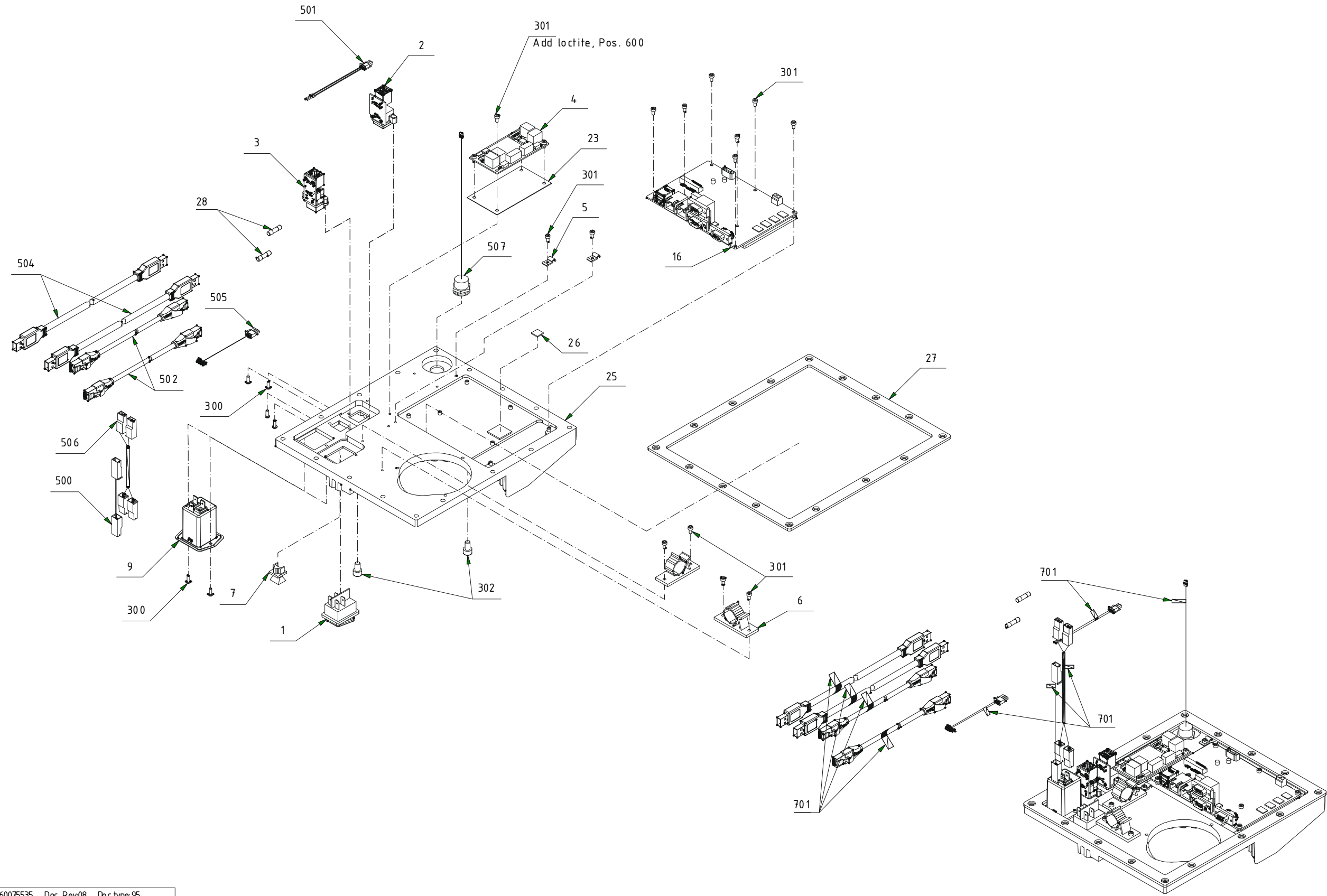
Read the instruction for installation of pos. 21

Fig. 6

8 Rear Right Side A

Drawing No.: 60075535 *Page:* 200-1

Pos.	Part No.	Description	Prod. No.
1	60044122	Power switch	
2	60060763	MUSB-C311-M5	
3	60060764	Connector MRJ-5780-M1	
4	01052377	Pcb assy DC-DC Converter PCB	
16	60083373	PC Board	60073731
28	01030891	Fuse 2 A	
501	60077230	PC Power cable 12V	
505	60076292	Cable PCON control	
507	60082298	Power button	



60075535 Doc Rev:08 Doc type:95

Fig. 7

9 Monochromator Unit

Drawing No.: 60073105 *Page:* 250-1

Pos.	Part No.	Description	Prod. No.
1	60081087	Monochromator FoodScan 2	60072806
2	60079717	Cable ID Optics CTR	
15	60081991	Cable CAN Monoc CTR	
16	60076952	Cable Mono power CTR	
19	01052355	Pcb assy Monocromator Control PCB	

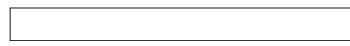
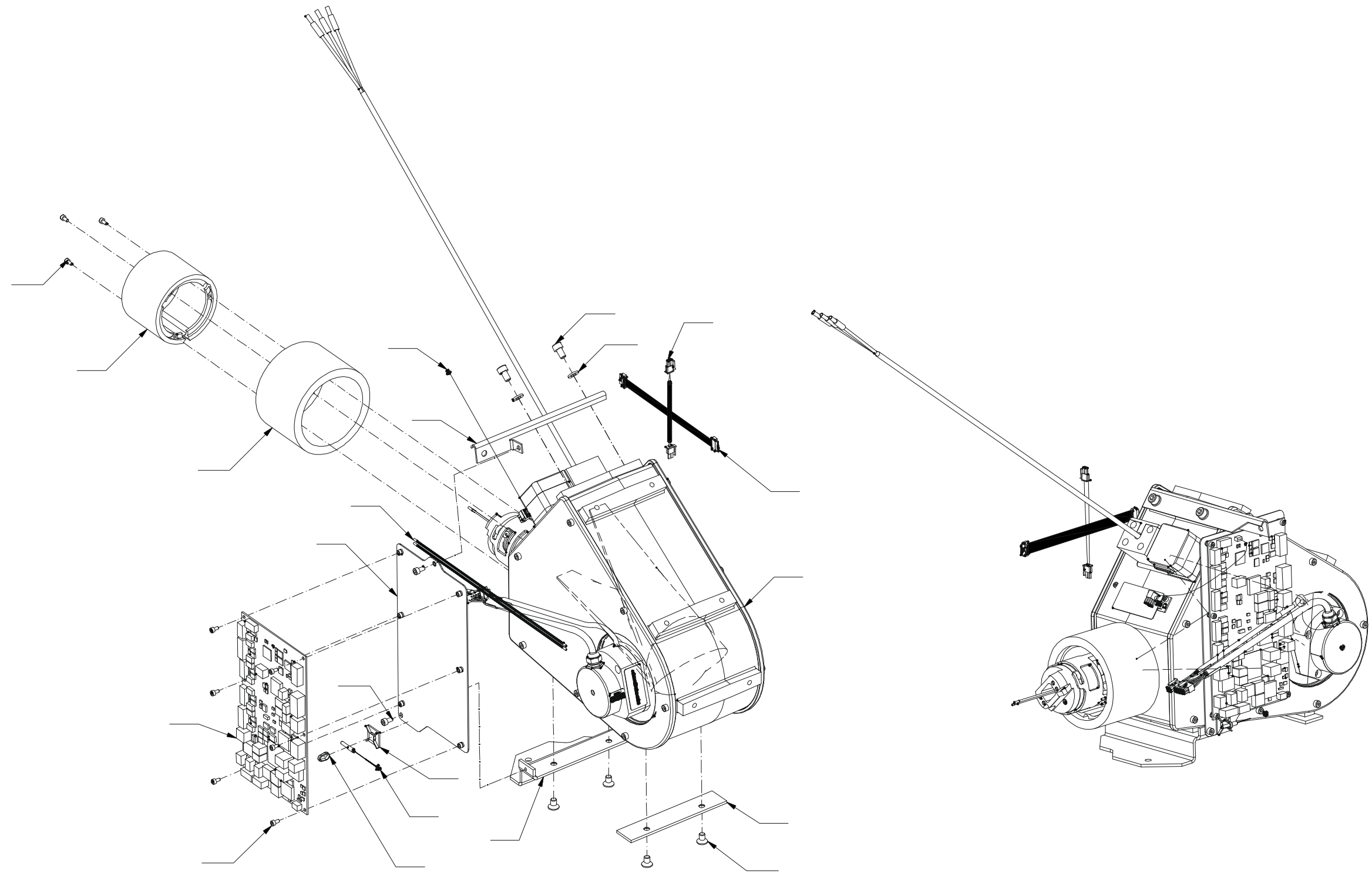


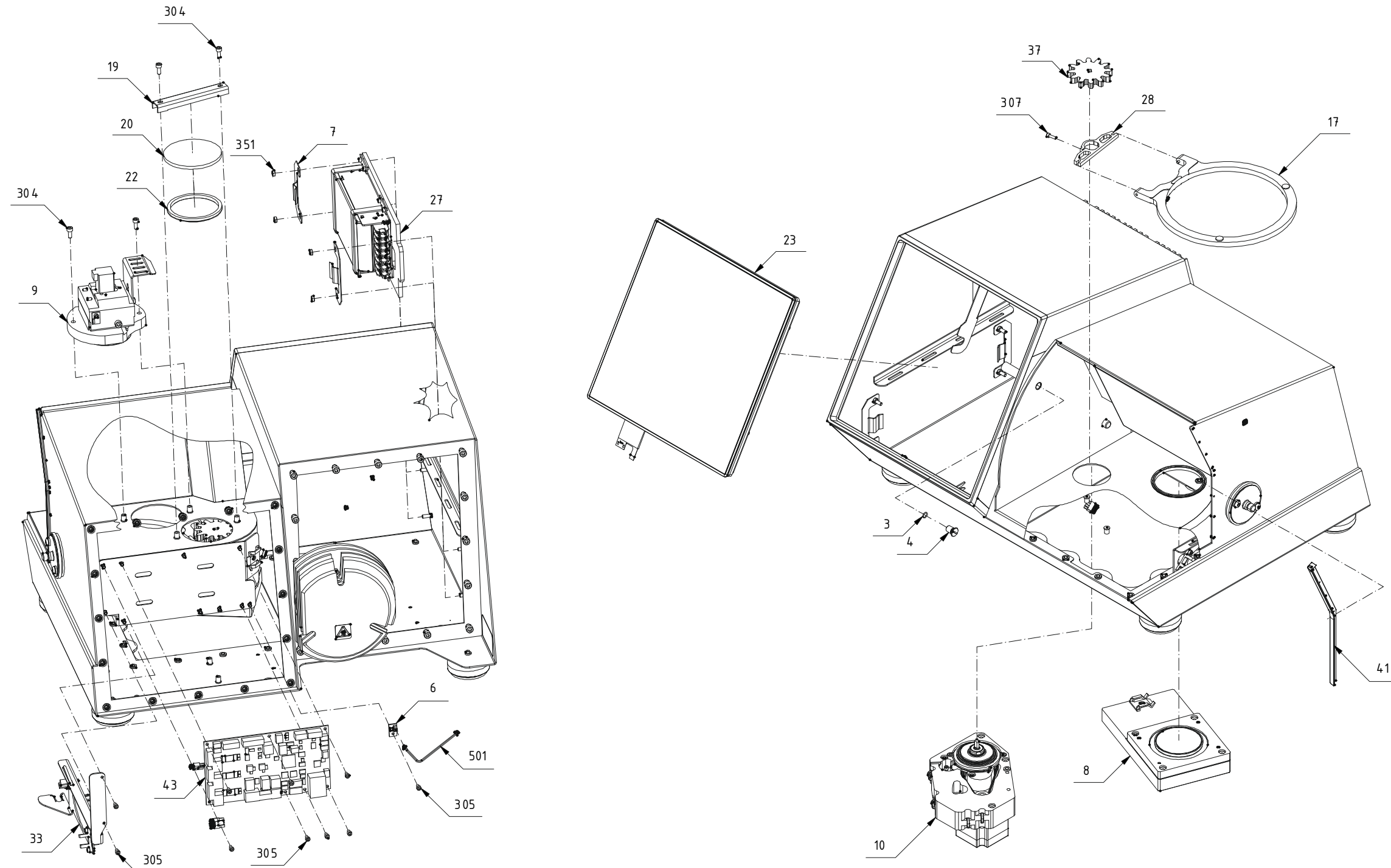
Fig. 8

10 Base Unit A**Drawing No.: 60075430** **Page: 300-1**

Pos.	Part No.	Description	Prod. No.
8	60083370	Detector unit	60075141
10	60083371	SH drive unit	60076861
23	60079413	Display	60075429
26	60079803	Rear left gasket	
43	01052351	Pcb assy Control PCB	

11 Base Unit A**Drawing No.: 60075430 Page: 300-2**

Pos.	Part No.	Description	Prod. No.
8	60083370	Detector unit	60075141
10	60083371	SH drive unit	60076861
23	60079413	Display	60075429
43	01052351	Pcb assy Control PCB	



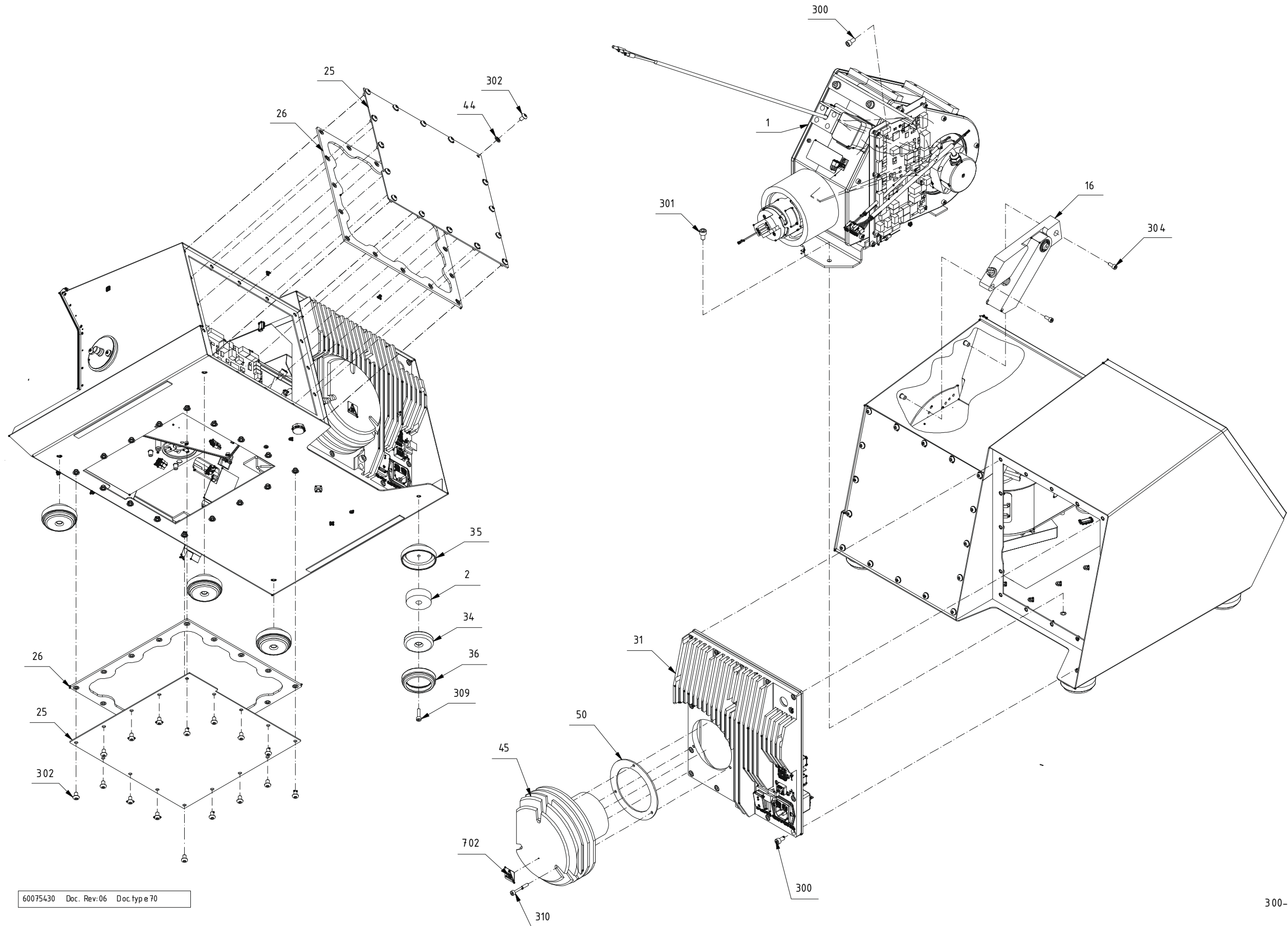
600754.30 Doc. Rev:06 Doc.type:70

300-2

Fig. 10

12 Base Unit A**Drawing No.: 60075430** **Page: 300-3**

Pos.	Part No.	Description	Prod. No.
26	60079803	Rear left gasket	



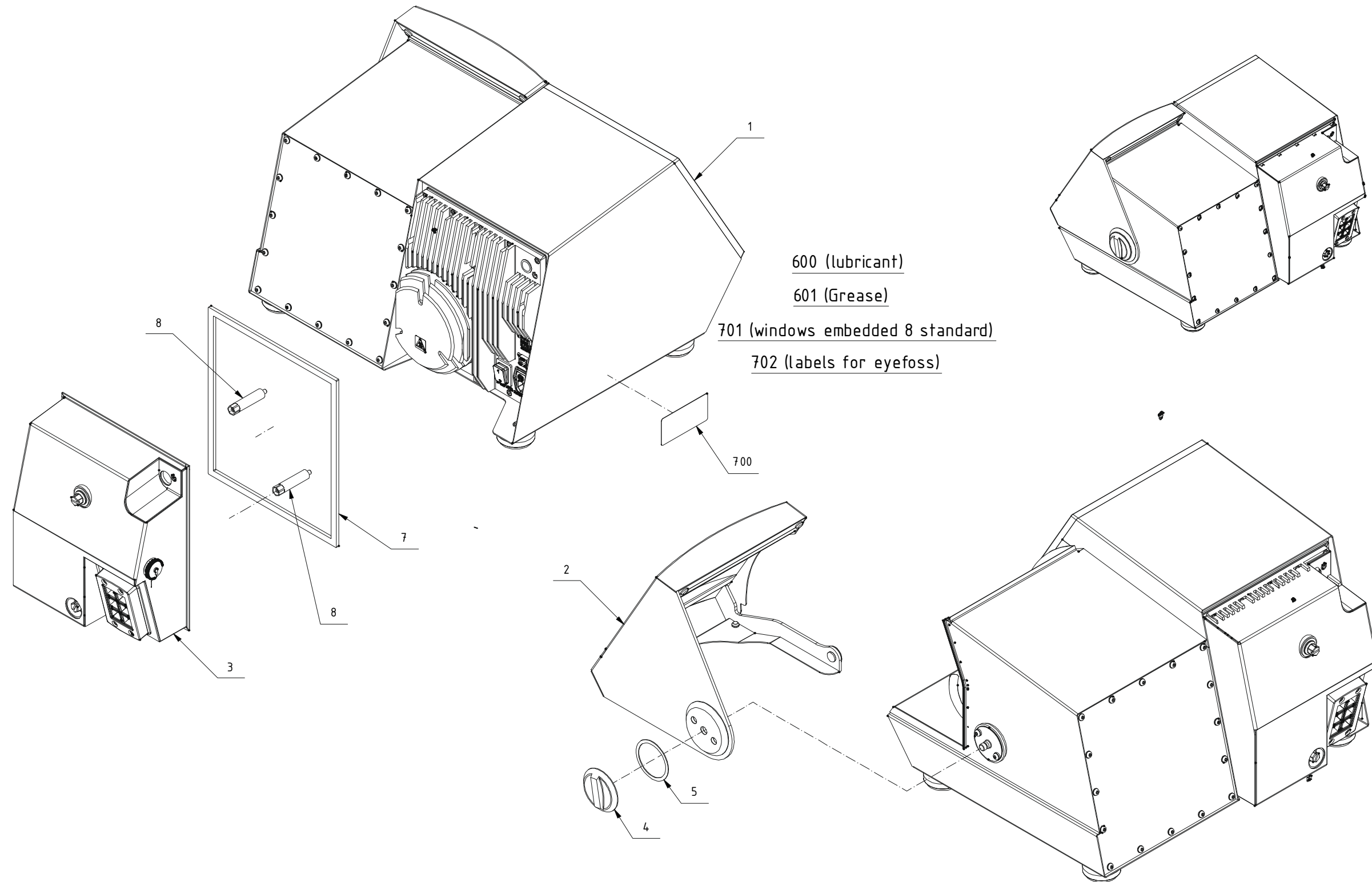
60075430 Doc. Rev:06 Doc type 70

300-3

Fig. 11

13 Basic Unit - FoodScan 2 Pro*Drawing No.: 60079309 Page: 400-1*

Pos.	Part No.	Description	Prod. No.
2	60083374		60083071

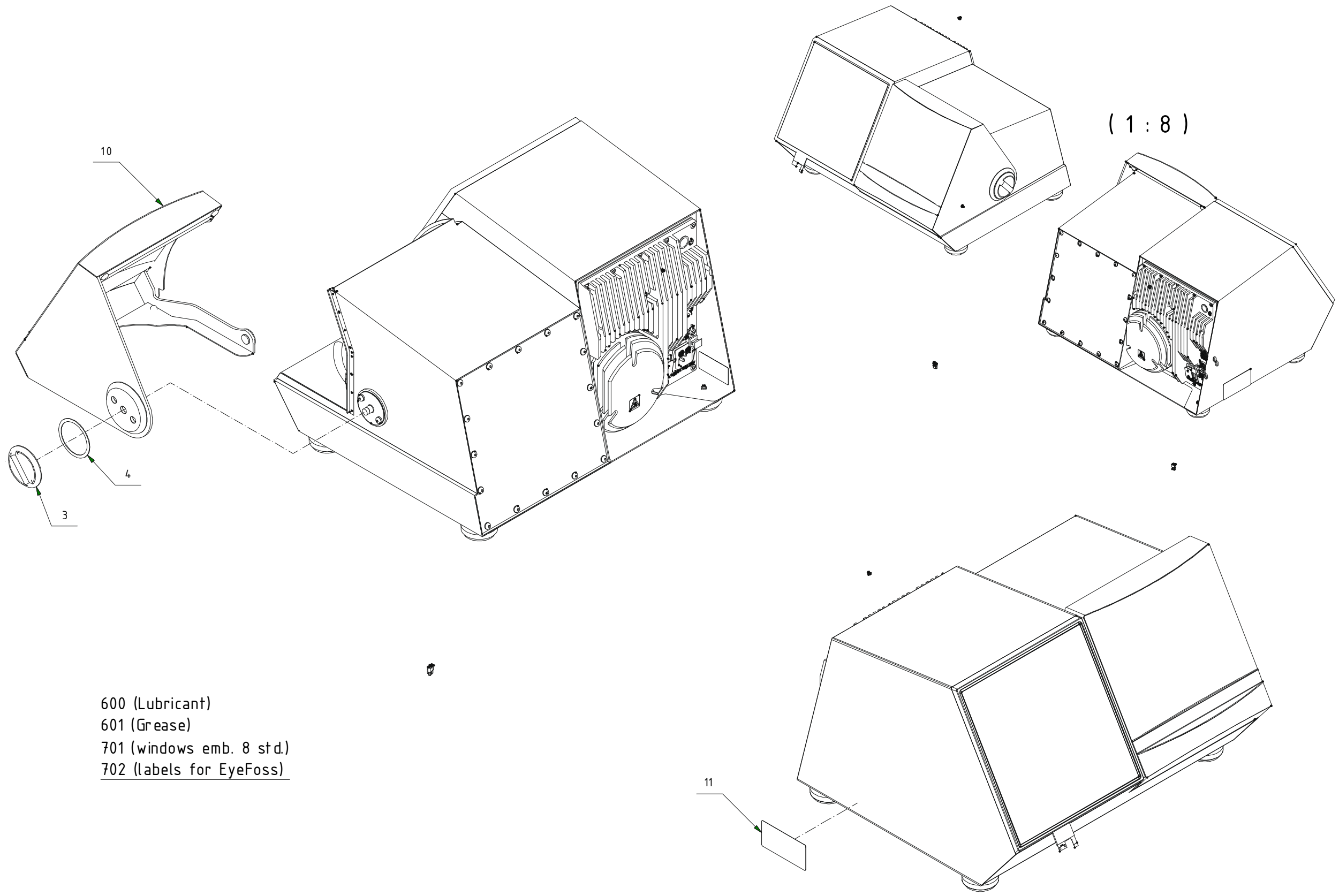


60079309 Doc. Rev.03 Doctype:70

Fig. 12

14 Basic Unit - FoodScan 2 Lab TS*Drawing No.: 60079310 Page: 450-1*

Pos.	Part No.	Description	Prod. No.
2	60083375		60083072



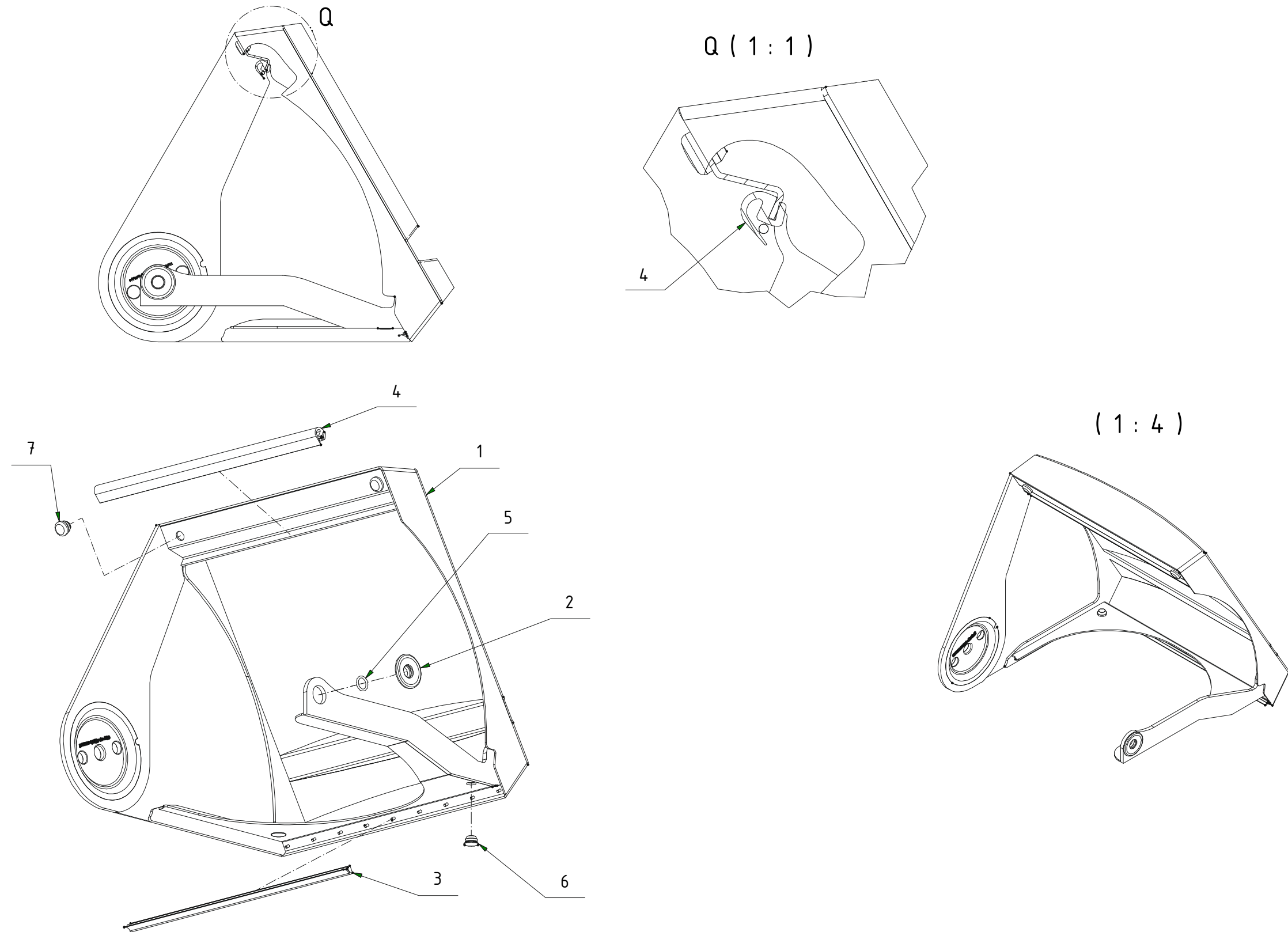
- 600 (Lubricant)
- 601 (Grease)
- 701 (windows emb. 8 std.)
- 702 (labels for EyeFoss)

60 079 310 Doc. Rev:03 Doc.type:70

Fig. 13

15 Blue Lid with Seals and Bearing*Drawing No.: 60083072 Page: 500-1*

Pos.	Part No.	Description	Prod. No.
1	60083364	Lid Blue	60079779

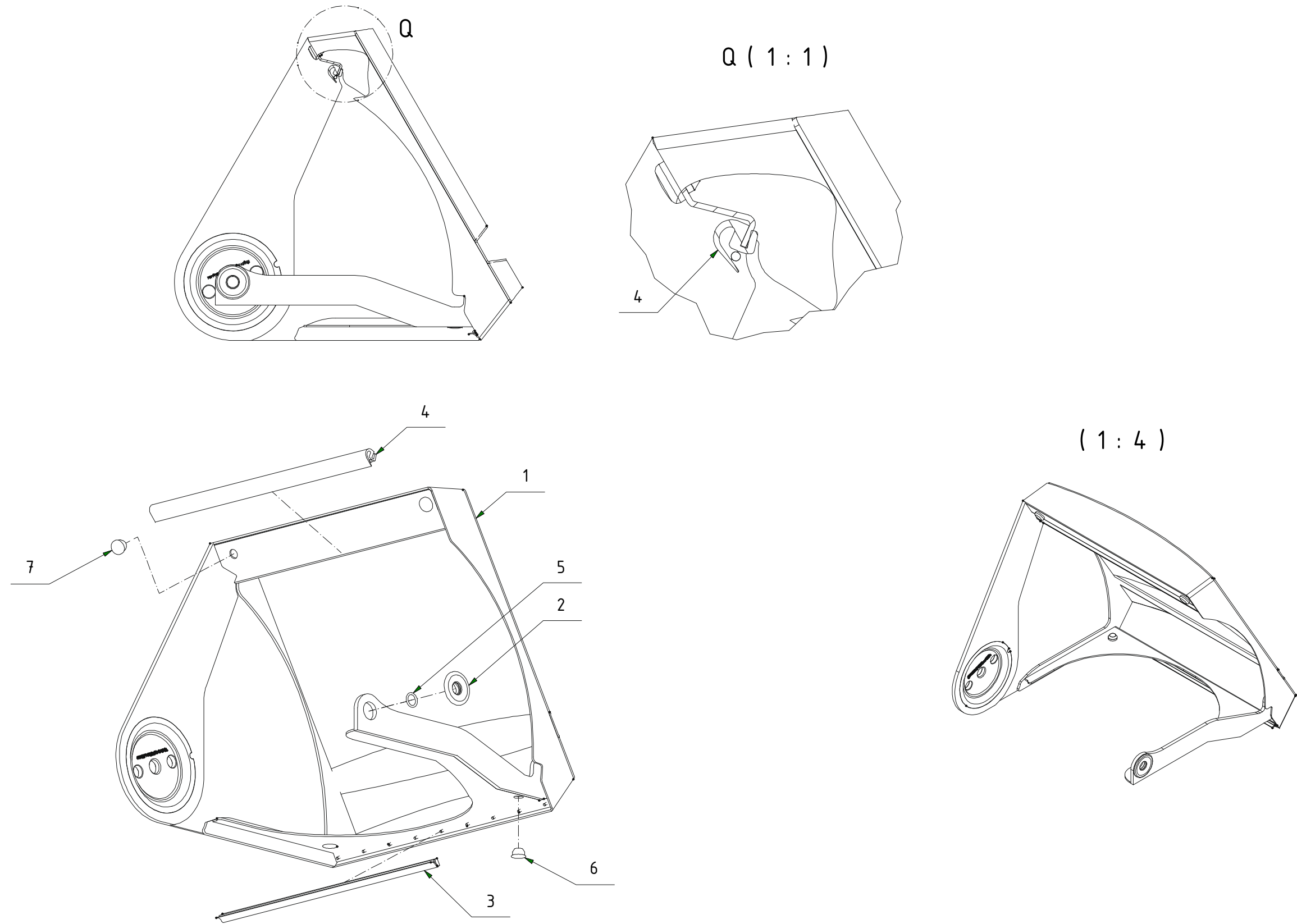


600830 72 Doc. Rev:04 Doc.type:70

Fig. 14

16 Stainless Steel Lid with Seals and Bearing*Drawing No.: 60083071 Page: 550-1*

Pos.	Part No.	Description	Prod. No.
1	60075468	Lid SS	



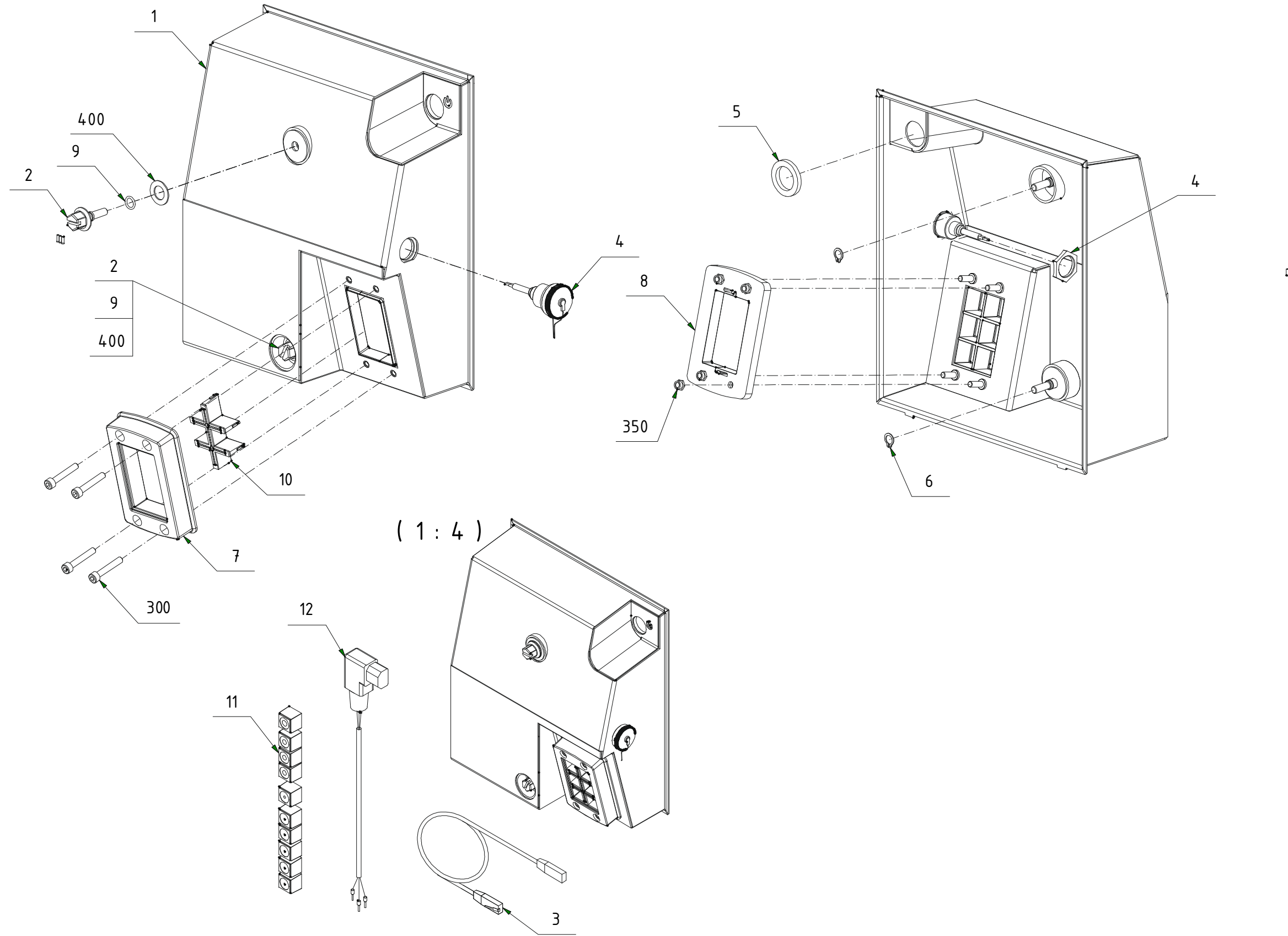
6008071 Doc. Rev.04 Doc.type:70

550

Fig. 15

17 Rear Cover - FoodScan Pro**Drawing No.:** 60079679 **Page:** 600-1

Pos.	Part No.	Description	Prod. No.
11	60084243	KDS cable entry seal kit	



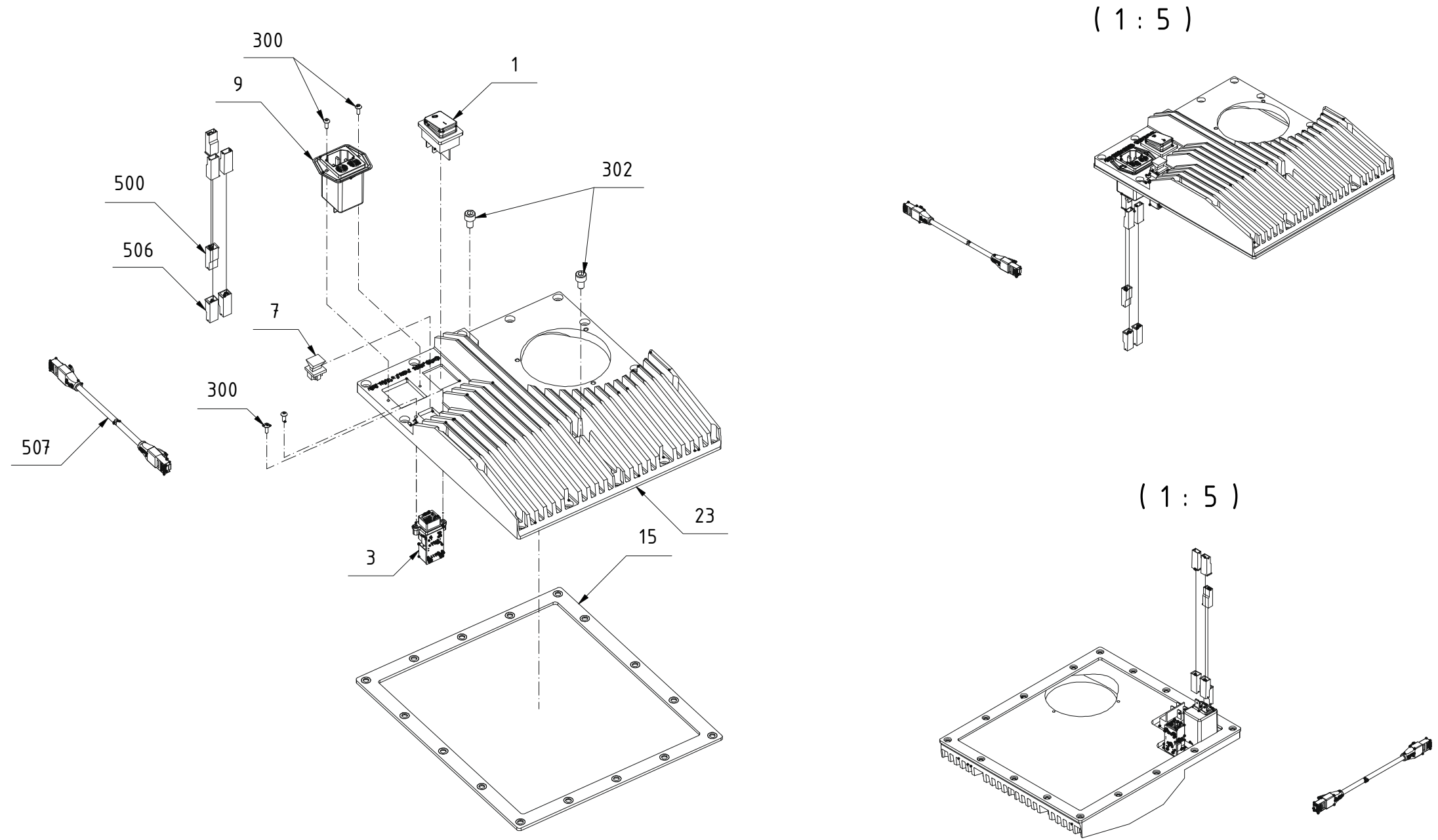
60079679 Doc. Rev.03 Doc.type:70

600

Fig. 16

18 Rear Right Side B**Drawing No.: 60081745 Page: 620-1**

Pos.	Part No.	Description	Prod. No.
3	60060764	Connector MRJ-5780-M1	
28	01030891	Fuse 2 A	



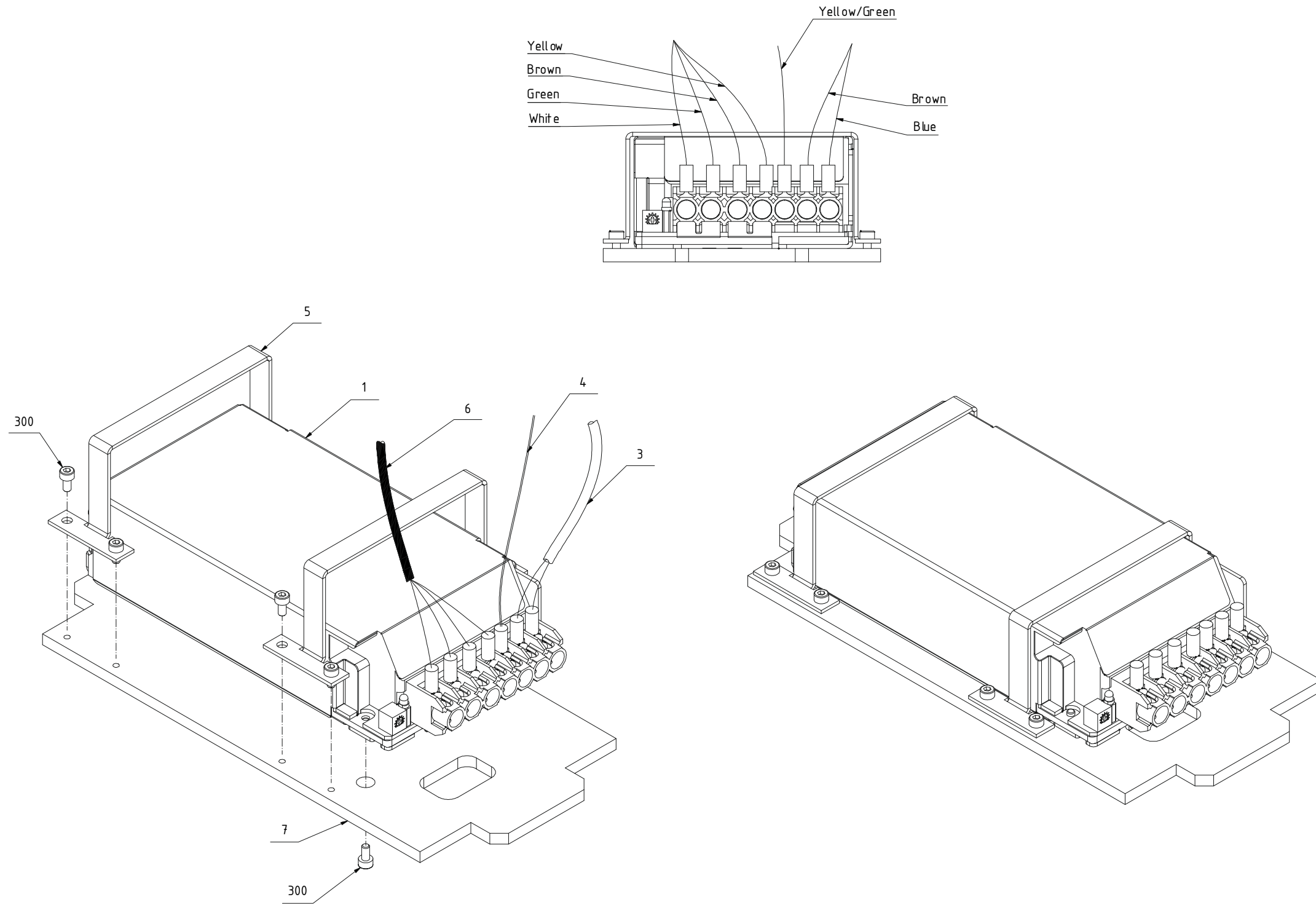
60081745 Doc. Rev:06 Doc.type:95

620

Fig. 17

19 Power Supply Unit B*Drawing No.: 60081736 Page: 640-1*

Pos.	Part No.	Description	Prod. No.
1	60075350	Power supply	



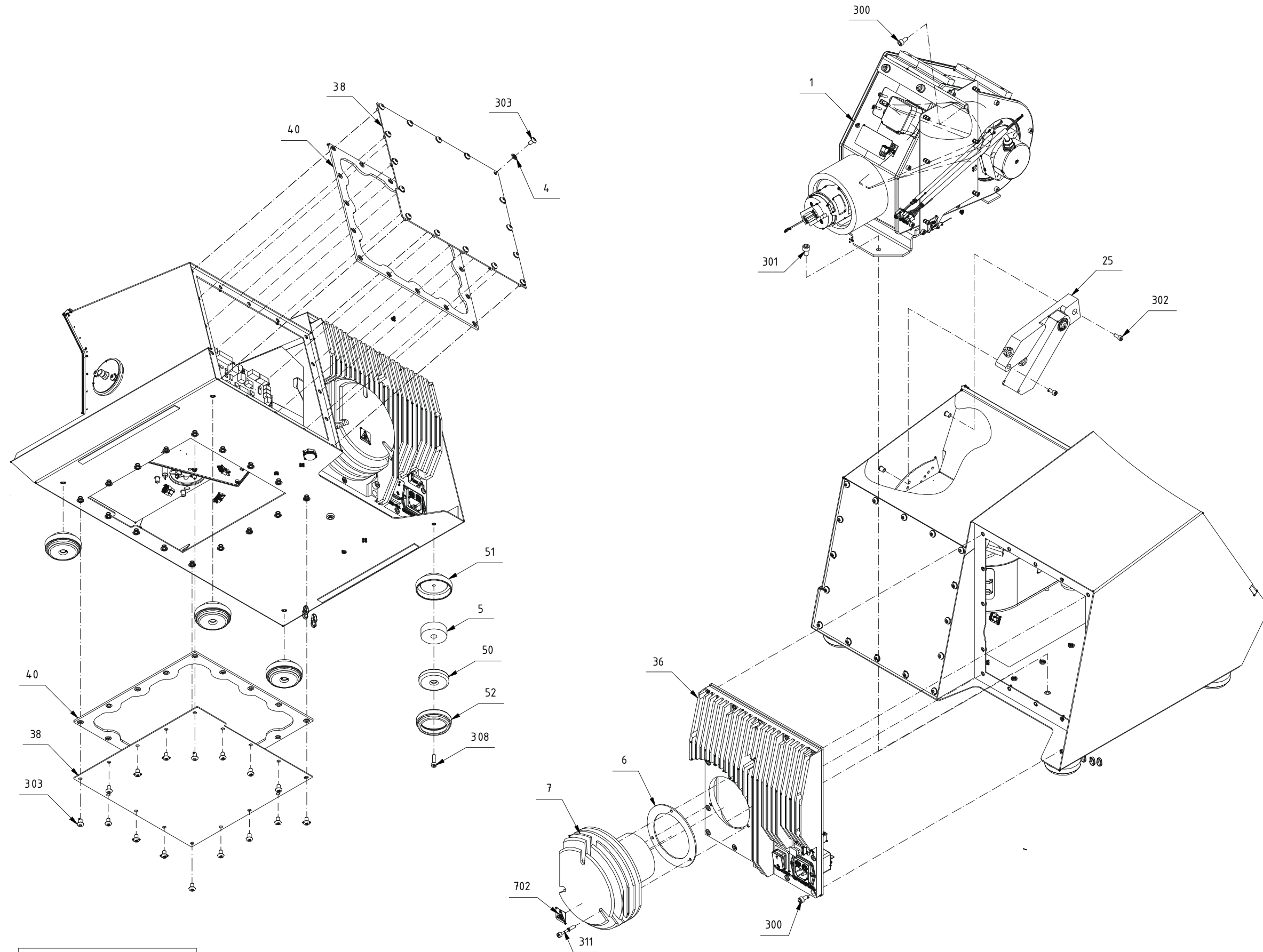
60081736 Doc. Rev.03 Doc.type:95

640

Fig. 18

20 Base Unit B**Drawing No.: 60079681 Page: 700-1**

Pos.	Part No.	Description	Prod. No.
2	60083370	Detector unit	60075141
14	60083371	SH drive unit	60076861
35	01052183	Pcb assy RGB LED PCB	
40	60079803	Rear left gasket	
47	01052351	Pcb assy Control PCB	
500	60077187	Cable RGB LED CTR	



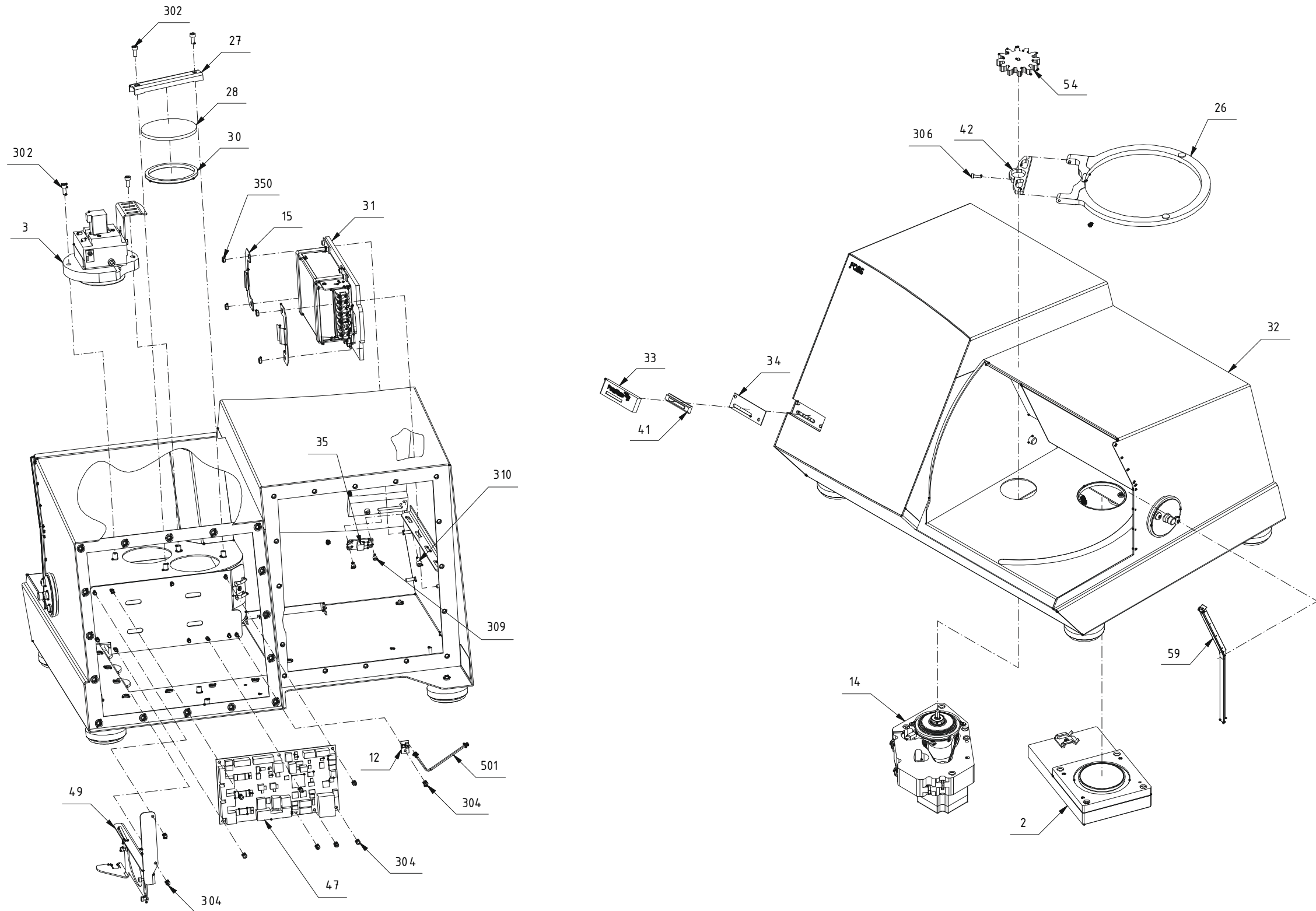
60079681 Doc Rev:04 Doc.type:70

700-1

Fig. 19

21 Base Unit B**Drawing No.: 60079681 Page: 700-2**

Pos.	Part No.	Description	Prod. No.
2	60083370	Detector unit	60075141
14	60083371	SH drive unit	60076861
35	01052183	Pcb assy RGB LED PCB	



60079681 Doc. Rev:04 Doc.type:70

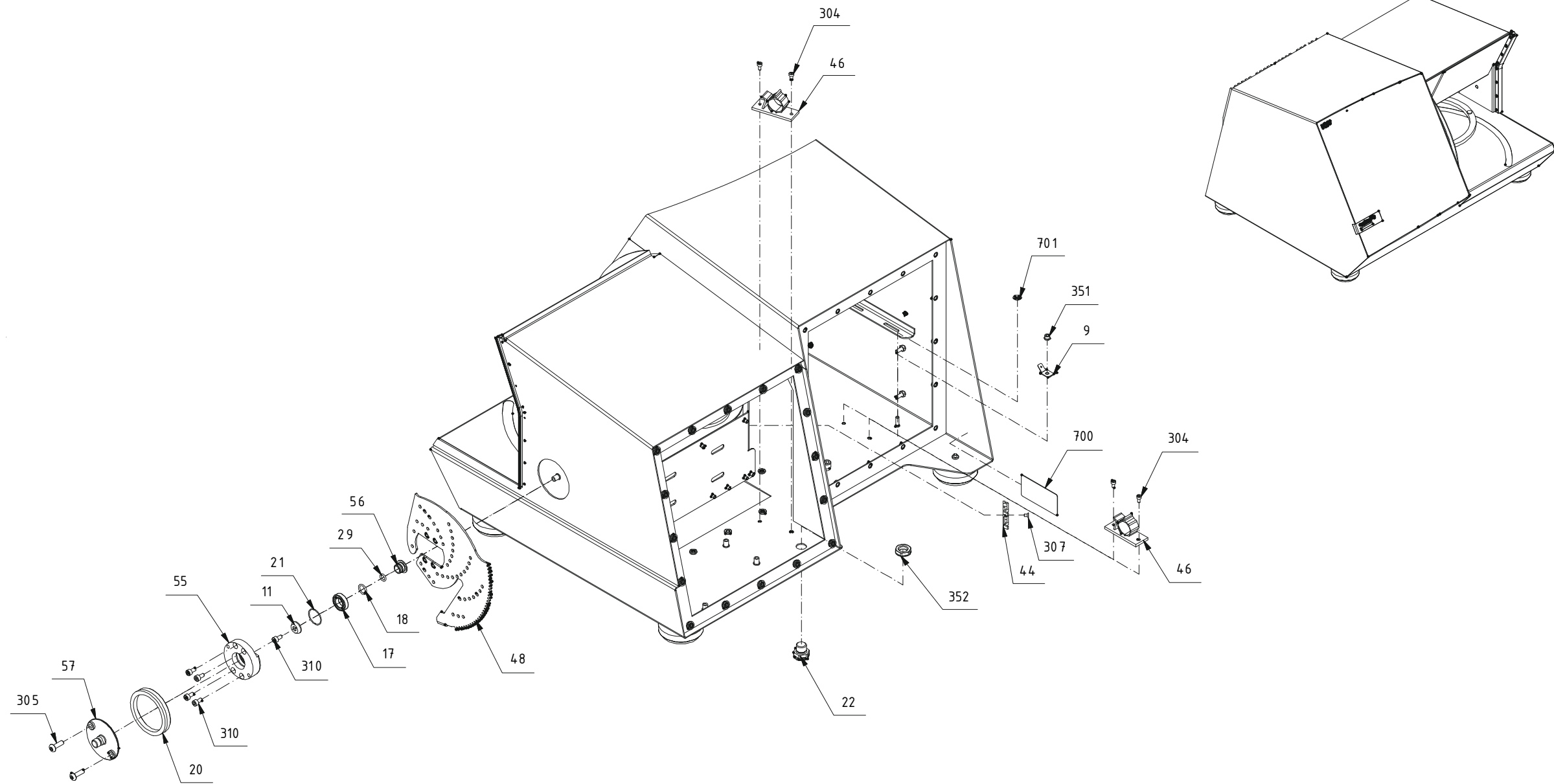
700-2

Fig. 20

22 Base Unit B*Drawing No.: 60079681 Page: 700-3*

Pos.	Part No.	Description	Prod. No.
3	60083375		60083072

(1 : 8)



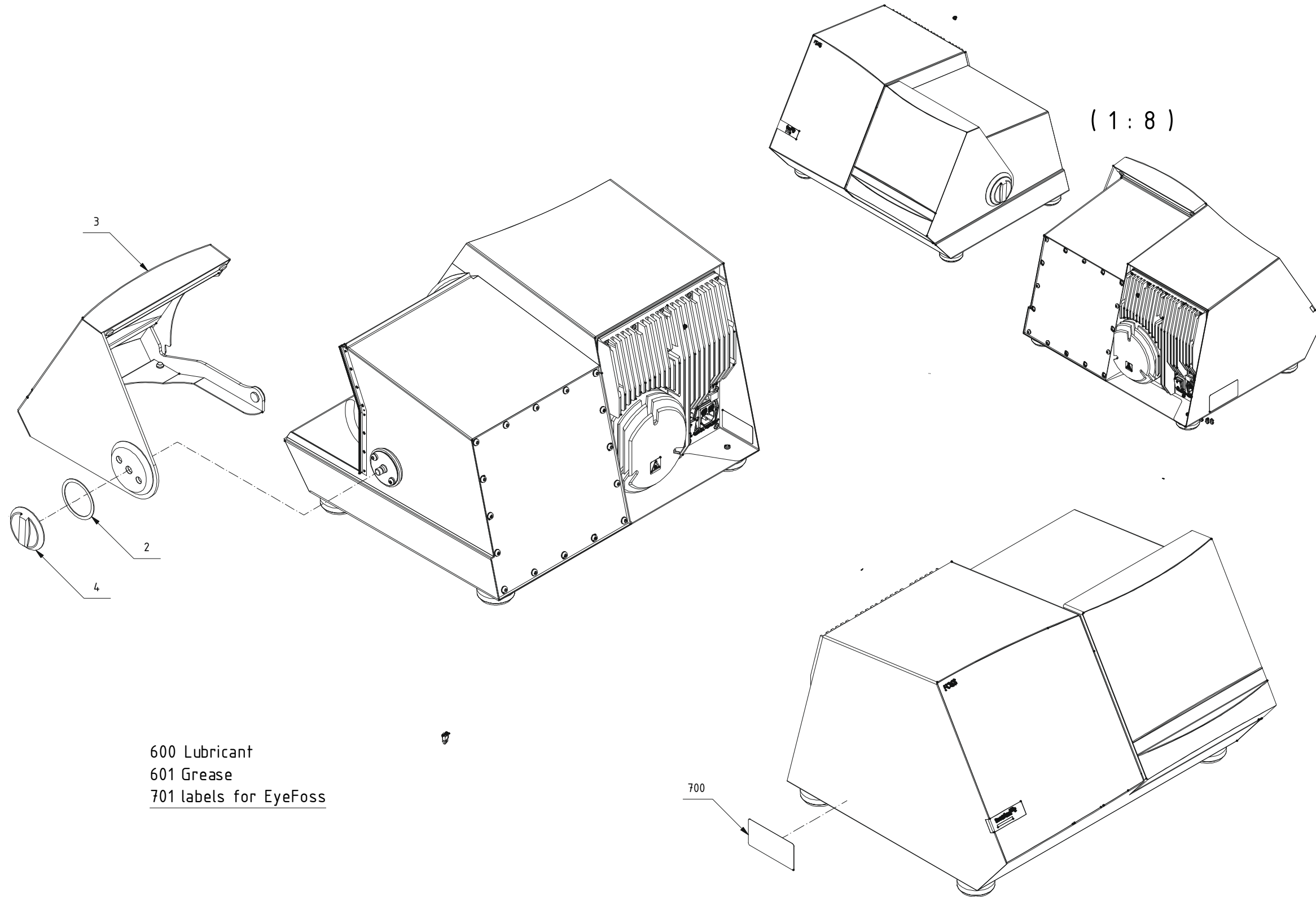
60079681 Doc. Rev:04 Doc.type:70

700-3

Fig. 21

23 Basic Unit - FoodScan 2 Lab*Drawing No.: 60079311 Page: 800-1*

Pos.	Part No.	Description	Prod. No.
3	60083375		60083072



600 Lubricant
601 Grease
701 labels for EyeFoss

60079311 Doc. Rev:03 Doc.type:70

800

Fig. 22

24 Index

Part No.	Page
00536581	12
01030122	12
01030130	12
01030131	12
01030134	12
01030891	14, 34
01052183	4, 38, 40
01052351	18, 20, 38
01052355	16
01052377	14
60044122	14
60060763	14
60060764	14, 34
60063140	4
60063141	4
60073053	10
60075108	4
60075350	8, 36
60075394	10
60075400	8
60075468	30
60075538	10
60075619	4
60076290	8
60076292	14
60076952	16
60077187	4, 38
60077230	14
60077294	4
60078337	12
60079413	18, 20
60079717	16
60079718	4, 12
60079803	18, 22, 38
60081087	16
60081991	16
60082298	14
60083364	28
60083370	18, 20, 38, 40
60083371	18, 20, 38, 40
60083372	6
60083373	14
60083374	24
60083375	26, 42, 44
60084243	32
60085763	12