

---

# Fossomatic™ 7 / 7 DC Spare Parts Manual

6007 6977 / Rev. 5



All information is liable to change without prior notice. For latest information about documentation updates for your specific instrument, please contact your local FOSS representative.

<b>Rev.</b>	<b>Date of Issue</b>	<b>Revised Material</b>
1	2016-11-14	First issue.
2	2017-03-20	General update.
3	2017-06-08	Fossomatic 7 DC added.
4	2017-12-01	Major update of drawings and spare parts.
5	2020-06-15	Major update of drawings and spare parts.

## Table of Contents

<b>1</b>	<b>General.....</b>	<b>1</b>
<b>1.1</b>	<b>Explanation of Definitions .....</b>	<b>1</b>
<b>2</b>	<b>Table of contents .....</b>	<b>2</b>
<b>3</b>	<b>Inline Filter .....</b>	<b>6</b>
<b>4</b>	<b>Pump Peristaltic .....</b>	<b>8</b>
<b>5</b>	<b>Case for PCB for VPL SCC .....</b>	<b>10</b>
<b>6</b>	<b>VPL Intake Heater.....</b>	<b>12</b>
<b>7</b>	<b>Valveblock for 3 Burkert 0127 .....</b>	<b>14</b>
<b>8</b>	<b>Valveblock for 6 Burkert 0127 2/2.....</b>	<b>16</b>
<b>9</b>	<b>VPL Module SCC .....</b>	<b>18</b>
<b>10</b>	<b>VPL Module SCC .....</b>	<b>20</b>
<b>11</b>	<b>VPL Module SCC .....</b>	<b>22</b>
<b>12</b>	<b>Flowcell and Laser Block .....</b>	<b>26</b>
<b>13</b>	<b>Flowcell Needle Inlet FC Pontos Diffuser. 28</b>	
<b>14</b>	<b>FC Pontos Long FL SCC Module .....</b>	<b>30</b>
<b>15</b>	<b>Power Supply SHP650PS24 with Cables ....</b>	<b>32</b>
<b>16</b>	<b>Cabinet.....</b>	<b>34</b>
<b>17</b>	<b>Cabinet.....</b>	<b>36</b>
<b>18</b>	<b>Main Unit .....</b>	<b>38</b>
<b>19</b>	<b>Main Unit .....</b>	<b>40</b>
<b>20</b>	<b>Radiator for RSH Chamber .....</b>	<b>42</b>
<b>21</b>	<b>RSH Preheater W Cartridge .....</b>	<b>44</b>
<b>22</b>	<b>RSH Module .....</b>	<b>46</b>

<b>23</b>	<b>RSH Module .....</b>	<b>48</b>
<b>24</b>	<b>RSH Module .....</b>	<b>50</b>
<b>25</b>	<b>FCU Pontos Long FL DSCC Module.....</b>	<b>52</b>
<b>26</b>	<b>Case for PCB for VPL DSCC .....</b>	<b>54</b>
<b>27</b>	<b>Incubation Unit .....</b>	<b>56</b>
<b>28</b>	<b>VPL Module DSCC .....</b>	<b>60</b>
<b>29</b>	<b>VPL Module DSCC .....</b>	<b>62</b>
<b>30</b>	<b>VPL Module DSCC .....</b>	<b>64</b>
<b>31</b>	<b>Main Unit.....</b>	<b>68</b>
<b>32</b>	<b>Main Unit.....</b>	<b>70</b>
<b>33</b>	<b>Pipette for 10L Container 363 mm .....</b>	<b>72</b>
<b>34</b>	<b>Dye Interface Unit.....</b>	<b>74</b>
<b>35</b>	<b>Reagent Mix Unit Automatic .....</b>	<b>76</b>
<b>36</b>	<b>Reagent Mix Unit Automatic .....</b>	<b>78</b>
<b>37</b>	<b>Manifold Reagent Mix with Valves.....</b>	<b>80</b>
<b>38</b>	<b>Reagent Mix Unit Automatic .....</b>	<b>82</b>
<b>39</b>	<b>Pipette f 2L container 260 mm .....</b>	<b>84</b>
<b>40</b>	<b>Reagent Mix Unit Manual .....</b>	<b>86</b>
<b>41</b>	<b>Waste Module Single.....</b>	<b>88</b>
<b>42</b>	<b>Waste Module Single BDL .....</b>	<b>90</b>
<b>43</b>	<b>Waste Module Double .....</b>	<b>92</b>
<b>44</b>	<b>Waste Module Double .....</b>	<b>94</b>
<b>45</b>	<b>Waste Module Double BDL .....</b>	<b>96</b>
<b>46</b>	<b>Waste Unit Cup .....</b>	<b>98</b>

---

<b>47</b>	<b>Pipette for 50L Container 548 mm .....</b>	<b>100</b>
<b>48</b>	<b>Trolley with Containers .....</b>	<b>102</b>
<b>49</b>	<b>Monitor Arm 7.....</b>	<b>104</b>
<b>50</b>	<b>Monitor Arm FM 7 plus MSC 7 RM.....</b>	<b>106</b>
<b>51</b>	<b>Index .....</b>	<b>108</b>



# 1 General

This document contains Spare Parts for Fossomatic™ 7 / 7 DC.



## **Warning**

***Please read Safety Precautions in the Service Manual prior to maintenance or exchange of spare parts.***

***The system may only be repaired by personnel certified by FOSS.***

## 1.1 Explanation of Definitions

Explanation of definitions used in this manual:

- Drawing No.                      FOSS drawing number.
- Page                                 Drawing page in FOSS database.
- Part No.                            Spare part number for ordering.
- Prod. No.                          FOSS production number.

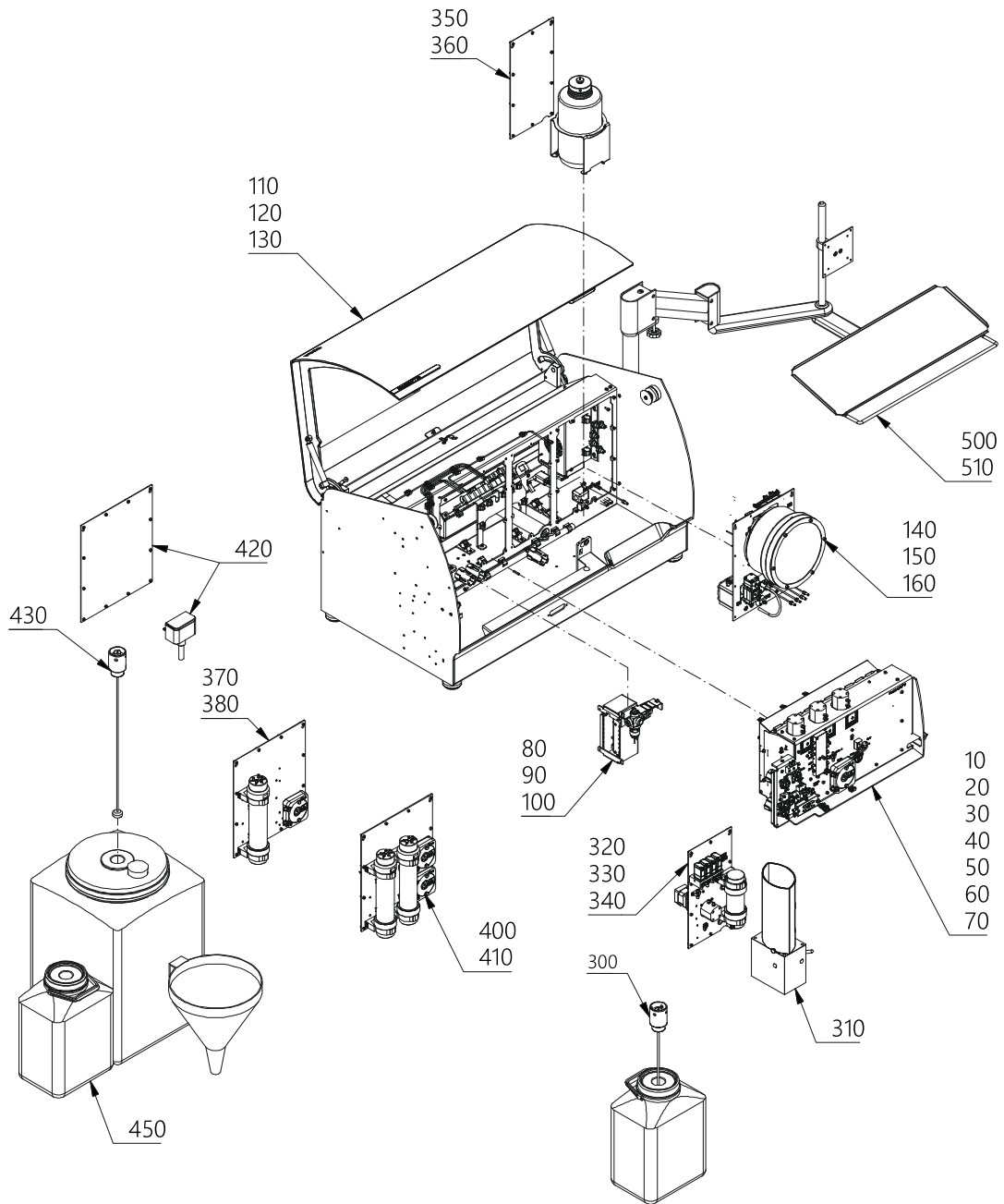
### **Note:**

When ordering new spare parts, please use the Part No. stated in this manual for the parts in question.

## 2 Table of contents

**Drawing No.: 60060000**      **Page: 1**

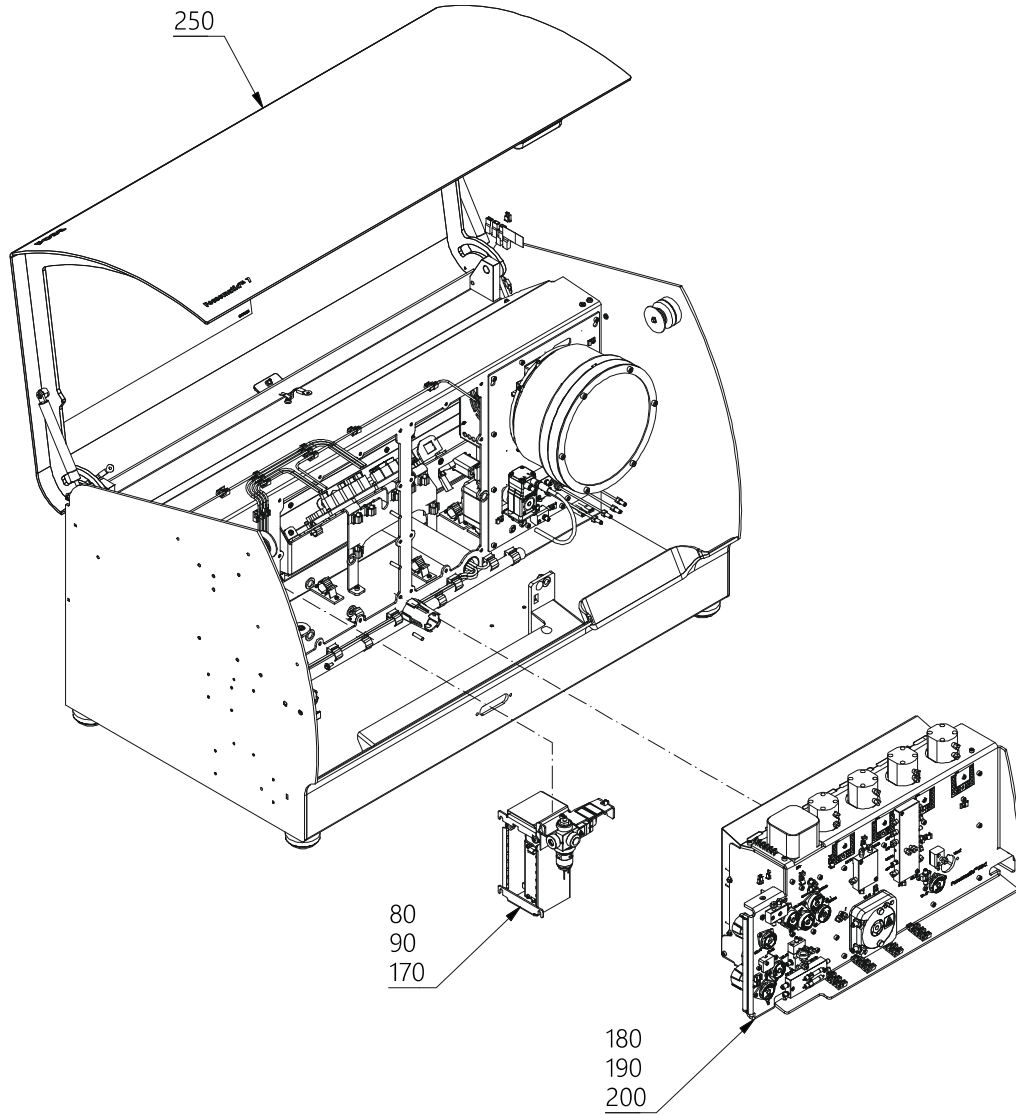
<b>Pos.</b>	<b>Description</b>
10-1	Inline filter FM7 assy
20-1	Pump peristaltic for Fossomatic 7
30-1	Case for PCB for VPL SCC assy
40-1	VPL intake heater assy
50-1	Valveblock for 3 burkert 0127 assy
60-1	Valveblock for 6 burkert 0127 2/2 assy
70-1	VPL module SCC assy
70-2	VPL module SCC assy
70-3	VPL module SCC assy
80-1	Flowcell and laser block assy
90-1	Flowcell needle inlet FC Pontos diffuser
100-1	FC Pontos long FL SCC module
110-1	Power Supply SHP650PS24 with cables assy
120-1	Cabinet FM7 assy
120-2	Cabinet FM7 assy
130-1	Main Unit Fossomatic 7
130-2	Main Unit Fossomatic 7
140-1	Radiator for RSH chamber cpl
150-1	RSH Preheater w cartridge assy
160-1	RSH Module assy
160-2	RSH Module assy
160-3	RSH Module assy
170-1	FCU Pontos long FL DSCC module assy
180-1	Case for PCB for VPL DSCC assy
190-1	Incubation Unit
200-1	VPL module DSCC assy
200-2	VPL module DSCC assy
200-3	VPL module DSCC assy
250-1	Main Unit Fossomatic 7 DC
250-2	Main Unit Fossomatic 7 DC
300-1	Pipette f 10L container 363 mm assy
310-1	Dye interface unit
320-1	Reagent mix Unit automatic assy
320-2	Reagent mix Unit automatic assy
330-1	Manifold reagent mix with valves
340-1	Reagent mix unit automatic bdl
350-1	Pipette f 2L container 260 mm assy
360-1	Reagent mix unit manual bdl
370-1	Waste module single assy
380-1	Waste module single bdl
400-1	Waste module double assy
400-2	Waste module double assy
410-1	Waste module double bdl
420-1	Waste Unit Cup bdl
430-1	Pipette f 50L container 548 mm assy
450-1	Trolley w Containers f Fossomatic 7
500-1	Monitor Arm 7
510-1	Monitor arm FM7+Msc7RM



60060000 Doc. Rev:03 Doc.type:95

Fig. 1

This page is intentionally left blank.



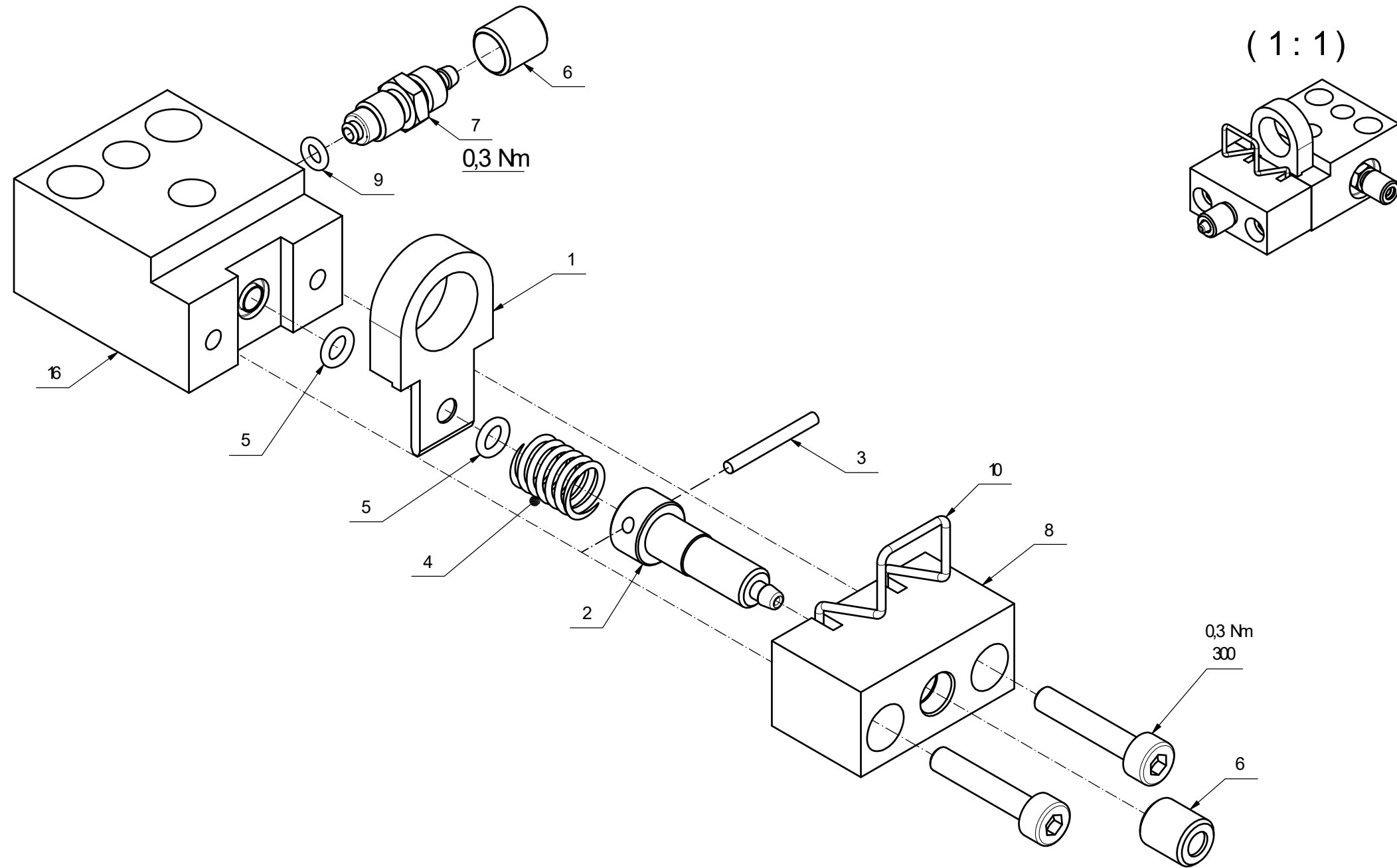
60060000 Doc. Rev:03 Doc.type:95

*Fig. 2*

### **3 Inline Filter**

**Drawing No.: 60067372      Page: 10-1**

<b>Pos.</b>	<b>Part No.</b>	<b>Description</b>	<b>Prod. No.</b>
1	60078157	Filter 100μ/ø3 cpl	60071715
2	60070569	Piston for Polly	
3	00477471	Pin	
4	60071721	Spring Ø0.8/Dm6.3/15.5 Lesjofors 5942	
5	00198499	O-ring Ø003.00xØ1.00 Nitrile p5	
6	00219121	Union	
7	00530295	Stub	
8	60071714	Piston house	
9	00349407	O-ring Ø002.30xØ0.90 NBR 70shore	
10	01010887	Opening arm	



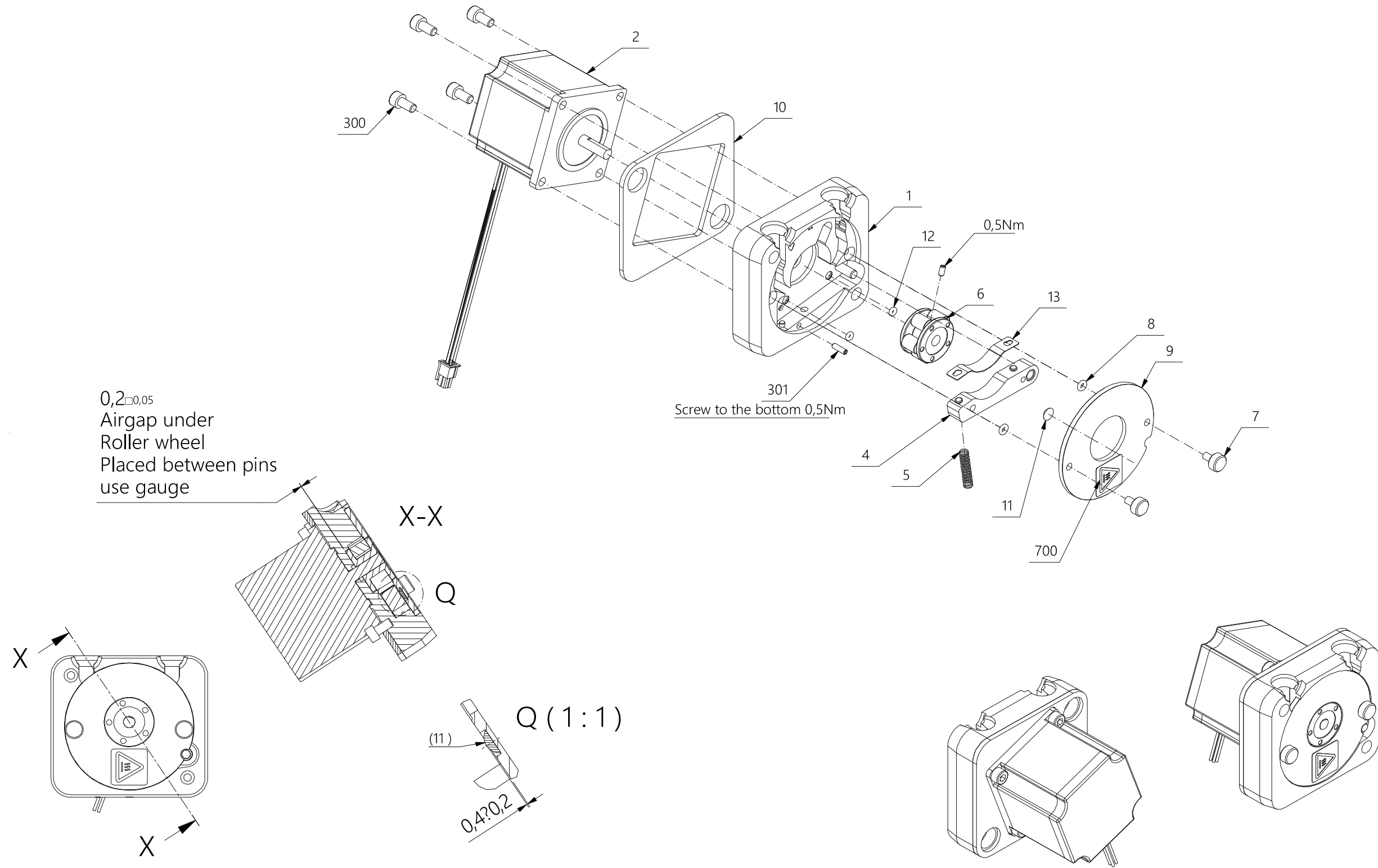
60067372 Doc. Rev:05 Doc.type:70

Fig. 3

## 4 Pump Peristaltic

**Drawing No.:** 60061145      **Page:** 20-1

<b>Pos.</b>	<b>Part No.</b>	<b>Description</b>	<b>Prod. No.</b>
2	60061206	Motor step ML23HS L=280 #4x0,5 cpl	
4	60061796	Yoke for peristaltic pump for Polly	
5	60024144	Pressure spring	
6	60074129	Roller wheel cpl	
6-2	00144592	Allen screw M3x6 MSP	
7	00503797	Screw	
8	00054007	O-ring	
9	60061531	Lid for peristaltic pump	
11	00433698	Rubber Pad	
12	00243667	O-ring ø001.78øx1.78 Viton 80 Shore	
13	00495085	Band	
300	00231837	Allen screw M5x10	
700	10006693	Label - Warning hot surface	

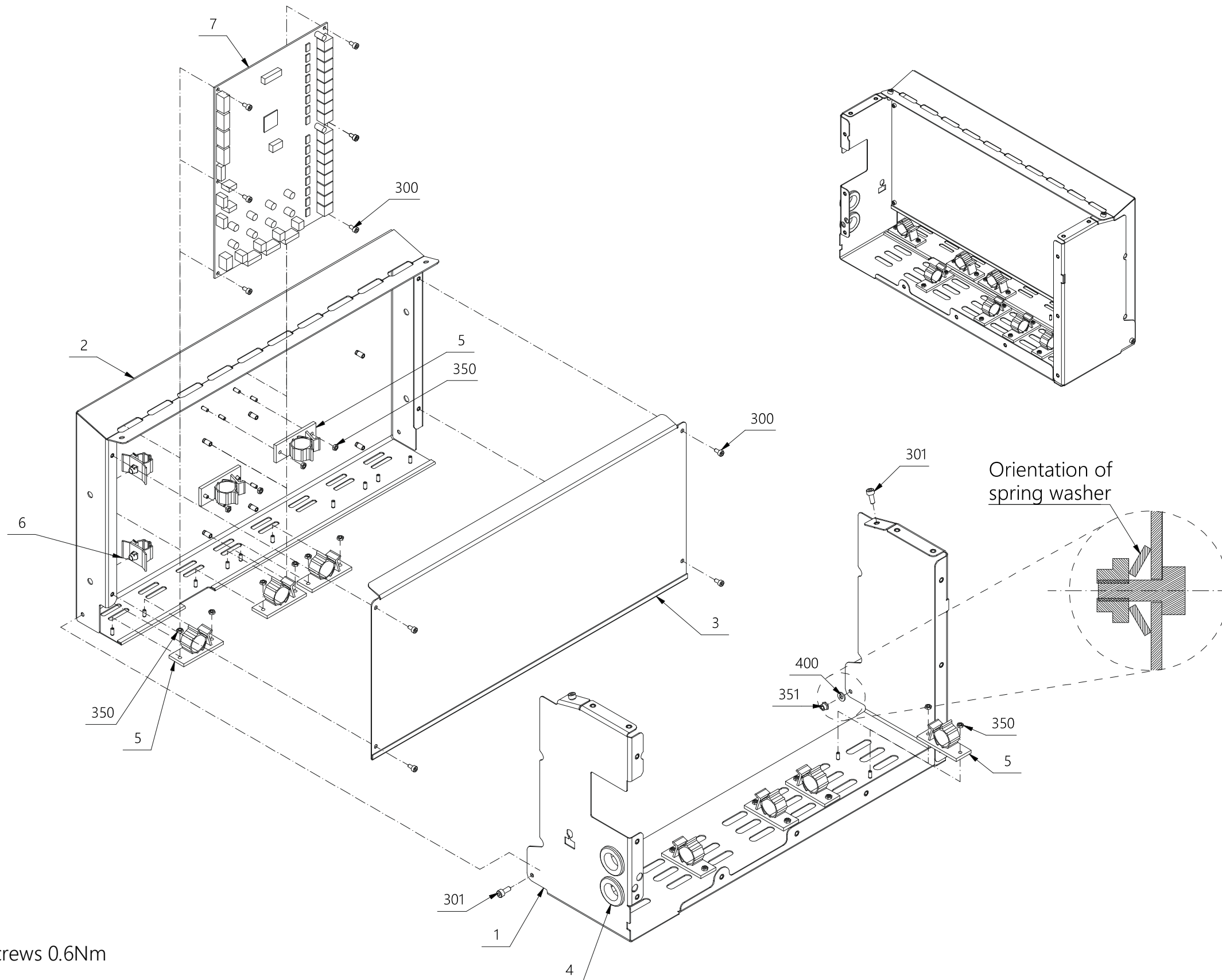


60061145 Doc. Rev:08 Doc.type:95

Fig. 4

**5 Case for PCB for VPL SCC****Drawing No.: 60067408****Page: 30-1**

<b>Pos.</b>	<b>Part No.</b>	<b>Description</b>	<b>Prod. No.</b>
4	00231332	Bush	
7	01052181	Pcb assy Flow Control PCB FM7	
300	00227348	Allen screw M03.0x006	
301	00011569	Allen screw M4x10	
350	00153403	Nut	
351	00111872	Nut lock M04.0 SS	
400	60049056	Washer conical spring ø04.3/09-1.00	



All M3 nuts and screws 0.6Nm

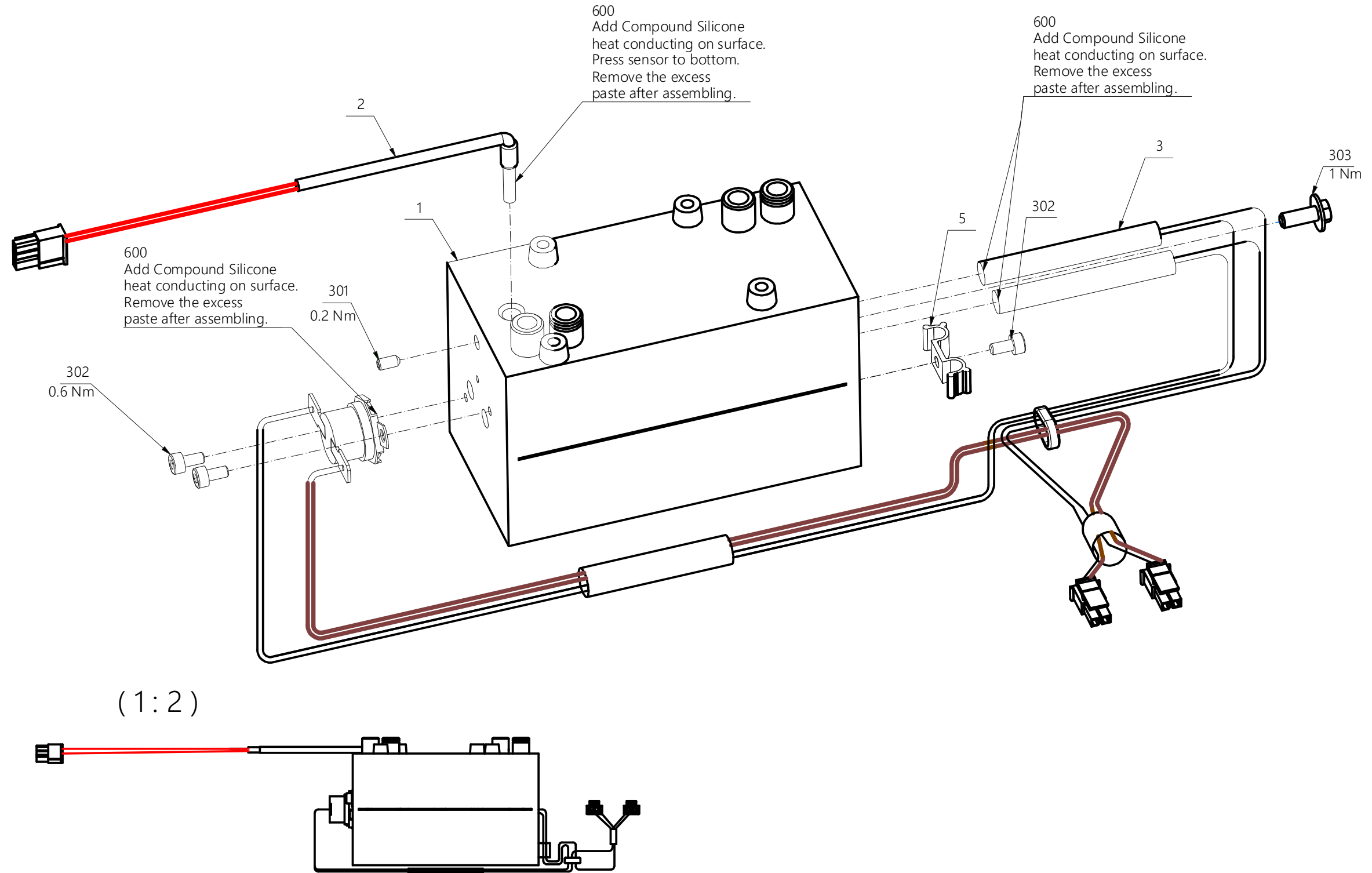
60067408 Doc. Rev.06 Doc.type95

Fig. 5

## 6 VPL Intake Heater

*Drawing No.: 60067358*      *Page: 40-1*

<b>Pos.</b>	<b>Part No.</b>	<b>Description</b>	<b>Prod. No.</b>
1	60067084	VPL intake heater cpl	
2	60064326	NTC 3mm. FOSS L=450 # 2x0,25	
3	60079344	VPL intake heater cartridges cpl	
301	00144592	Allen screw M3x6 MSP	
302	00227348	Allen screw M03.0x006	
600	00060251	Silic. Comp.	

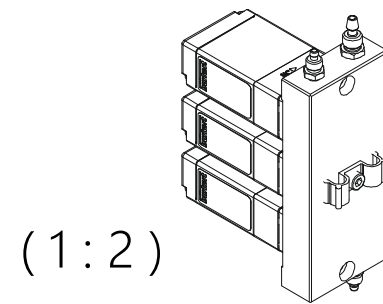
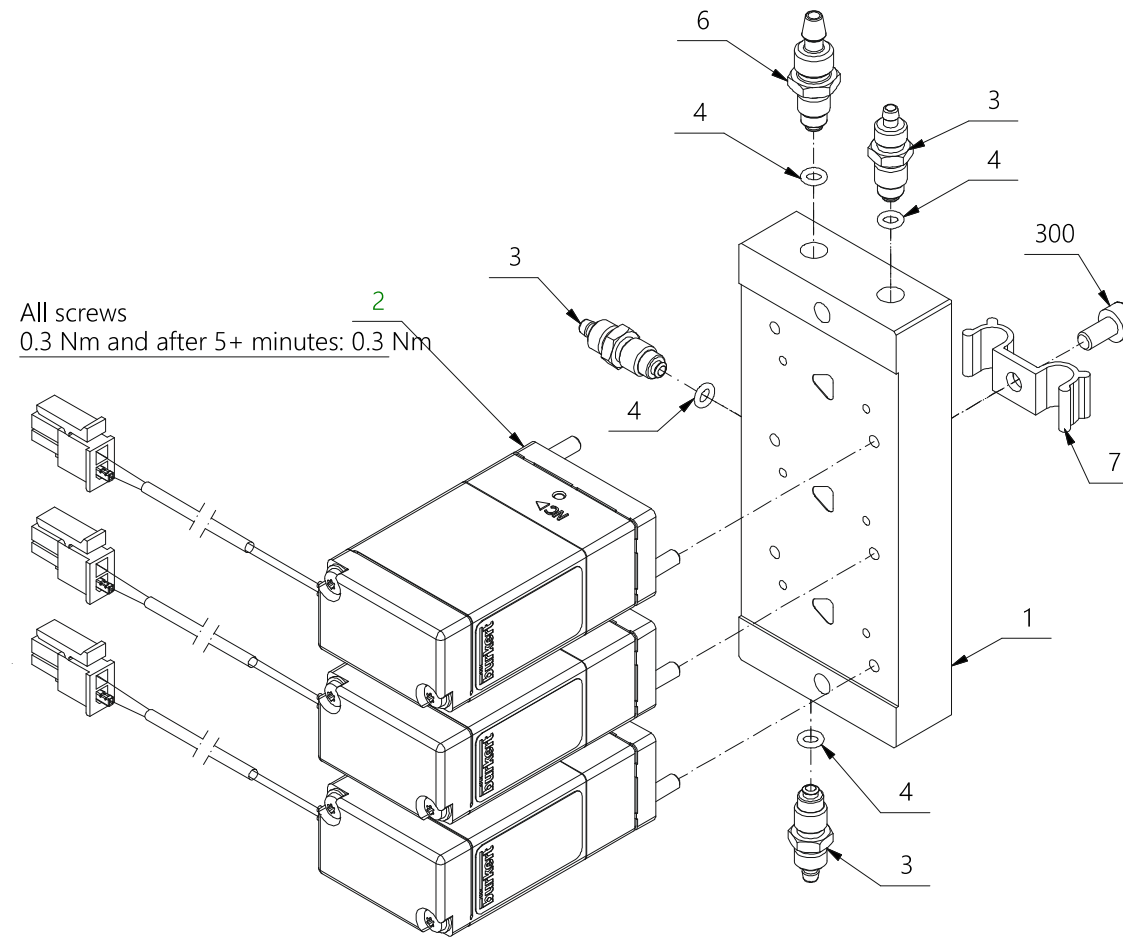


60067358 Doc.Rev:11 Doc.type:95

Fig. 6

**7 Valveblock for 3 Burkert 0127****Drawing No.: 60067330 Page: 50-1**

<b>Pos.</b>	<b>Part No.</b>	<b>Description</b>	<b>Prod. No.</b>
2	60069789	Valve 2/2 NC Bürkert L600 #2x0,25 cpl	
3	00530295	Stub	
4	00349407	O-ring Ø002.30xØ0.90 NBR 70shore	
6	60045119	Hose Connection (Ø1,8)	

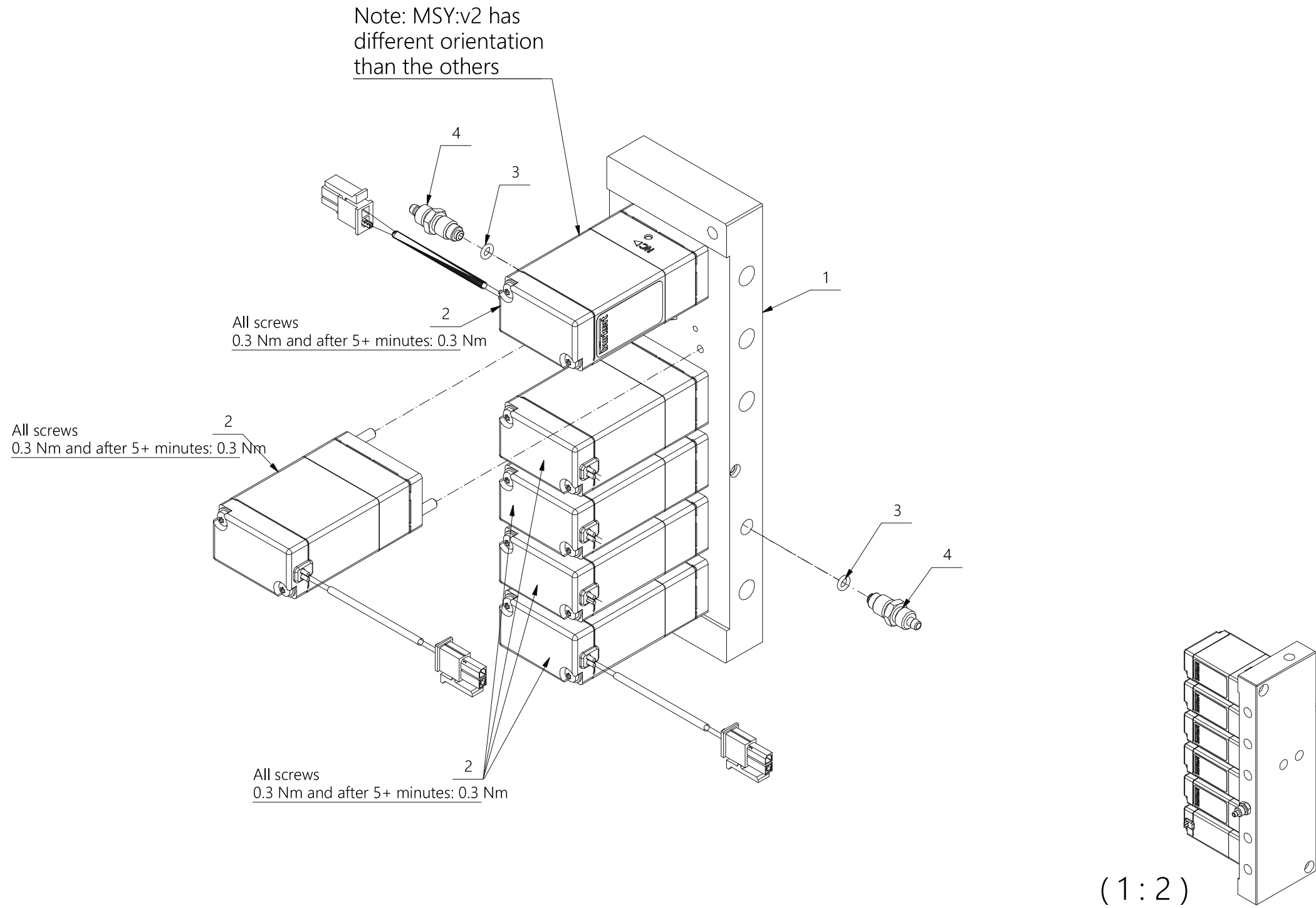


60067330 Doc. Rev:06 Doc.type:95

Fig. 7

**8 Valveblock for 6 Burkert 0127 2/2****Drawing No.: 60067559 Page: 60-1**

<b>Pos.</b>	<b>Part No.</b>	<b>Description</b>	<b>Prod. No.</b>
1	60072596	Valveblock for 6 Bürkert 0127 valves 2/2	
2	60069789	Valve 2/2 NC Bürkert L600 #2x0,25 cpl	
3	00349407	O-ring Ø002.30xØ0.90 NBR 70shore	
4	00530295	Stub	



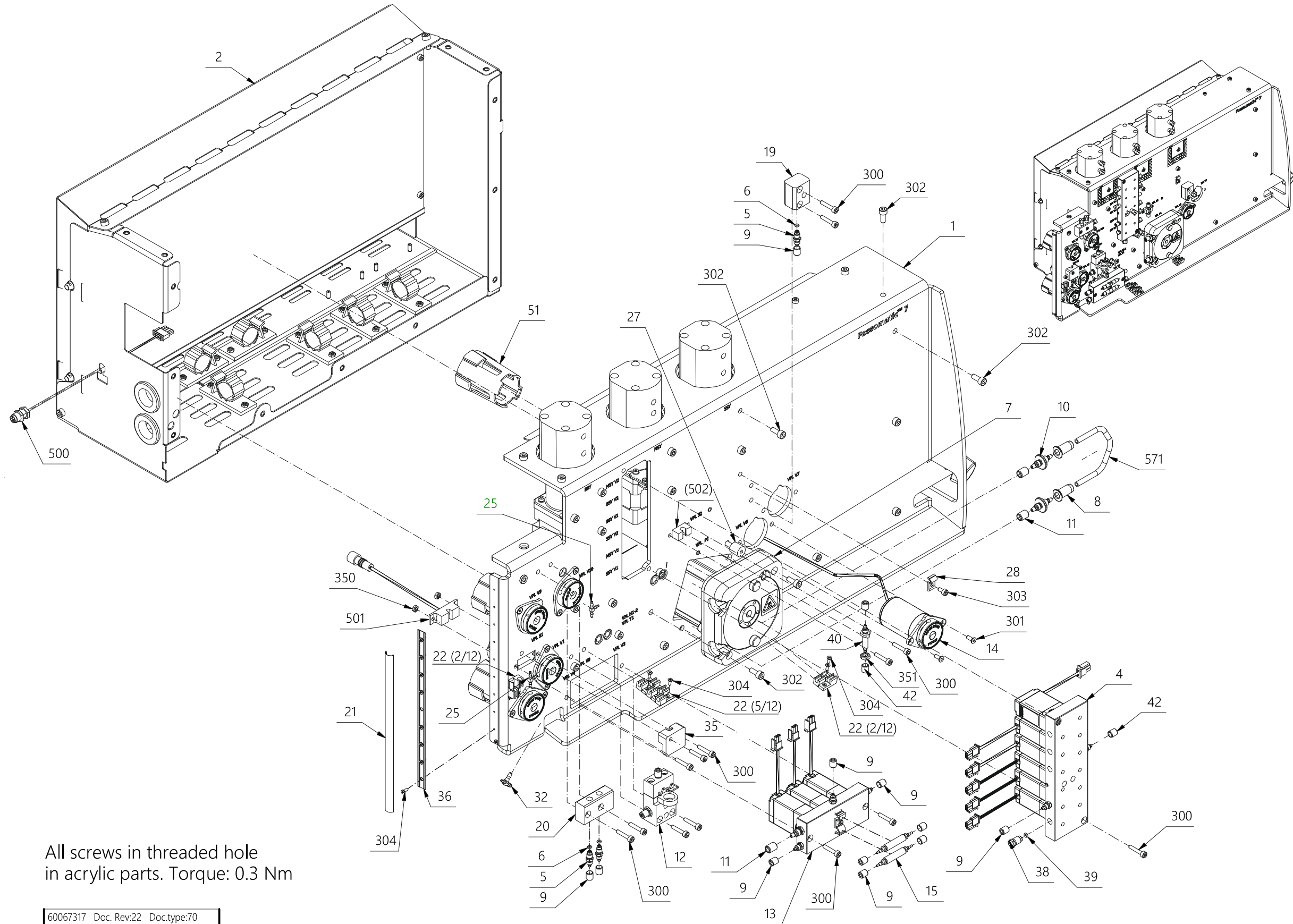
60067559 Doc. Rev.05 Doc.type:95

Fig. 8

## 9 VPL Module SCC

**Drawing No.:** 60067317      **Page:** 70-1

<b>Pos.</b>	<b>Part No.</b>	<b>Description</b>	<b>Prod. No.</b>
5	00530295	Stub	
6	00349407	O-ring Ø002.30xØ0.90 NBR 70shore	
9	00219121	Union	
11	60091957	Union M06x0.75 ø04.60 alu red	
12	60067372	Inline filter FM7 assy	
14	60064289	Valve pinch gap 1.15 blue L=600-2x0.25	
15	60069881	Throttle long	
19	60072677	Flowblock x-piece 2 silicone 1 teflon	
20	60067377	Flowblock combined T-piece and silicone	
32	60072658	T-piece	
35	60074437	Cover f sensor optical Ø1/8" tube	
38	60074328	Hose Connection 1/4" -28 UNF blind	
40	60061391	Tube for optical sensor	
51	60092349	Shield for pinch valve	
304	60073994	Screw Torx M02.0x006 MK A2	
500	60075218	Cable sensor optical bulkhead to pcb cpl	
501	60080334	Sensor optical Ø1/8" tube M8 4-way L=100	
571	00400754	Marprene Ø2.8/4.4	



All screws in threaded hole  
in acrylic parts. Torque: 0.3 Nm

60067317 Doc. Rev:22 Doc.type:70

Fig. 9

**10 VPL Module SCC****Drawing No.: 60067317      Page: 70-2**

<b>Pos.</b>	<b>Part No.</b>	<b>Description</b>	<b>Prod. No.</b>
16-2	60078152	Pump displacement IDEX VFP-2500µl cpl	60067741
16-3	60069860	Foam for bracket for IDEX disp. pump	
17-2	60078158	Pump displacement IDEX VFP-250µl cpl	60067748
17-3	60069860	Foam for bracket for IDEX disp. pump	
18	60084738	Damper pad ø015.00x01.00 EPDM 70 w. glue	
23	60093481	Lock wing head	
24	00557488	Lock washer	
502	60078151	Sensor optical liquid tube Ø4.70 cpl	60067278

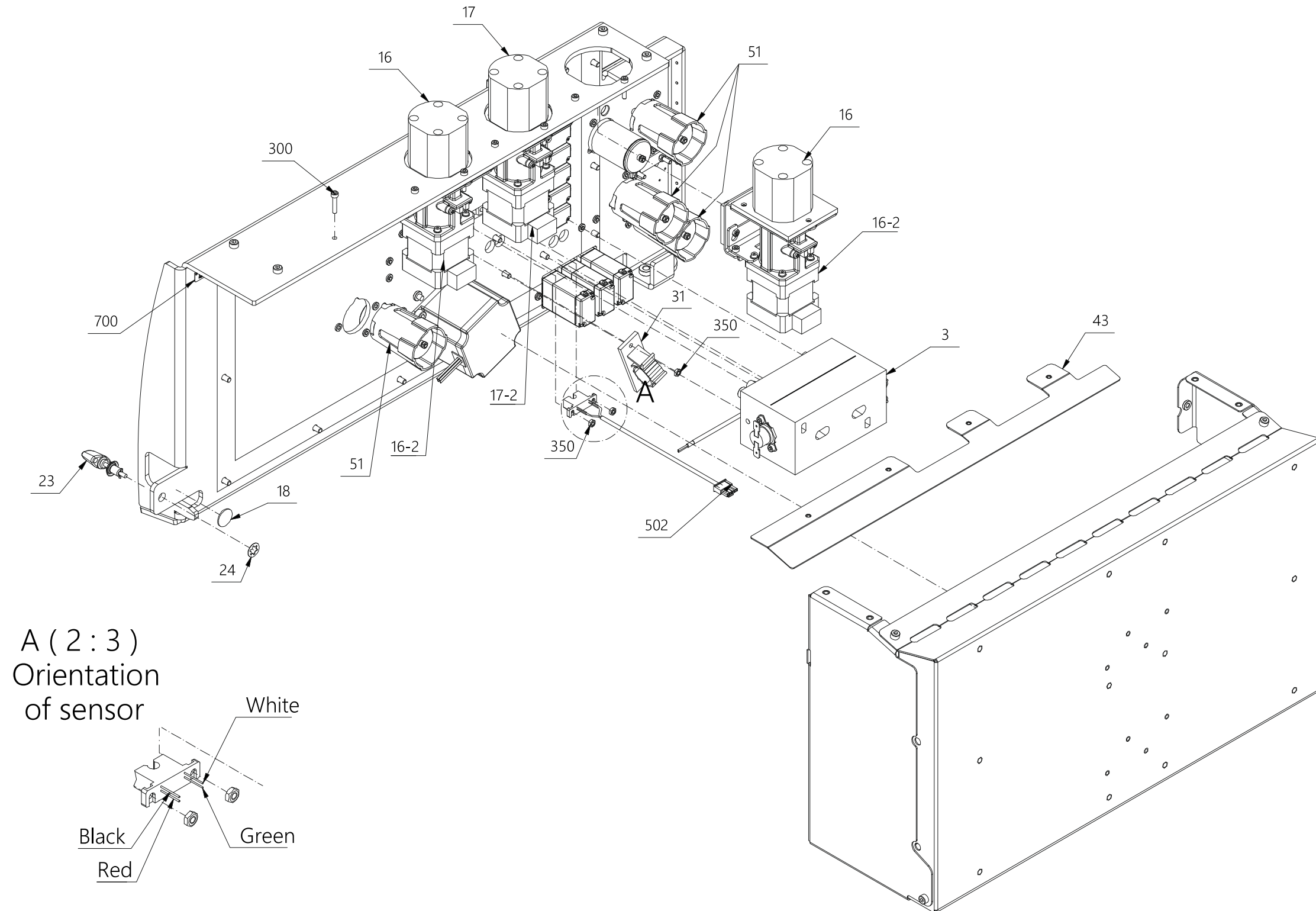


Fig. 10

60067317 Doc. Rev.22 Doc.type:70

## 11 VPL Module SCC

**Drawing No.:** 60067317      **Page:** 70-3

Pos.	Part No.	Description	Prod. No.
550	60068357	Tube ø01.00/ø01/16" PTFE L=0100mm assy	
551	60068356	Tube ø01.00/ø01/16" PTFE L=0150mm assy	
552	60068355	Tube ø01.00/ø01/16" PTFE L=0200mm assy	
553	60063890	Tube ø01.00/ø01/16" PTFE L=0250mm assy	
554	60074237	Tube ø001.20/ø01,8 PTFE L=0080mm assy	
555	60073364	Tube ø01.60/ø01/08" PTFE L=0140mm assy	
556	60064458	Tube ø1/8"/ø1,6 PTFE L=300mm. assy.	
557	60064457	Tube ø1/8"/ø1,6 PTFE L=210mm. assy.	
558	00123182	Silic. Ø1/3	
559	00123182	Silic. Ø1/3	
560	00123182	Silic. Ø1/3	
561	00123182	Silic. Ø1/3	
562	00123182	Silic. Ø1/3	
563	60045808	Tube øø 01.4/03.1 Silicone	00101287
564	60045808	Tube øø 01.4/03.1 Silicone	00101287
565	60045808	Tube øø 01.4/03.1 Silicone	00101287
566	60055301	PVC Ø2.5/4.5 Blue	00528570
567	60055301	PVC Ø2.5/4.5 Blue	00528570
568	60045809	Tube ø1.60/ø03.20 Tygon	00183103
570	60074962	Tube øø 02.06/03.74 Tygon 2001	60074791

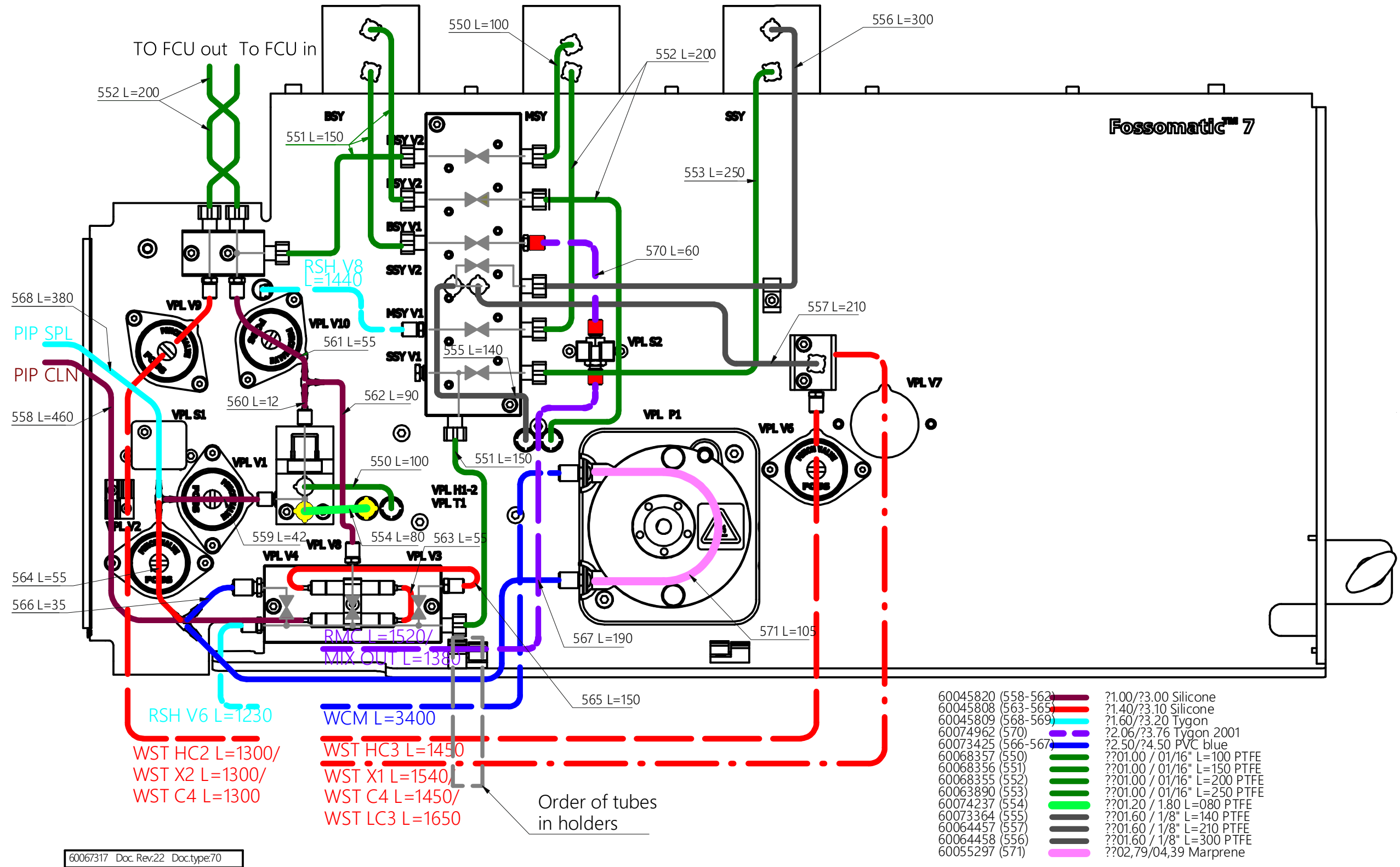
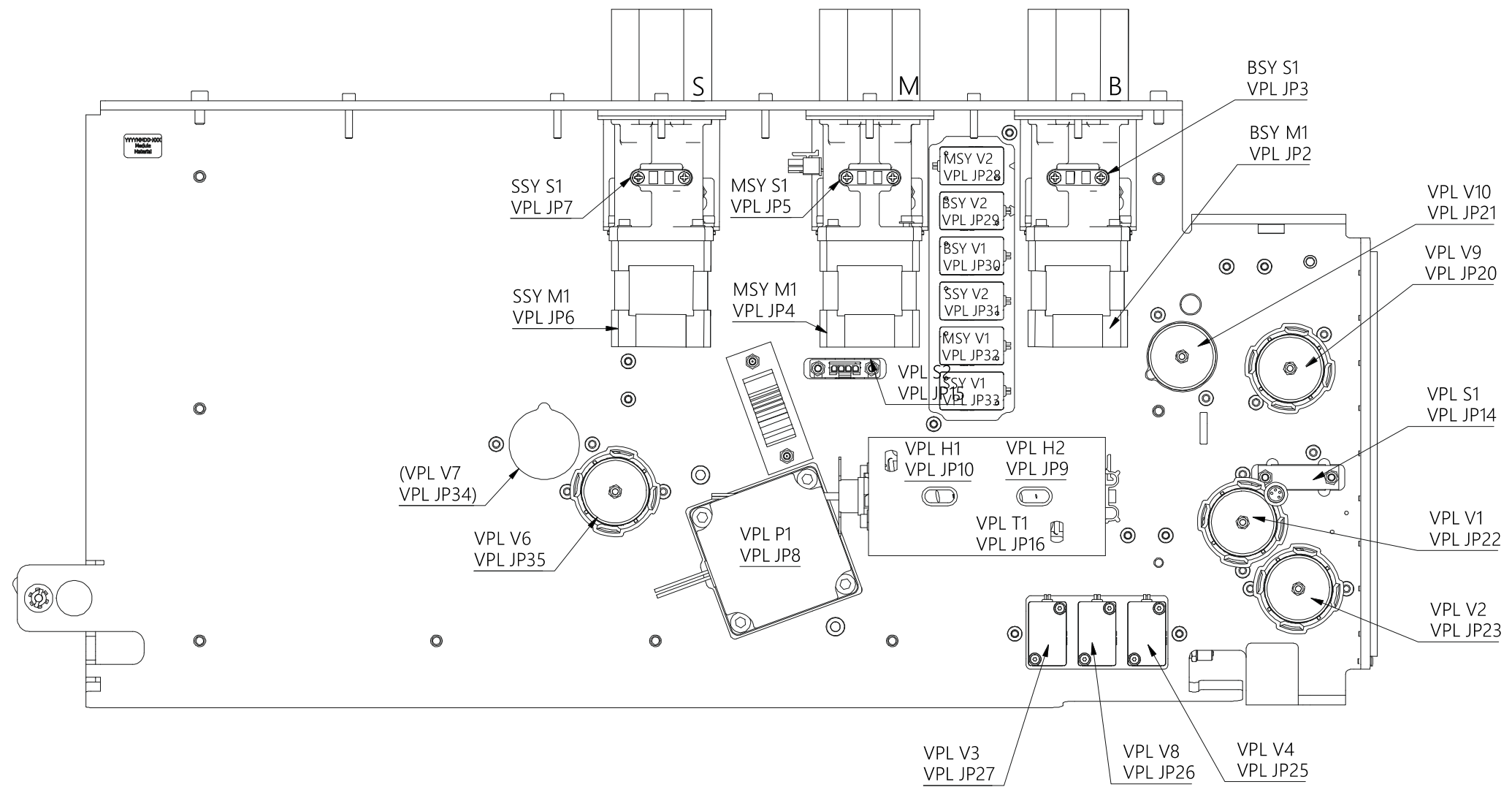


Fig. 11

This page is intentionally left blank.

# CABLE LABELS

Pos. 701



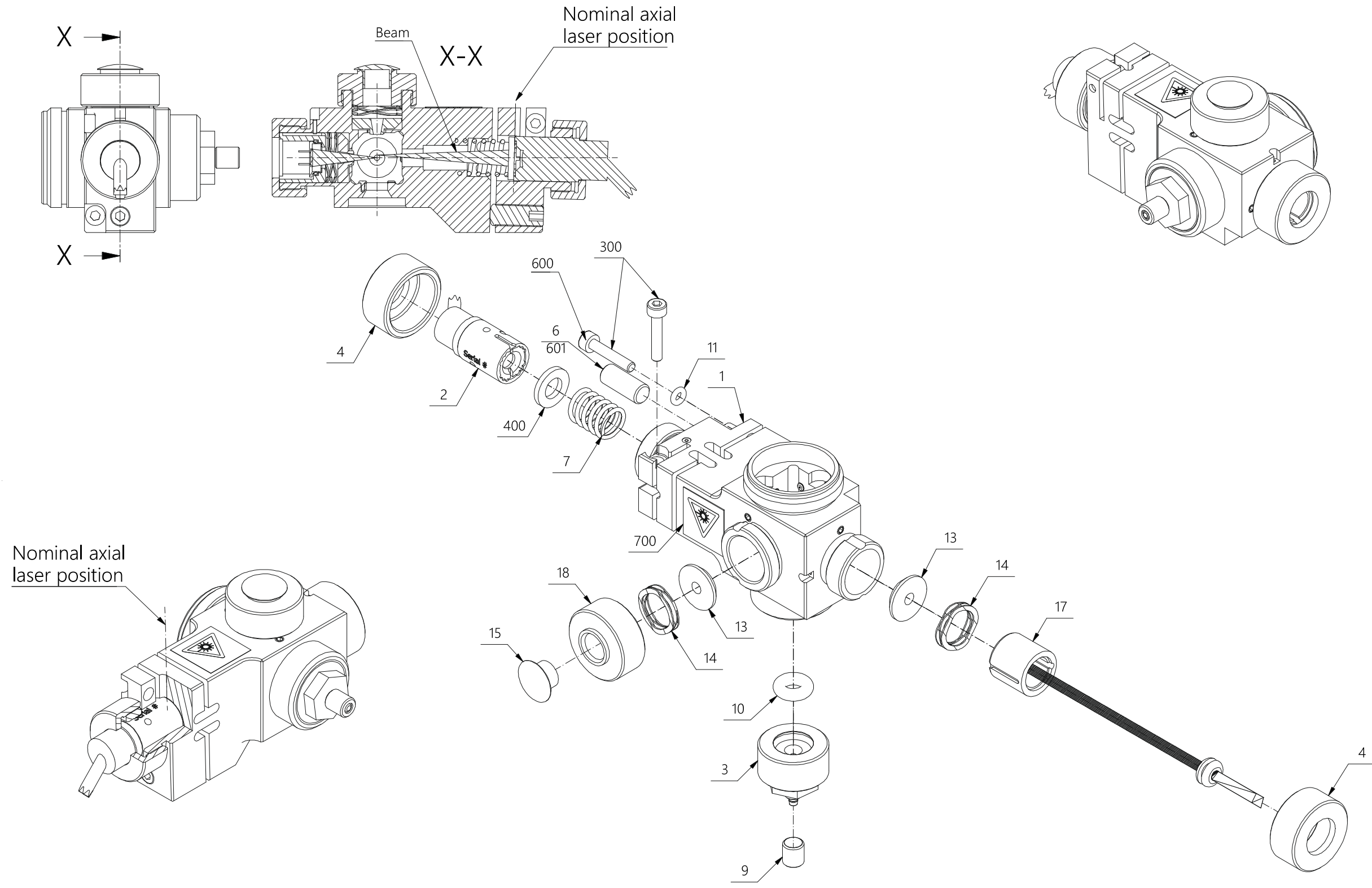
60067317 Doc. Rev:22 Doc.type:70

Fig. 12

## 12 Flowcell and Laser Block

**Drawing No.:** 60083844      **Page:** 80-1

<b>Pos.</b>	<b>Part No.</b>	<b>Description</b>	<b>Prod. No.</b>
2	60077521	Laser 24.0 µm x 190µm Long FL Pontos	60064532
3	60059620	Clamp f flowcell	
4	60059307	Axial adjustment screw	
6	60059310	Angular adjustment screw	
7	60059312	Spring Di8 Dt1.2 L15 SS	
9	00219121	Union	
10	60059621	O-ring Ø004.34xØ3.53 NBR 70shore	
11	00531921	O-ring	
13	60083936	Pusher for flowcell	
14	60083913	Spring C 04.95 09.00 0080N SS	
15	00528083	Cover button	
17	60084065	Detector f laser for side fixation cpl	
18	60083924	Nut for frontal fixation for flowcell	
300	00108480	Allen screw M03.0x016	
400	00153411	Washer	



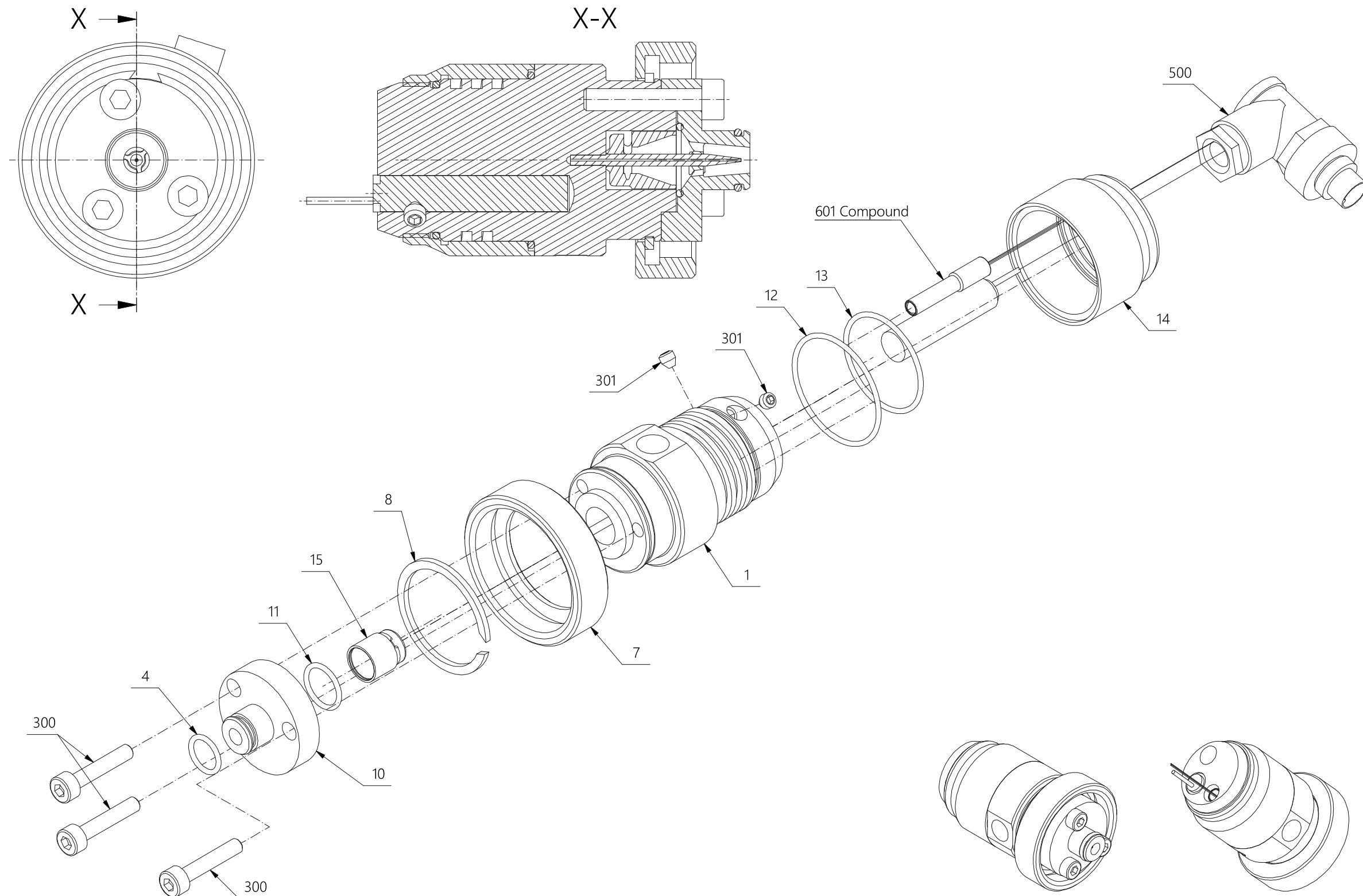
60083844 Doc. Rev:04 Doc.type:95

Fig. 13

## 13 Flowcell Needle Inlet FC Pontos Diffuser

**Drawing No.: 60084325****Page: 90-1**

<b>Pos.</b>	<b>Part No.</b>	<b>Description</b>	<b>Prod. No.</b>
4	60063102	O-ring Ø006.50xØ1.00 NBR 70shore	
7	00534073	Union bottom	
8	00534156	Seeger-ring	
10	60084341	Needle guide with spokes	
11	60026945	O-ring ø008.0xø1.0	
12	00534065	O-ring	
13	00534057	O-ring	
14	00534040	Cap	
15	60084545	Diffuser with 3 spokes for FCU inlet	
300	00108480	Allen screw M03.0x016	
301	00140525	Allen screw M03.0x003 MSP-SS.	
500	60069113	Cable inlet bulkhead to heater cpl	



60084325 Doc. Rev:01 Doc.type:95

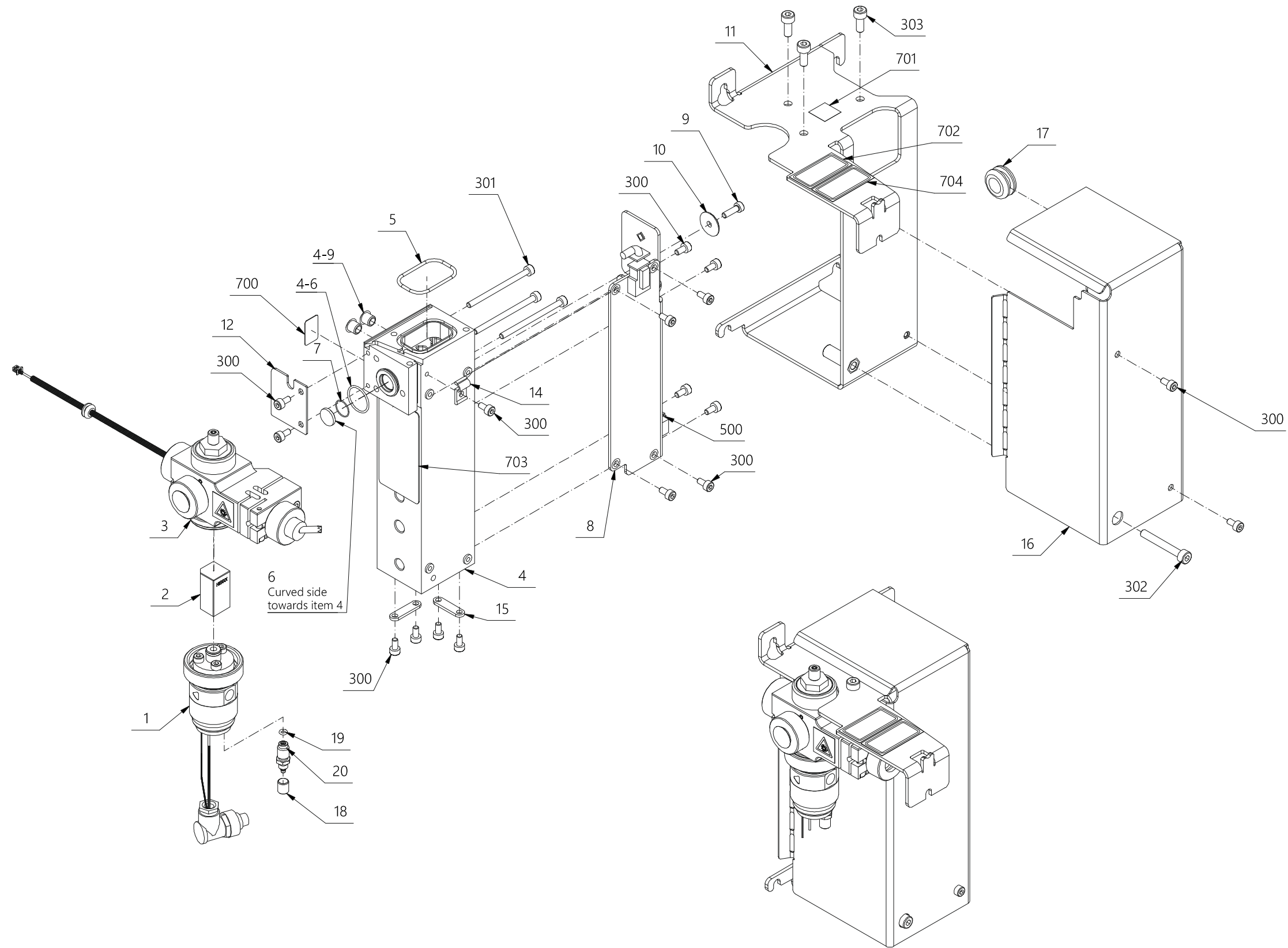
Fig. 14

## 14 FC Pontos Long FL SCC Module

**Drawing No.:** 60062707

**Page:** 100-1

Pos.	Part No.	Description	Prod. No.
1	60078132	Flowcell needle inlet FC Pontos diffuser	60084325
2	60062383	Flowcell 200x200µm 13x13x24 mm	
4-6	00369835	O-ring	
4-9	60065530	Cover button	
5	00390120	O-ring	
6	60078136	Lens opt focus 10.0 Ø10.0 3.25	60058412
7	60047911	O-ring ø009.05xø0.50 NBR 70shore	
8	01052187	Pcb assy Conventional Detector PCB FM7	
9	60063937	Adjustment screw modified M3x10	
10	60063835	Washer f detectors	
15	60066909	Cable clip flat	
17	00043232	Grommet	
18	00219121	Union	
19	60015423	O-ring Ø002.50xØ1.00	
20	60067379	Hose Connection 1/4" -28 UNF (small)	
300	00227348	Allen screw M03.0x006	
301	60054030	Allen screw M03.0x045 Mc-SS A4	
302	00367912	Allen screw M04.0x030	
303	00011569	Allen screw M4x10	
500	60070372	Cable DF13 20P F/F 20x28 L560	



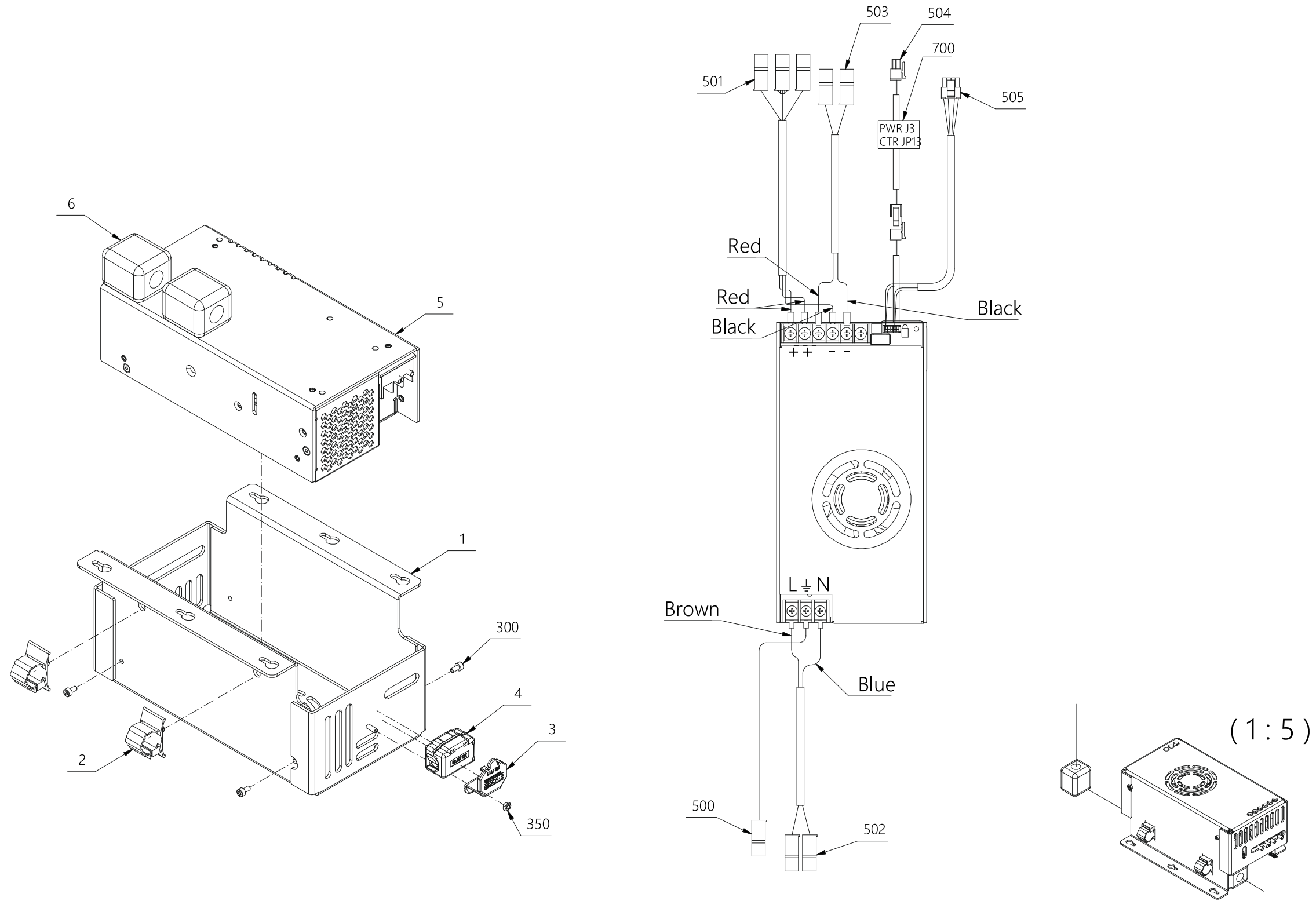
60062707 Doc. Rev.11 Doctype:95

Fig. 15

## 15 Power Supply SHP650PS24 with Cables

*Drawing No.:* 60075307      *Page:* 110-1

<b>Pos.</b>	<b>Part No.</b>	<b>Description</b>	<b>Prod. No.</b>
5	60078159	Power Supply SHP650PS24 assy	60075497
300	00227348	Allen screw M03.0x006	
350	00153403	Nut	
500	60064347	Cable Blade 6.3 F/Ferrule 1x18 L190 y/g	
501	60071569	Cable Blade 6.3 F/Ferrule 3x14 L685	
502	60064348	Cable Blade 6.3 F/Ferrule 2x18 L190	
503	60062885	Cable Blade 6.3 F/Ferrule 2x14 L1030	
504	60075530	Cable Microfit DR 2P M/F 2x24 L830	
505	60075524	Cable PSU SHP650PS-24 Status	



60075307 Doc. Rev:04 Doc.type:95

Fig. 16

## 16 Cabinet

**Drawing No.: 60054600****Page: 120-1**

<b>Pos.</b>	<b>Part No.</b>	<b>Description</b>	<b>Prod. No.</b>
1-3	60082306	Gas spring F=150N	60062718
1-9	00323972	Retaining ring	
1-13	60034902	Vibrationdamper	
1-22	60066498	O-ring ø021.50xø3.00 VMQ 70shore	
1-27	60072615	Damper foot assy, red	
2	60062833	Switch Reed f. lid L=1000 #2x0,25 UL	
4	60063702	Fan axial 24VDC L=700 # 2x0,5	
9	00525360	Cable holder	
301	00227348	Allen screw M03.0x006	
305	60073994	Screw Torx M02.0x006 MK A2	
550	01015414	Flex Helawrap 16 mm grey	
551	60045809	Tube ø1.60/ø03.20 Tygon	00183103
552	60045809	Tube ø1.60/ø03.20 Tygon	00183103

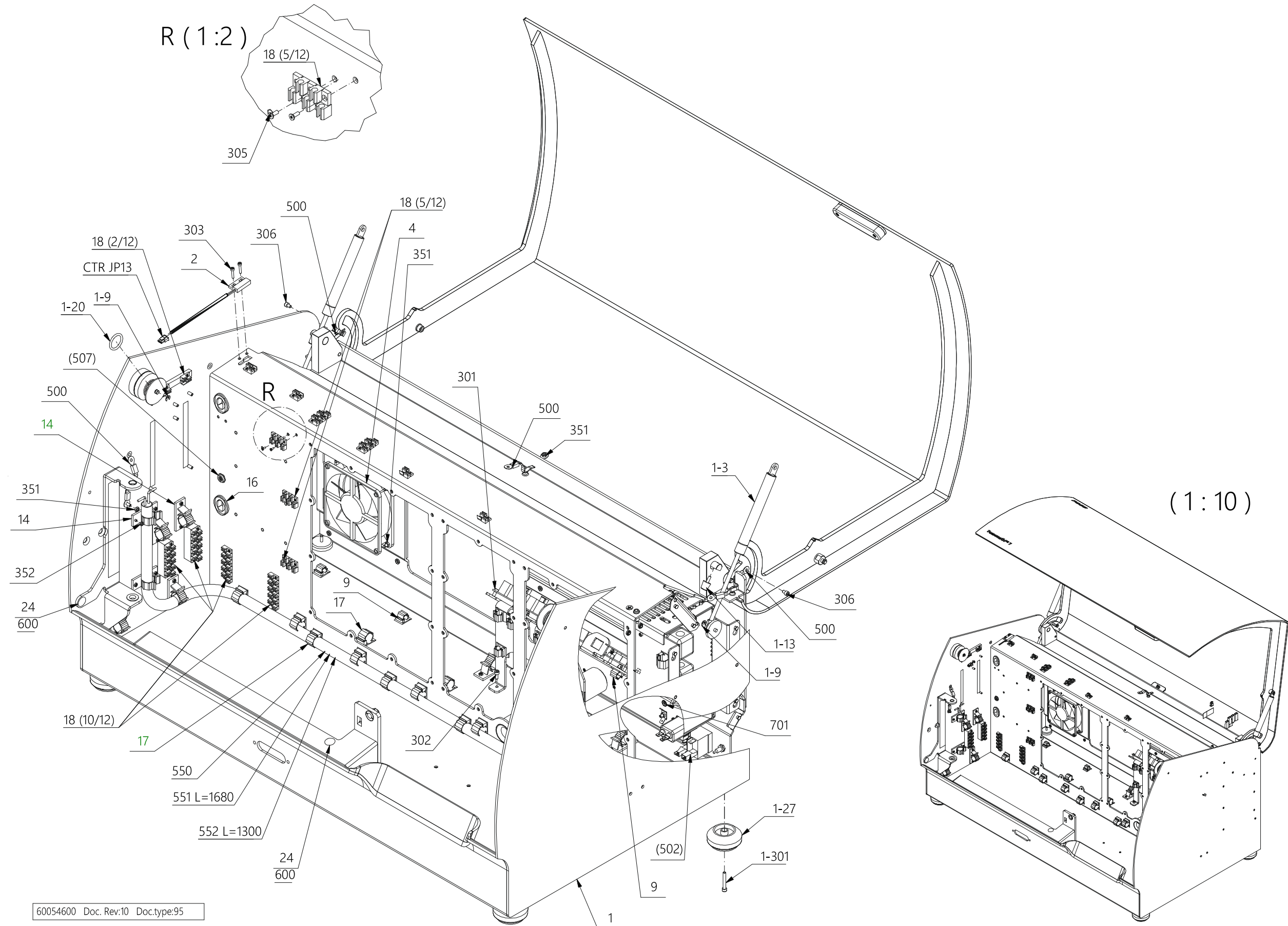


Fig. 17

## 17 Cabinet

**Drawing No.:** 60054600

**Page:** 120-2

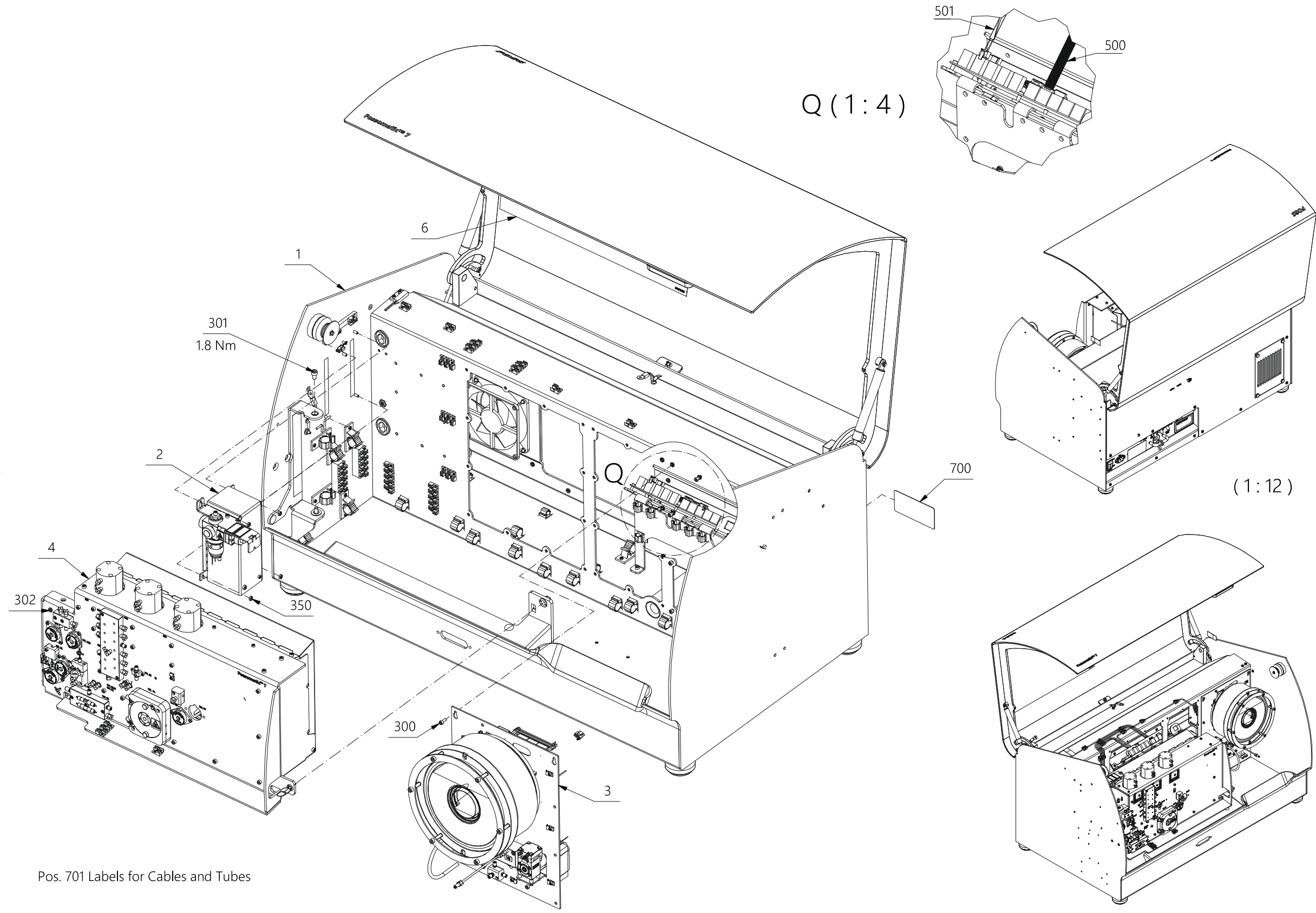
Pos.	Part No.	Description	Prod. No.
1-5	60062808	Cabinet filter holder	
1-20	00367482	O-ring	
5	00277137	Spade	
7	60048004	Chassis ID	00584698
10	60002342	Filter in drawer on el-box	
15	0066480	Power Switch	
23	01052173	Pcb assy FC Control PCB FM7	
306	00256701	Allen screw M04.0x006	
500	01010729	Wire	
501	60066617	Cable Power AUX L=70mm. #3x0,5 UL	
502	60066859	Cable Blade 6.3 F/F 2x18 L200	
503	60062950	Cable Microfit DR 6P F/F 4x20 L825	
504	60064329	Cable Blade 6.3 F/F 1x16 L195 y/g	
505	60048020	Cable Chassis ID PCB	60023887
506	60062882	Cable Minibridge 8P F/F 8x26 L815	
507	60070290	Cable inlet heater bulkhead to PCB	
508	60056800	Ethernet Cable 1:1 S-FTP cat.6 L=1M	
509	60062938	Cable Microfit DR 6P F/F 4x20 L645	



## 18 Main Unit

**Drawing No.:** 60070010      **Page:** 130-1

<b>Pos.</b>	<b>Part No.</b>	<b>Description</b>	<b>Prod. No.</b>
2	60076647	FCU Pontos long FL SCC module assy	60062707
3	60076010	RSH module assy	60060006
300	00011569	Allen screw M4x10	
301	00705228	Screw M06.0X010	
302	00256701	Allen screw M04.0x006	
350	00051433	Nut M4	
500	60062883	Cable Minibridge 8P F/F 8x26 L1515	
501	60062939	Cable Microfit DR 6P F/F 4x20 L1425	

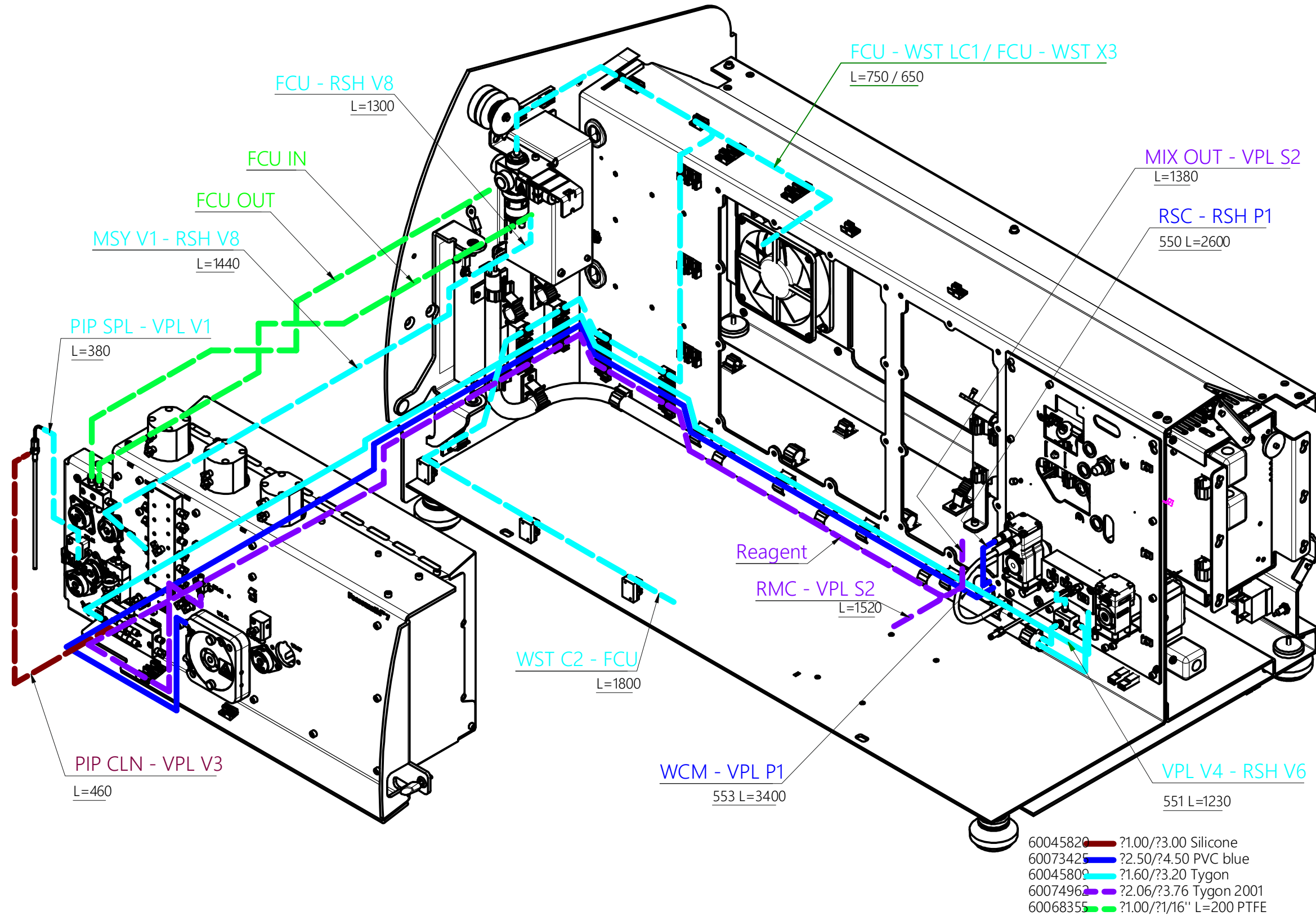


60070010 Doc. Rev:14 Doc.type:95

Fig. 19

**19 Main Unit****Drawing No.: 60070010      Page: 130-2**

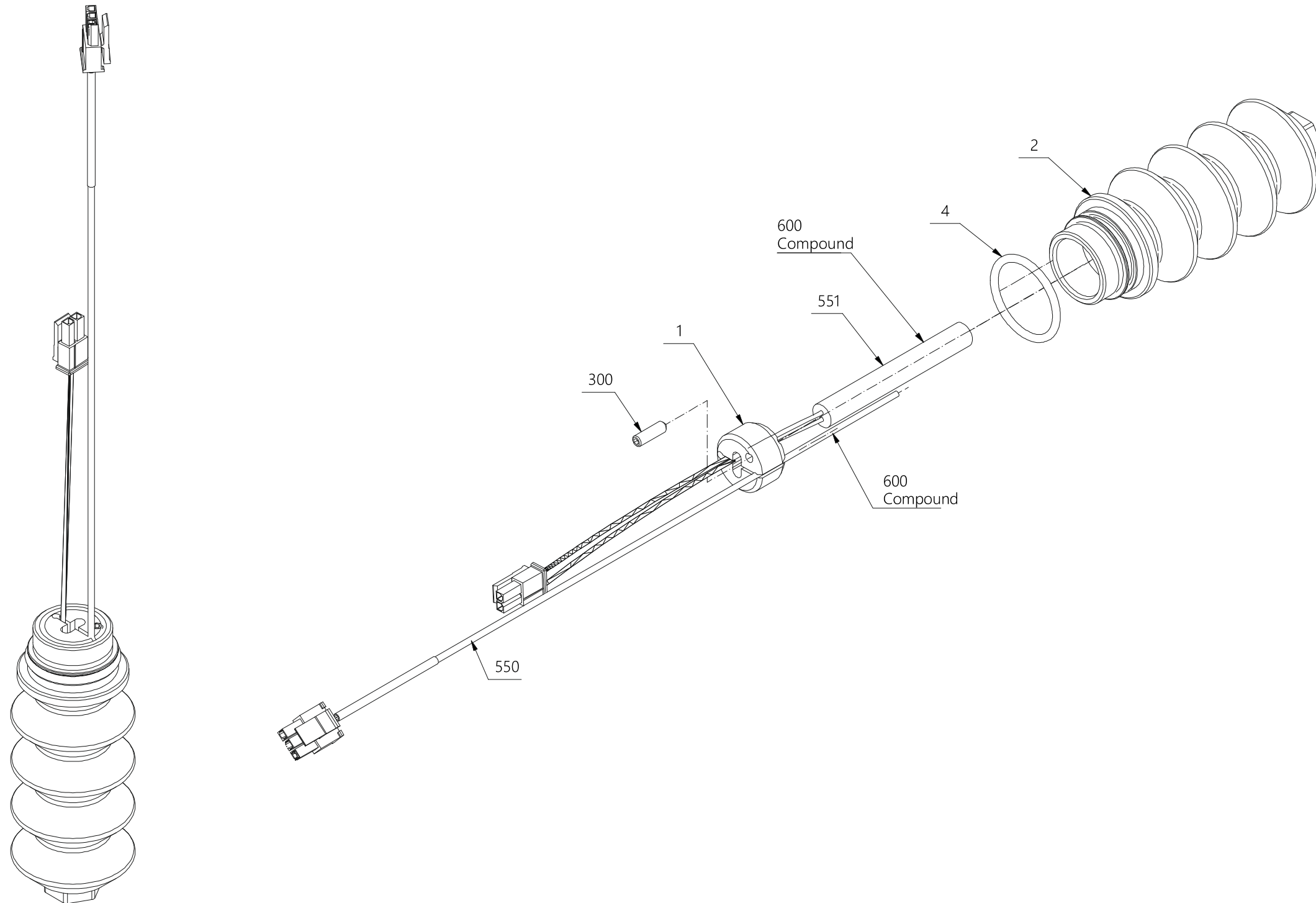
550	60055301	PVC Ø2.5/4.5 Blue	00528570
551	60045809	Tube ø1.60/ø3.20 Tygon	00183103
553	60055301	PVC Ø2.5/4.5 Blue	00528570



60070010 Doc. Rev.14 Doc.type:95

**20 Radiator for RSH Chamber****Drawing No.: 60066761****Page: 140-1**

4	00337113	O-ring
550	60067290	Sensor thermo NTC 10k# 1mm (L=200),cpl
551	60067360	Heat cartridge 24V/25W cpl

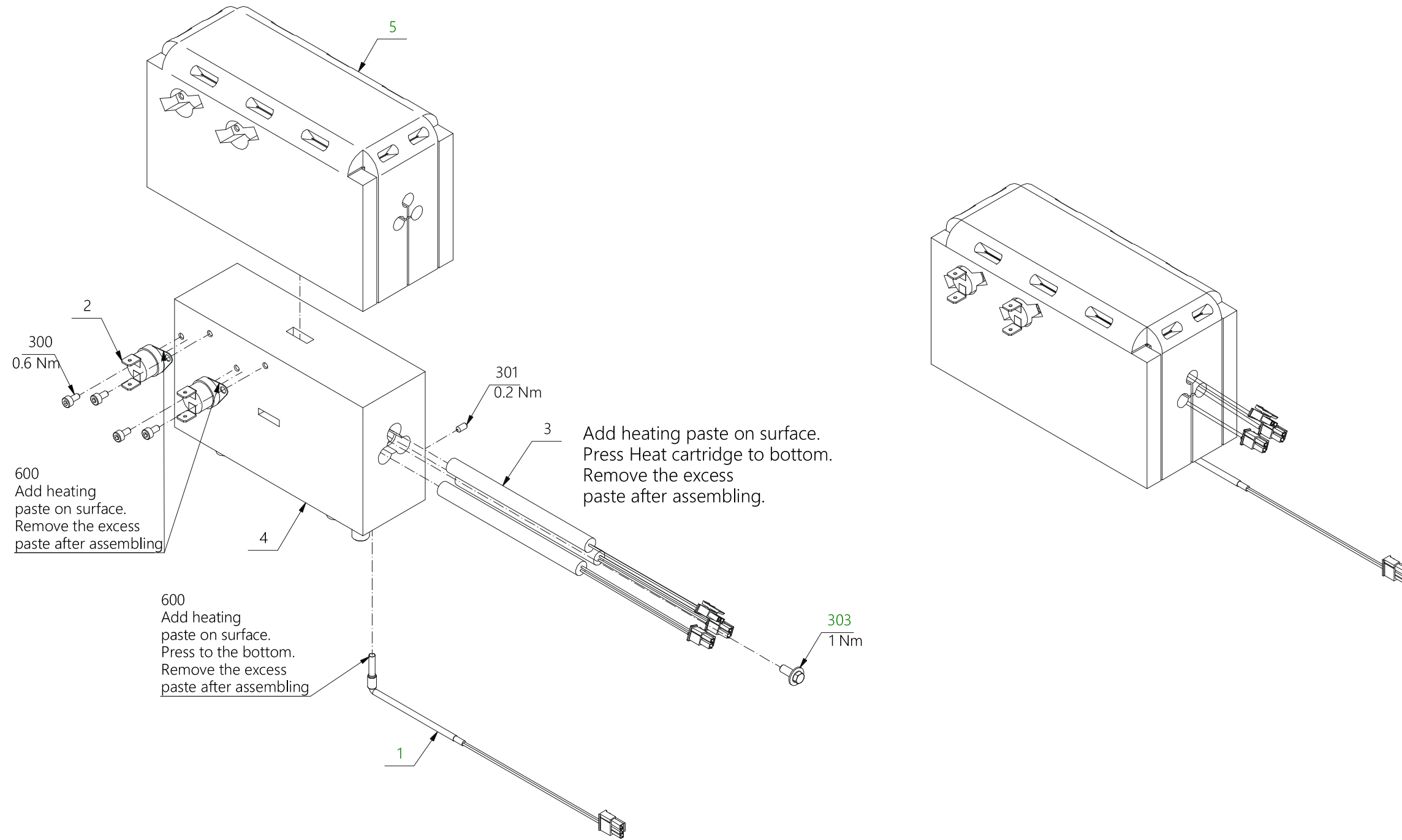


60066761 Doc. Rev:07 Doc.type:95

Fig. 20

**21 RSH Preheater W Cartridge****Drawing No.: 60067025      Page: 150-1**

<b>Pos.</b>	<b>Part No.</b>	<b>Description</b>	<b>Prod. No.</b>
1	60064326	NTC 3mm. FOSS L=450 # 2x0,25	
2	60045344	Thermo switch 70C open 55C close Elmwood	
3	60067274	Heating cartridge 115W 24V cpl	
4	60078154	RSH Preheater cpl.	60067638
5	60067052	Insulation for RSH preheater	
600	00060251	Silic. Comp.	



60067025 Doc.Rev:07 Doctype:95

150

Fig. 21

## 22 RSH Module

**Drawing No.:** 60060006      **Page:** 160-1

Pos.	Part No.	Description	Prod. No.
4	60078153	Lid for rinse sheath chamber	60065891
5	60066243	Lid washer for RSH chamber	
6	60066158	O-ring ø175.00xø5.00 NBR 70SH	
7	60067268	Pump Membrane cpl	
7-1-A	60074992	FOSS Rep.Kit Pump MembranePL11103-NF1-60	
10	60086360	Flowblock x-piece with connectors	
14	60078155	Radiator for RSH chamber cpl	60066761
16	60066244	Lid nut for RSH chamber	
18	60069789	Valve 2/2 NC Bürkert L600 #2x0,25 cpl	
20-1-A	60075737	O-ring ø015.60xø1.78 FKM 75shore	
30	60041799	Vibration damper Type2 M3x4/M3	
44	60065373	Pump Air KNF NPK04 cpl.	
46	60069526	Hose Connection 1/4" -28 UNF for Marpren	
47	60069527	Union M08x1.00 ø06.00 alu grey	
52	60075335	Clip for tube ø4.5 SS	
63	60071603	Exoskeleton for Marprene tube	
67	60061200	Holder f inline filter	
68	60068100	Valve Solenoid 3/2 24V Bürkert 0127 cpl	
69	60015457	FLC Filter Housing	
70	60073129	Inline filter 100# mesh, Ø68# thread	60062742
71	60015338	O-ring ø006.00xø1.00	
304	00821744	Allen screw	

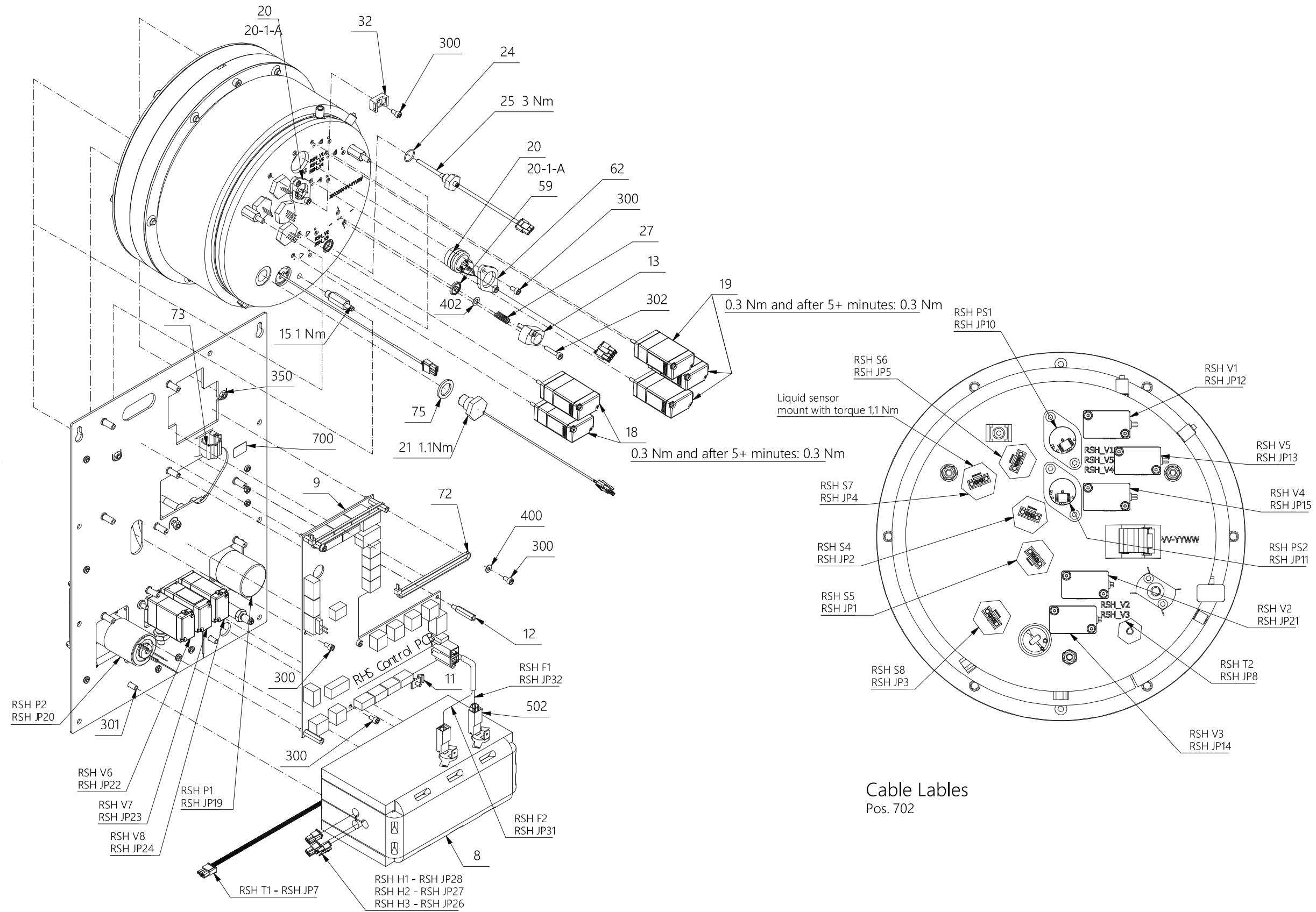


## 23 RSH Module

**Drawing No.:** 60060006

**Page:** 160-2

<b>Pos.</b>	<b>Part No.</b>	<b>Description</b>	<b>Prod. No.</b>
9	01052179	Pcb assy RSH Control PCB FM7	
13	60067292	Valve housing	
19	60067270	Valve solenoid 2/2 NO 24V Bürkert 0127	
20	60078156	Sensor Pressure 3,5 bar SSIB3x5 cpl	60064837
21	60092943	Sensor liquid level cpl	
24	60069875	O-ring Ø010.0 x ø1.00 FPM (VITON) 70 sho	
25	60067279	Sensor thermo NTC 10k# 3mm cpl.	
27	60054130	Spring	
75	60086485	Sealing ring	
402	60054750	Washer ø4,3	
502	60071394	Cable Red PSU/RSH L=140 # 2x2,5 UL	



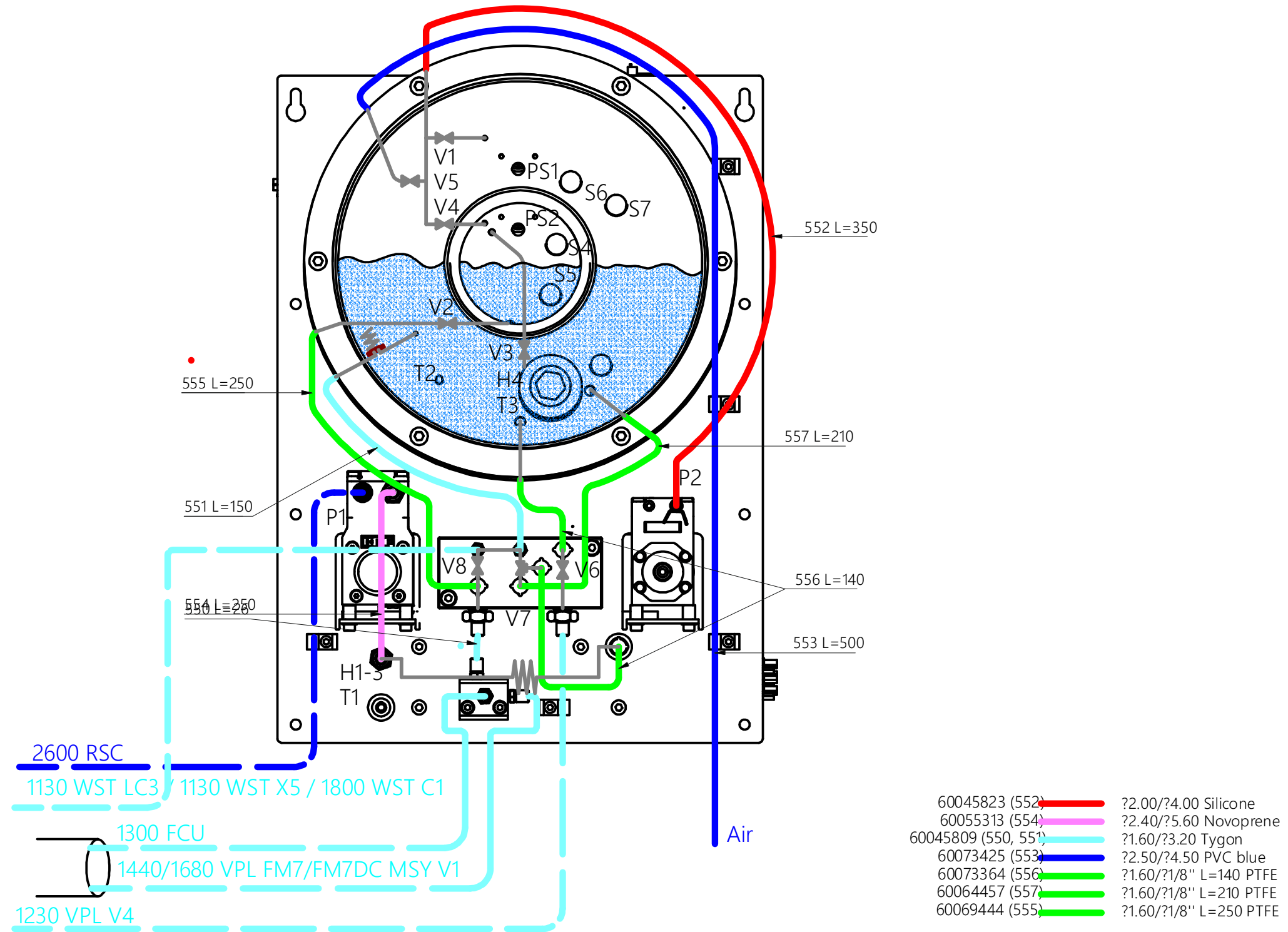
60060006 Doc.Rev:25 Doc.type:95

160-2

Fig. 23

**24 RSH Module****Drawing No.: 60060006****Page: 160-3**

<b>Pos.</b>	<b>Part No.</b>	<b>Description</b>	<b>Prod. No.</b>
550	60045809	Tube ø1.60/ø03.20 Tygon	00183103
551	60045809	Tube ø1.60/ø03.20 Tygon	00183103
552	00215301	Silic. Ø2/4	
553	60055301	PVC Ø2.5/4.5 Blue	00528570
554	60055313	Tube 02,40/05,60	60015273
555	60069444	Tube ø1/8"/ø1,6 PTFE L=250mm. assy.	
556	60073364	Tube ø01.60/ø01/08" PTFE L=0140mm assy	
557	60064457	Tube ø1/8"/ø1,6 PTFE L=210mm. assy.	



60060006 Doc. Rev:25 Doc.type:95

160-3

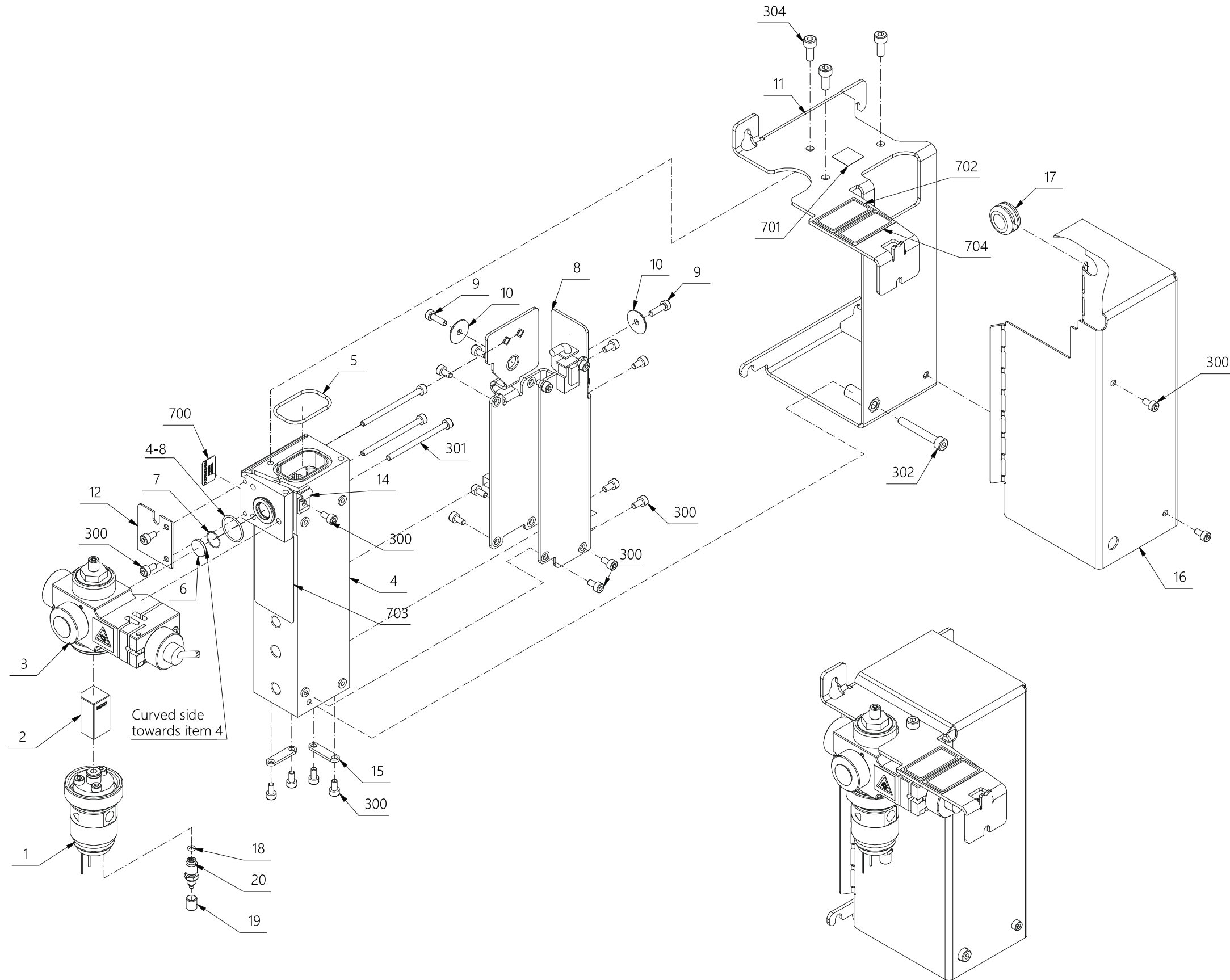
Fig. 24

## 25 FCU Pontos Long FL DSCC Module

*Drawing No.:* 60059300

*Page:* 170-1

<b>Pos.</b>	<b>Part No.</b>	<b>Description</b>	<b>Prod. No.</b>
1	60078132	Flowcell needle inlet FC Pontos diffuser	60084325
2	60062383	Flowcell 200x200µm 13x13x24 mm	
5	00390120	O-ring	
6	60078136	Lens opt focus 10.0 Ø10.0 3.25	60058412
7	60047911	O-ring ø009.05xø0.50 NBR 70shore	
8	01052185	Pcb assy Advanced Detector	
9	60063937	Adjustment screw modified M3x10	
18	60015423	O-ring Ø002.50xØ1.00	
19	00219121	Union	
20	60067379	Hose Connection 1/4" -28 UNF (small)	
300	00227348	Allen screw M03.0x006	
500	60070372	Cable DF13 20P F/F 20x28 L560	



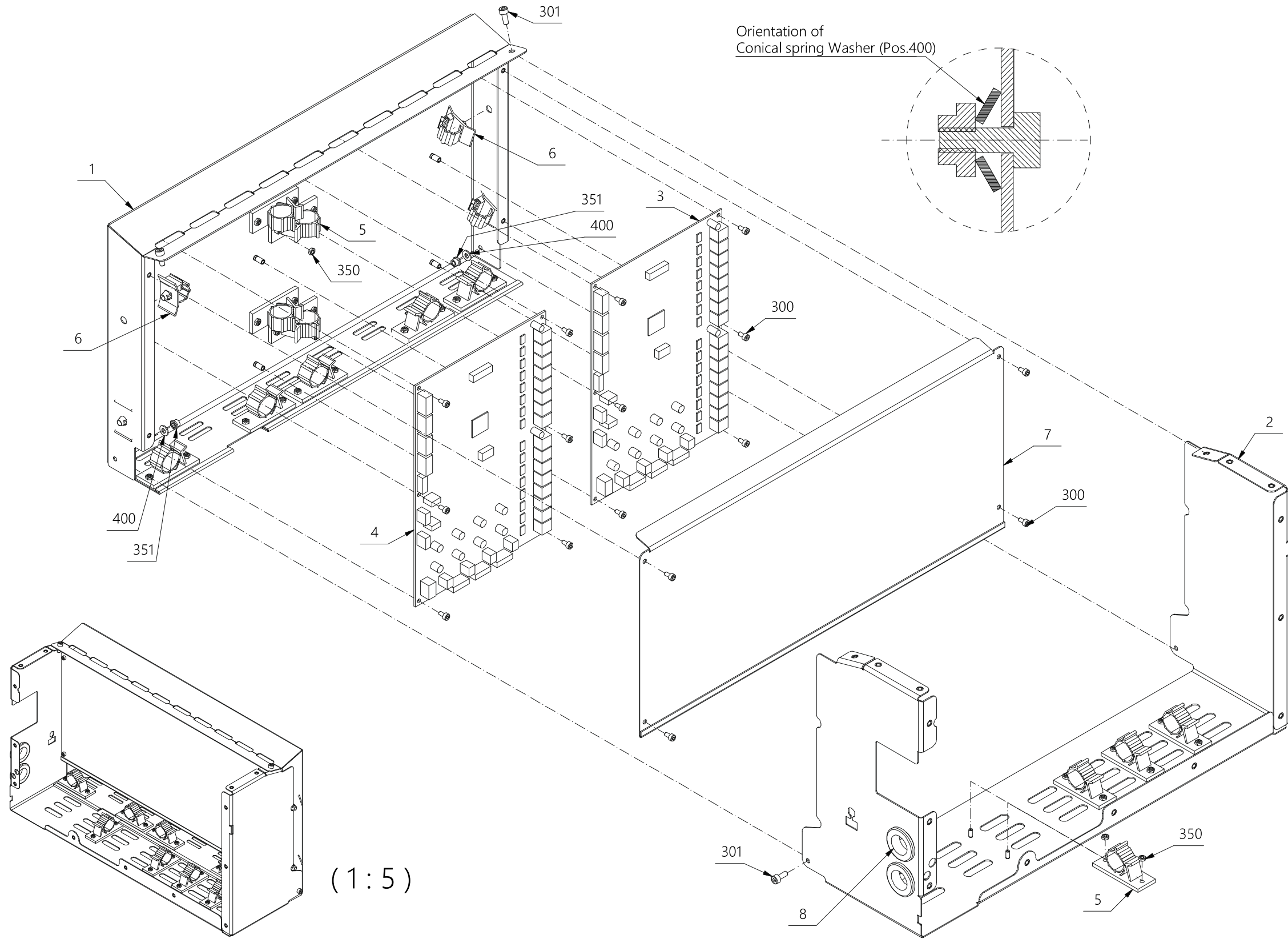
60059300 Doc. Rev:11 Doc.tvrø:95

Fig. 25

170

**26 Case for PCB for VPL DSCC****Drawing No.: 60069767      Page: 180-1**

<b>Pos.</b>	<b>Part No.</b>	<b>Description</b>	<b>Prod. No.</b>
3	01052181	Pcb assy Flow Control PCB FM7	
4	01052363	Pcb assy Incubation Control PCB	
8	00231332	Bush	
300	00227348	Allen screw M03.0x006	
301	00011569	Allen screw M4x10	
350	00153403	Nut	
351	00111872	Nut lock M04.0 SS	



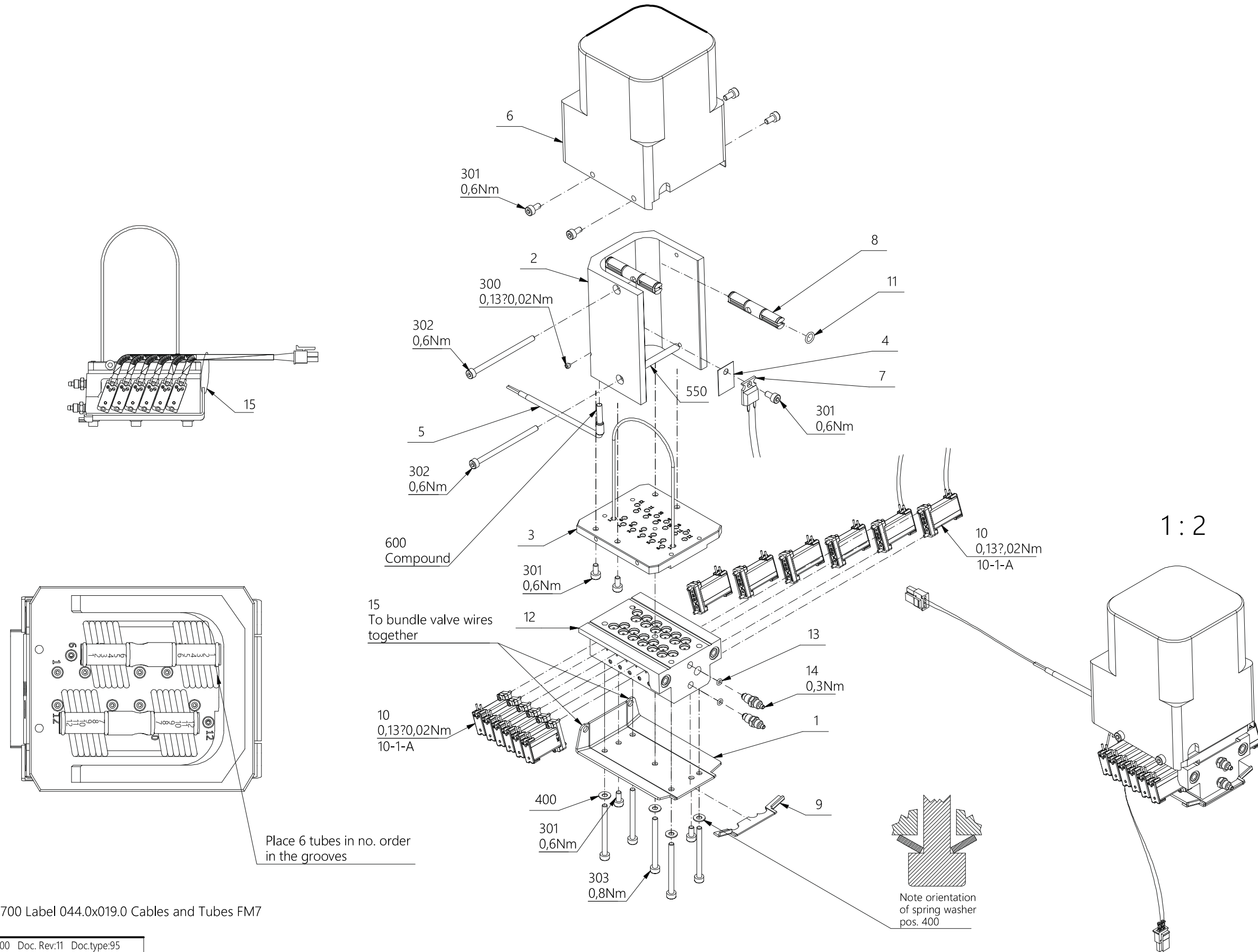
60069767 Doc. Rev:04 Doc.type:95

Fig. 26

## 27 Incubation Unit

**Drawing No.:** 60075500      **Page:** 190-1

<b>Pos.</b>	<b>Part No.</b>	<b>Description</b>	<b>Prod. No.</b>
4	00496851	Isol. washer	
5	60064326	NTC 3mm. FOSS L=450 # 2x0,25	
6	60075311	Cover for incubation unit	
7	60075338	Resistor 47 ohm with cable cpl	
9	60075974	Foam for baseplat for incuba	
10	60075339	Valve 2/2 Burkert 6712 Ø0.8 FFKM 288653	
10-1-A	60079707	Valve Rep.Kit for 60073243 and 60075339	
11	60015274	O-ring Ø005.00xØ1.00 FPM (Viton)	
12	60075461	Flowsplitter for incuba - diffusion bond	
13	00349407	O-ring Ø002.30xØ0.90 NBR 70shore	
14	00530295	Stub	
15	00049254	Cable ties 2.5mm x 100mm Pa natur	
300	00140525	Allen screw M03.0x003 MSP-SS.	
301	00227348	Allen screw M03.0x006	



Pos.700 Label 044.0x019.0 Cables and Tubes FM7

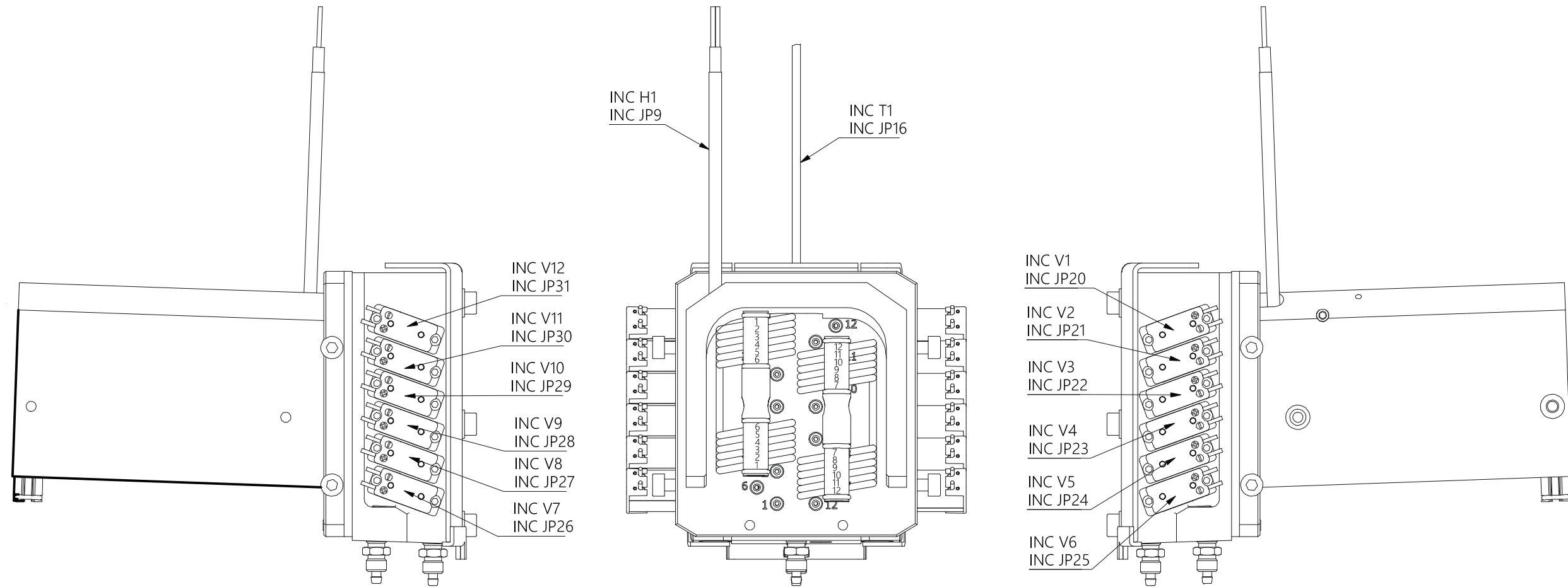
60075500 Doc. Rev:11 Doc.type:95

Fig. 27

190-1

This page is intentionally left blank

Cable Labels  
Pos.700



60075500 Doc. Rev:11 Doc.type:95

190-2

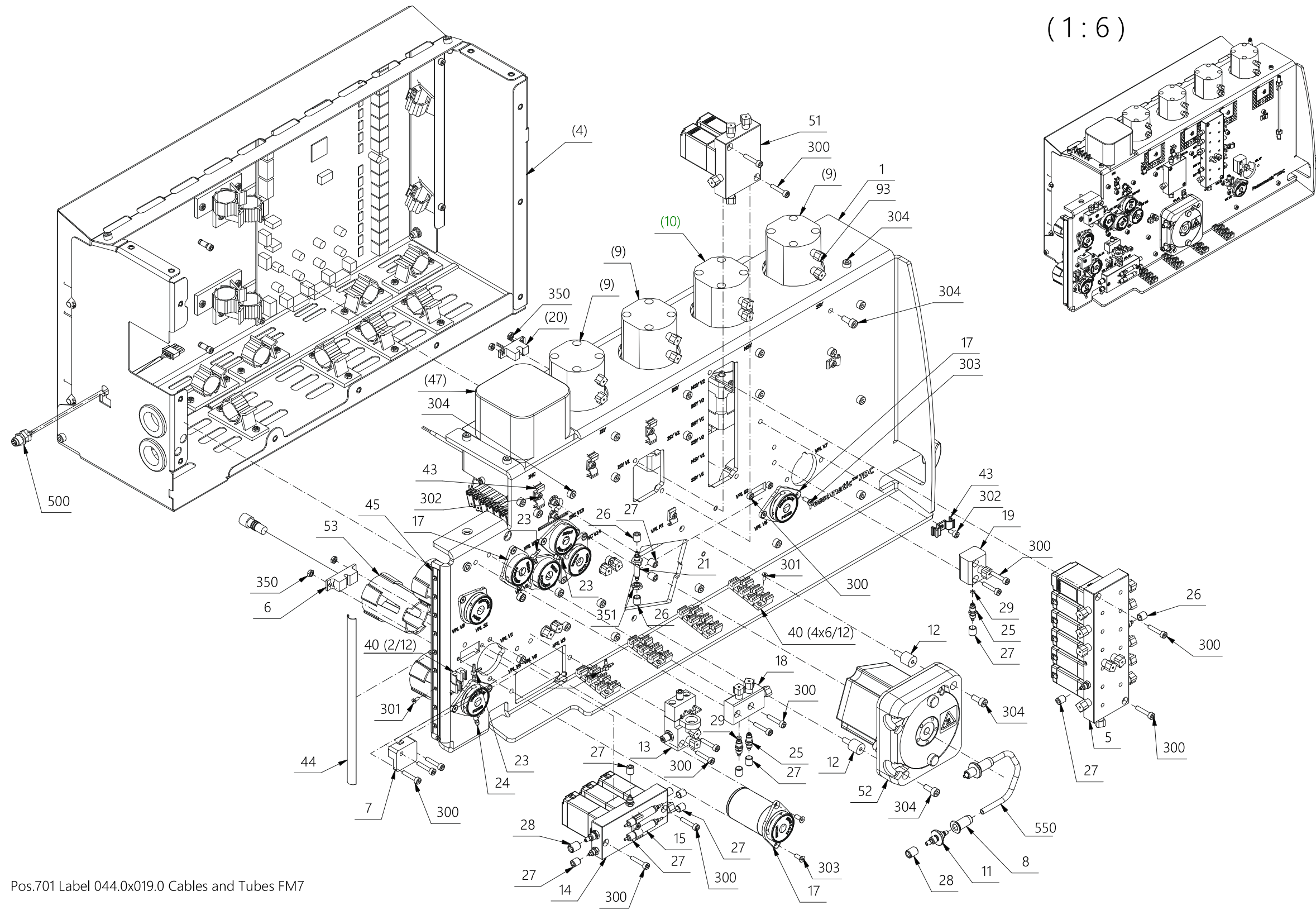
Fig. 28

## 28 VPL Module DSCC

**Drawing No.:** 60069890

**Page:** 200-1

Pos.	Part No.	Description	Prod. No.
5	60067559	Valveblock for 6 burkert 0127 2/2 assy	
6	60080334	Sensor optical Ø1/8" tube M8 4-way L=100	
8	60069171	Fitting for Ø2.79x4.39 marprene	
11	00495499	Hose connection	
12	00329458	Damper	
15	60069881	Throttle long	
17	60064289	Valve pinch gap 1.15 blue L=600-2x0.25	
18	60067377	Flowblock combined T-piece and silicone	
19	60072677	Flowblock x-piece 2 silicone 1 teflon	
21	60061391	Tube for optical sensor	
22	60084738	Damper pad ø015.00x01.00 EPDM 70 w. glue	
23	00218610	T-piece	
24	60072658	T-piece	
25	00530295	Stub	
26	60059471	Union M05x0.80 ø03.70 alu red	
27	00219121	Union	
28	60091957	Union M06x0.75 ø04.60 alu red	
29	00349407	O-ring Ø002.30xØ0.90 NBR 70shore	
40	60065855	Holder for tube Ø4.0 12 pos. PP black	
53	60092349	Shield for pinch valve	
300	00108480	Allen screw M03.0x016	
301	60073994	Screw Torx M02.0x006 MK A2	
302	00227348	Allen screw M03.0x006	
303	00000893	Allen screw	
304	00011569	Allen screw M4x10	
351	60061494	Nut M05.00 SS A2 DIN 439B ISO 4035	
500	60079389	Cable M8 4P M/Micro SR 4P F 4x24 L510	



Pos.701 Label 044.0x019.0 Cables and Tubes FM7

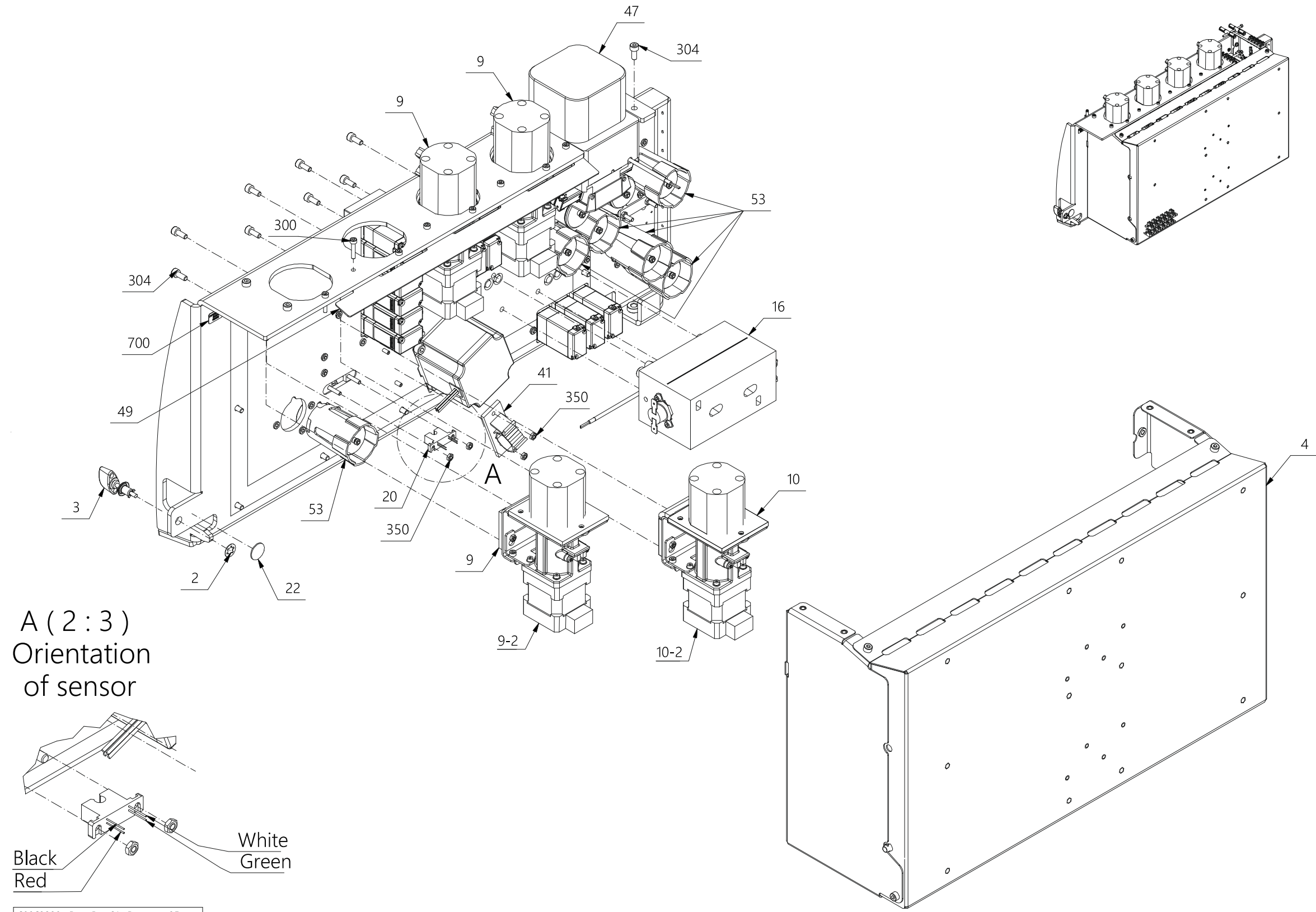
60069890 Doc. Rev.21 Doc.type:95

200-1

Fig. 29

**29 VPL Module DSCC****Drawing No.: 60069890 Page: 200-2**

<b>Pos.</b>	<b>Part No.</b>	<b>Description</b>	<b>Prod. No.</b>
2	00557488	Lock washer	
3	60093481	Lock wing head	
9-2	60078152	Pump displacement IDEX VFP-2500µl cpl	60067741
9-3	60069860	Foam for bracket for IDEX disp. pump	
10-2	60078158	Pump displacement IDEX VFP-250µl cpl	60067748
10-3	60069860	Foam for bracket for IDEX disp. pump	
20	60078151	Sensor optical liquid tube Ø4.70 cpl	60067278
350	00153403	Nut	



60069890 Doc. Rev:21 Doc.type:95

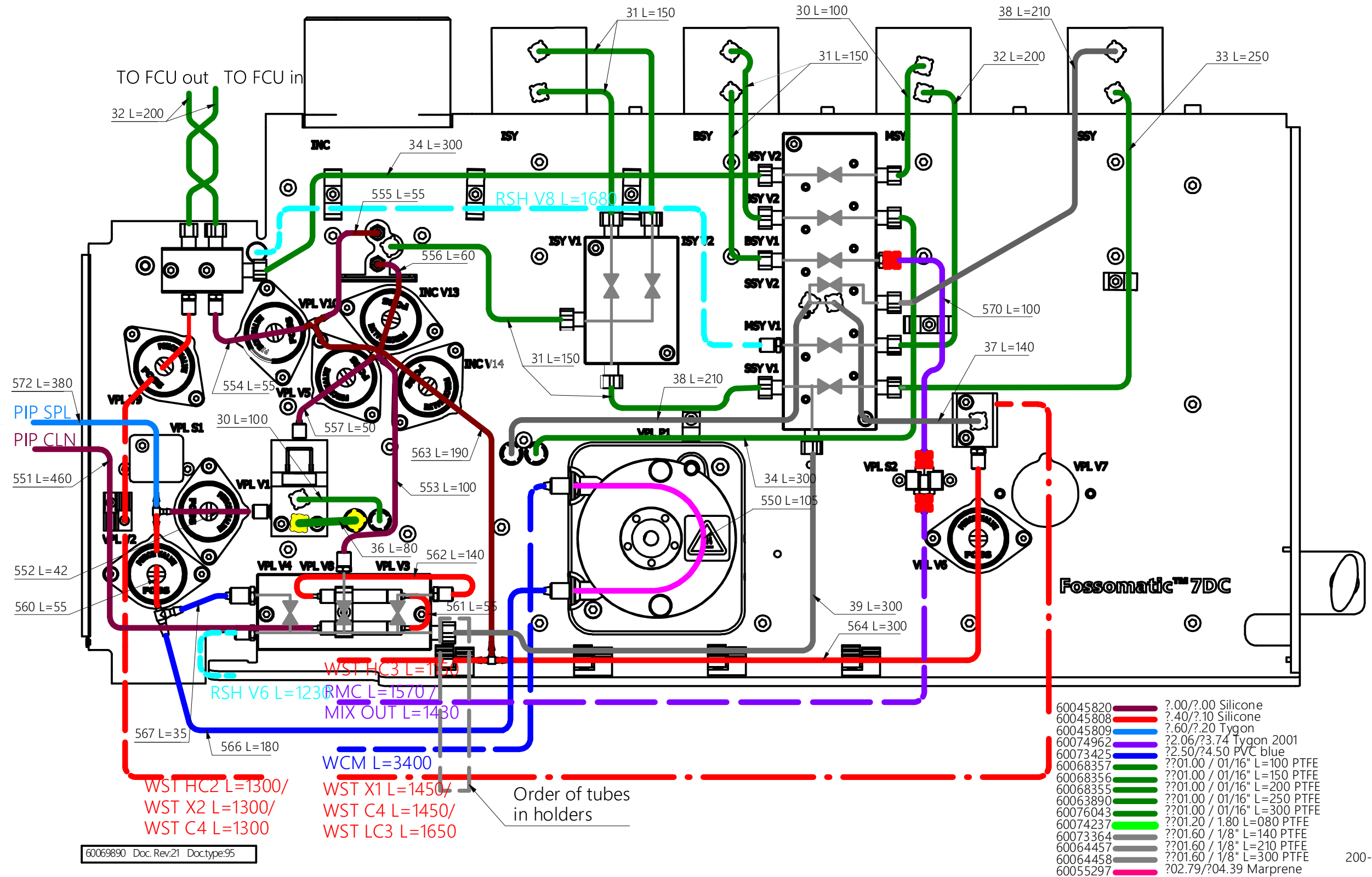
200-2

Fig. 30

## 30 VPL Module DSCC

**Drawing No.:** 60069890      **Page:** 200-3

Pos.	Part No.	Description	Prod. No.
30	60068357	Tube ø01.00/ø01/16" PTFE L=0100mm assy	
31	60068356	Tube ø01.00/ø01/16" PTFE L=0150mm assy	
32	60068355	Tube ø01.00/ø01/16" PTFE L=0200mm assy	
33	60063890	Tube ø01.00/ø01/16" PTFE L=0250mm assy	
34	60076043	Tube ø01.00/ø01/16" PTFE L=0300mm assy	
36	60074237	Tube ø001.20/ø01,8 PTFE L=0080mm assy	
37	60073364	Tube ø01.60/ø01/08" PTFE L=0140mm assy	
38	60064457	Tube ø1/8"/ø1,6 PTFE L=210mm. assy.	
39	60064458	Tube ø1/8"/ø1,6 PTFE L=300mm. assy.	
550	00400754	Marprenø Ø2.8/4.4	
551	00123182	Silic. Ø1/3	
552	00123182	Silic. Ø1/3	
553	00123182	Silic. Ø1/3	
554	00123182	Silic. Ø1/3	
555	00123182	Silic. Ø1/3	
556	00123182	Silic. Ø1/3	
557	00123182	Silic. Ø1/3	
560	60045808	Tube øø 01.4/03.1 Silicone	00101287
561	60045808	Tube øø 01.4/03.1 Silicone	00101287
562	60045808	Tube øø 01.4/03.1 Silicone	00101287
563	00123182	Silic. Ø1/3	
564	60045808	Tube øø 01.4/03.1 Silicone	00101287
566	60055301	PVC Ø2.5/4.5 Blue	00528570
567	60055301	PVC Ø2.5/4.5 Blue	00528570
570	60074962	Tube øø 02.06/03.74 Tygon 2001	60074791
572	60045809	Tube ø1.60/ø03.20 Tygon	00183103



200-3

Fig. 31

This page is intentionally left blank.



**31 Main Unit****Drawing No.: 60070020****Page: 250-1**

<b>Pos.</b>	<b>Part No.</b>	<b>Description</b>	<b>Prod. No.</b>
2	60076648	FCU Pontos long FL DSCC module assy	60059300
3	60076010	RSH module assy	60060006
500	60062883	Cable Minibridge 8P F/F 8x26 L1515	
501	60062939	Cable Microfit DR 6P F/F 4x20 L1425	
502	60067619	Cable Microfit DR 6P F/F 4x20 L1930	
503	60067620	Cable Minibridge 8P F/F 8x26 L1920	

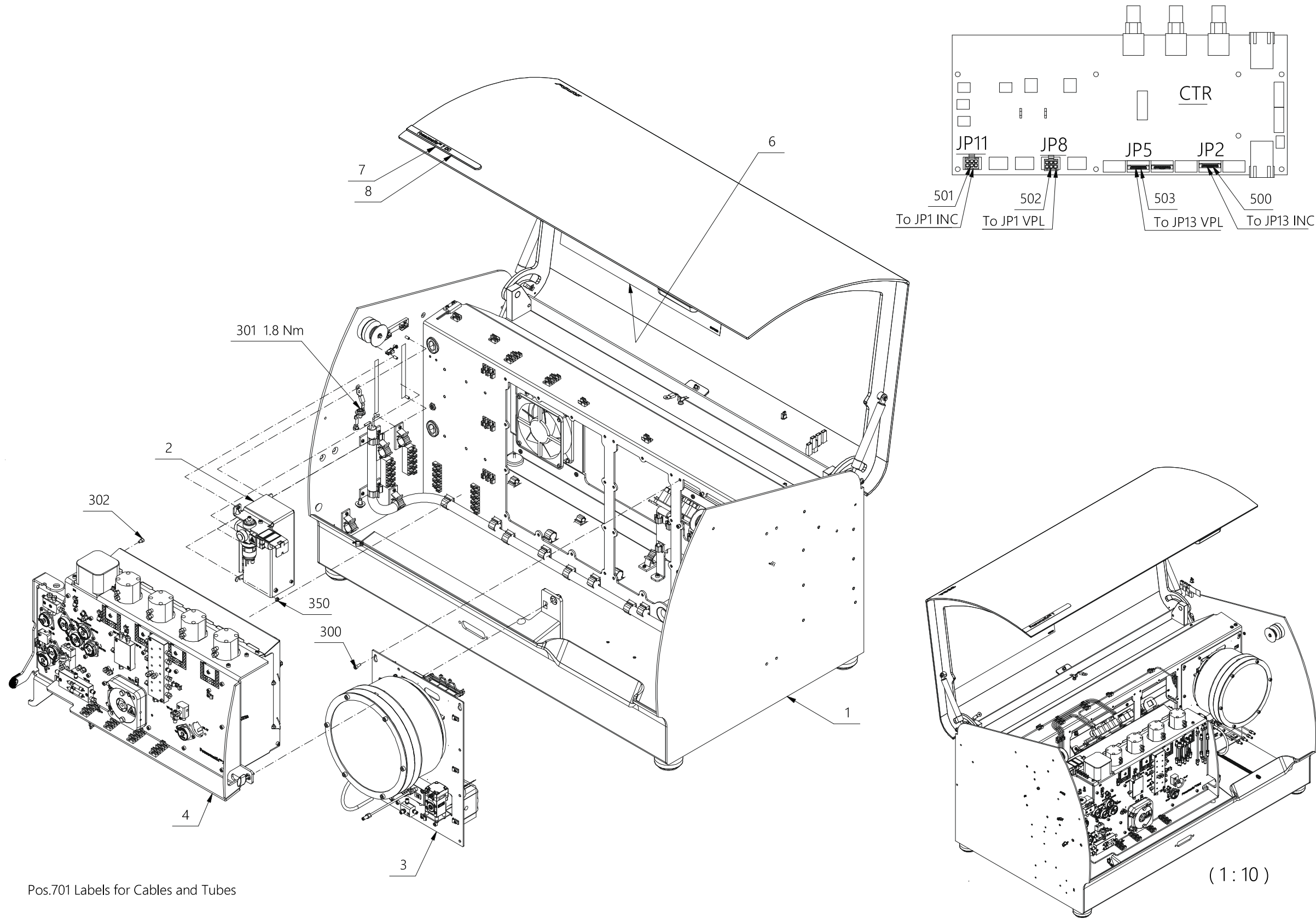
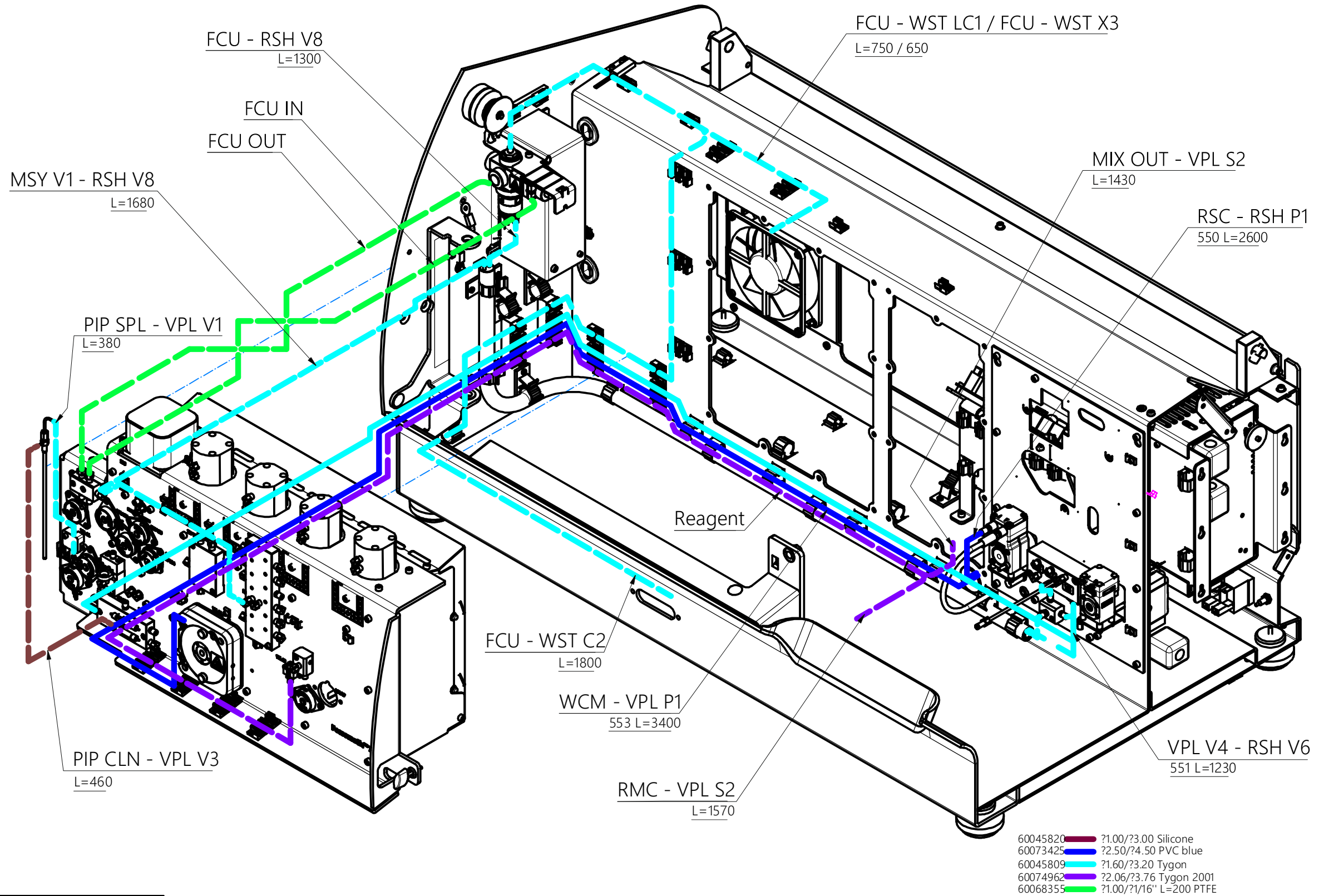


Fig. 33

**32 Main Unit****Drawing No.: 60070020      Page: 250-2**

<b>Pos.</b>	<b>Part No.</b>	<b>Description</b>	<b>Prod. No.</b>
550	60055301	PVC Ø2.5/4.5 Blue	00528570
551	60045809	Tube ø1.60/ø03.20 Tygon	00183103
553	60055301	PVC Ø2.5/4.5 Blue	00528570



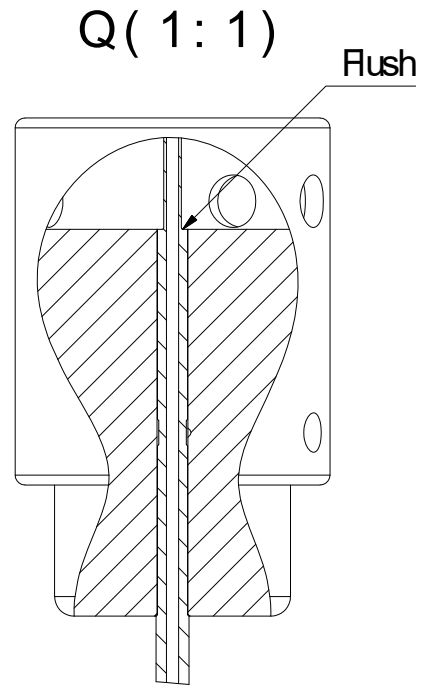
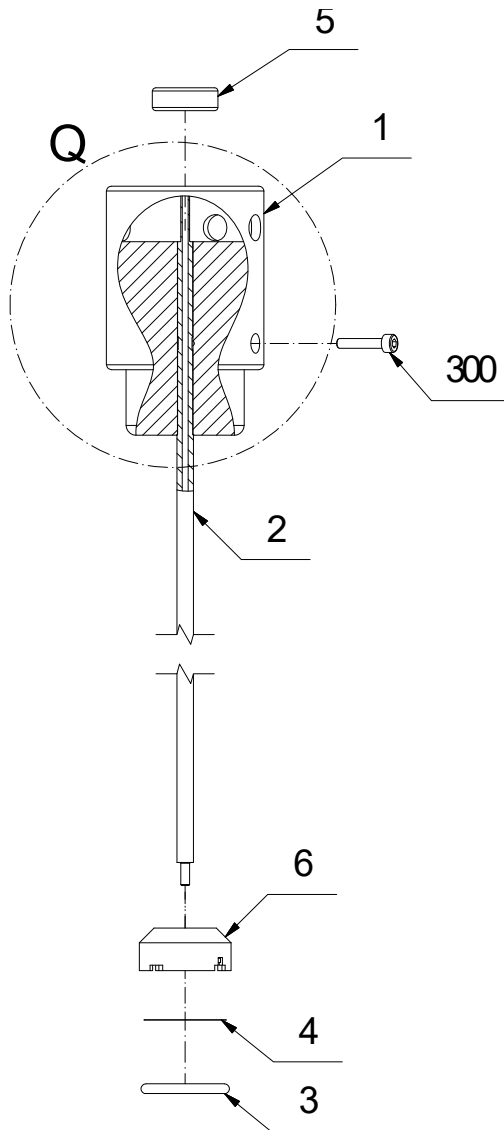
60070020 Doc. Rev.17 Doctype:95

250-2

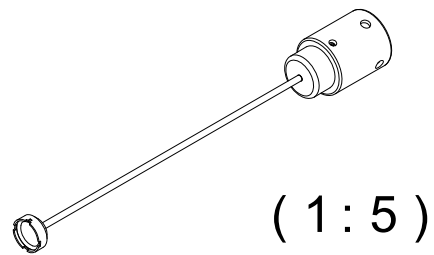
Fig. 34

**33 Pipette for 10L Container 363 mm****Drawing No.: 60062790      Page: 300-1**

<b>Pos.</b>	<b>Part No.</b>	<b>Description</b>	<b>Prod. No.</b>
2	60062791	Tube f pipette f 10L container 363 mm	
3	00301853	O-ring	
4	00216523	Filter	
6	00845123	Filter holder	



Mounting of pipette



60062790 Doc. Rev:06 Doc.type:95

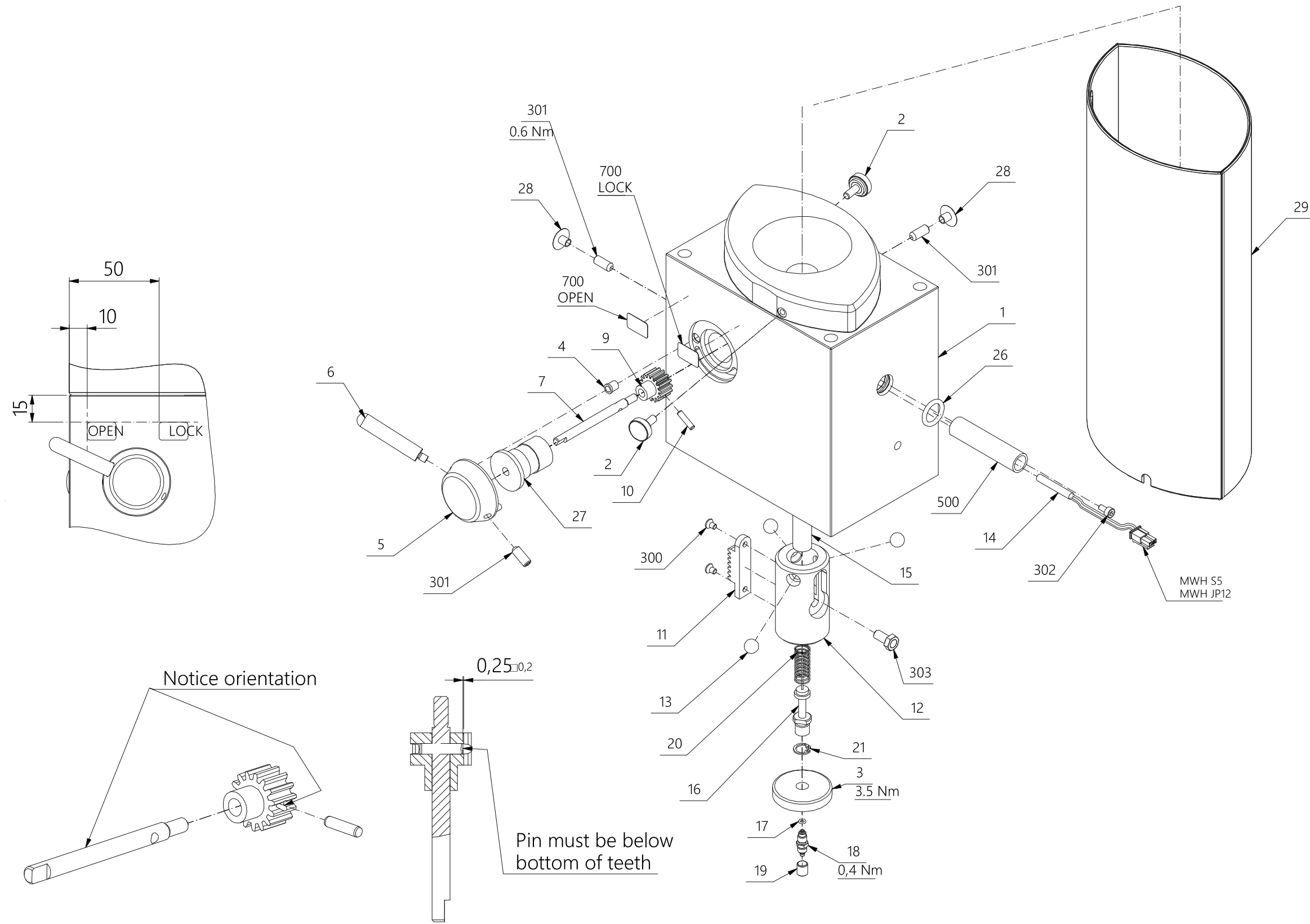
300

Fig. 35

## **34 Dye Interface Unit**

**Drawing No.: 60067730****Page: 310-1**

<b>Pos.</b>	<b>Part No.</b>	<b>Description</b>	<b>Prod. No.</b>
5	00532382	Hub	
6	00533034	Handle	
11	00532325	Tooth rack	
13	00060723	Ball	
14	60071122	Reed sensor Ø4x25,5, cpl	
16	00528067	Cannula	
17	00349407	O-ring Ø002.30xØ0.90 NBR 70shore	
18	00530295	Stub	
19	00219121	Union	
21	00533422	Retaining ring	
26	60059014	O-ring Ø011.60xØ2.40 NBR 70shore	
29	60075026	Screen welded dye interface	
301	00140806	Allen Screw M5x12 MSP	
303	60061263	Hex screw M5x10 with inserted magnet	



60067730 Doc. Rev.04 Doc.type:95

Fig. 36

## 35 Reagent Mix Unit Automatic

Drawing No.: 60061267

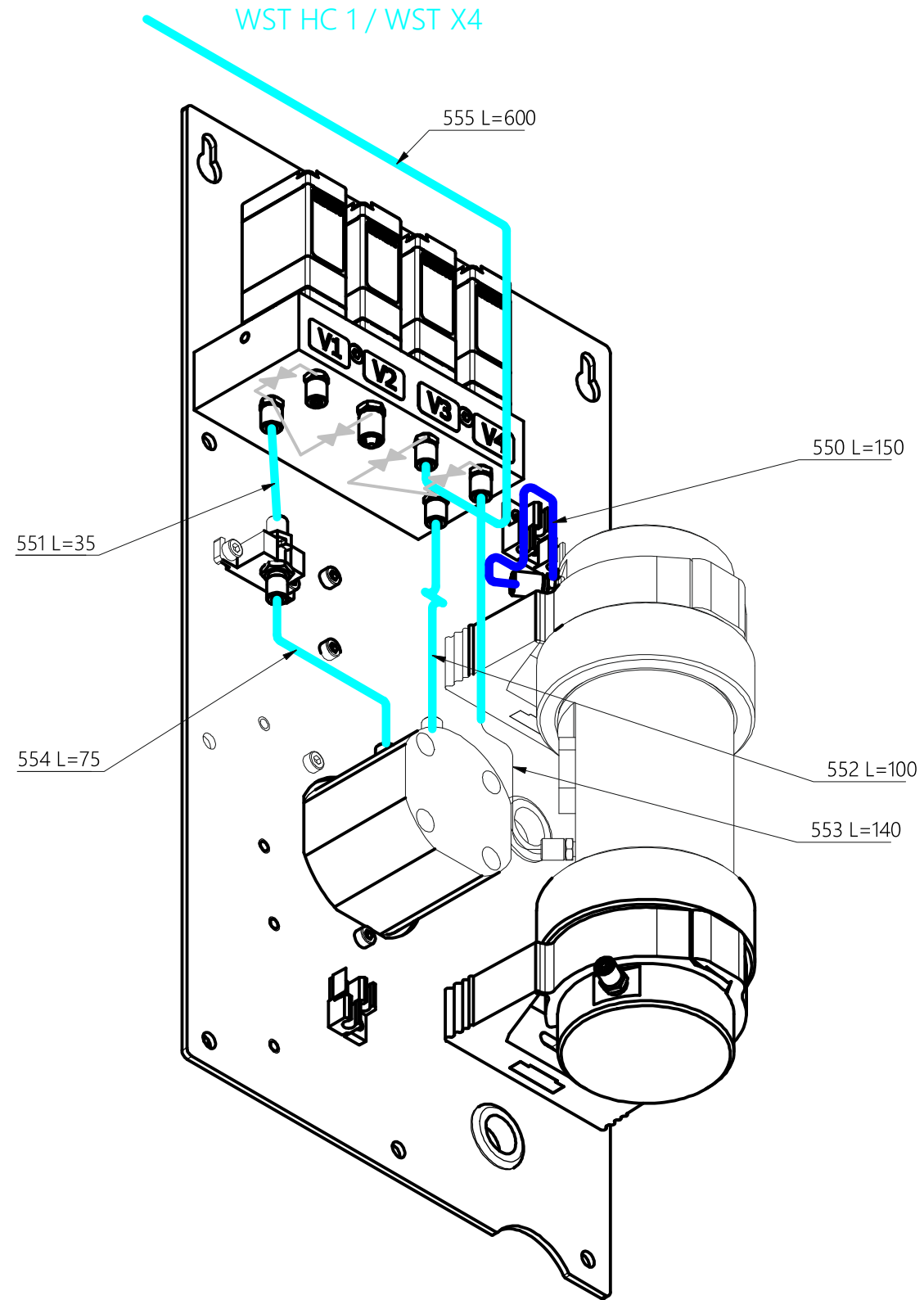
Page: 320-1

Pos.	Part No.	Description	Prod. No.
2	60078150	Chamber for reagent mix	60060285
3	60061331	Stopper reagent mix chamber	
4	60061333	O-ring Ø050.00XØ2.00 SI 65SHORE	
5	00349407	O-ring Ø002.30xØ0.90 NBR 70shore	
6	00530295	Stub	
8	60061391	Tube for optical sensor	
9	00219121	Union	
12	00049254	Cable ties 2.5mm x 100mm Pa natur	
15	60015423	O-ring Ø002.50xØ1.00	
18	60091957	Union M06x0.75 ø04.60 alu red	
19	60060705	Pipeclip ø48-55mm	
20	00101642	Cable holder	
24	60086485	Sealing ring	
25	60087966	Sensor liquid level cpl	60085279
26	60078151	Sensor optical liquid tube Ø4.70 cpl	60067278
27	60067379	Hose Connection 1/4" -28 UNF (small)	
31	60067892	Hose Connection 1/4" -28 UNF (big)	
33	60059471	Union M05x0.80 ø03.70 alu red	
34	60065855	Holder for tube Ø4.0 12 pos. PP black	
300	00227348	Allen screw M03.0x006	
301	00705228	Screw M06.0X010	
302	60054030	Allen screw M03.0x045 Mc-SS A4	
303	60073994	Screw Torx M02.0x006 MK A2	
350	60061494	Nut M05.00 SS A2 DIN 439B ISO 4035	
351	60060727	Nut insert thread f pipeclip M6	
352	00153403	Nut	
500	60071305	Cable Microfit SR 4P M/F 3x24 L280	
501	60071304	Cable Microfit SR 2P M/F 2x24 L415	
502	60073481	Cable Microfit SR 4P M/F 4x24 L310	
503	60073482	Cable Microfit DR 4P M/F 4x24 L130	



**36 Reagent Mix Unit Automatic****Drawing No.: 60061267      Page: 320-2**

<b>Pos.</b>	<b>Part No.</b>	<b>Description</b>	<b>Prod. No.</b>
32-2	60078152	Pump displacement IDEX VFP-2500µl cpl	60067741
32-3	60069860	Foam for bracket for IDEX disp. pump	
550	60055301	PVC Ø2.5/4.5 Blue	00528570
551	60045809	Tube ø1.60/ø03.20 Tygon	00183103
552	60045809	Tube ø1.60/ø03.20 Tygon	00183103
553	60045809	Tube ø1.60/ø03.20 Tygon	00183103
554	60045809	Tube ø1.60/ø03.20 Tygon	00183103
555	60045809	Tube ø1.60/ø03.20 Tygon	00183103



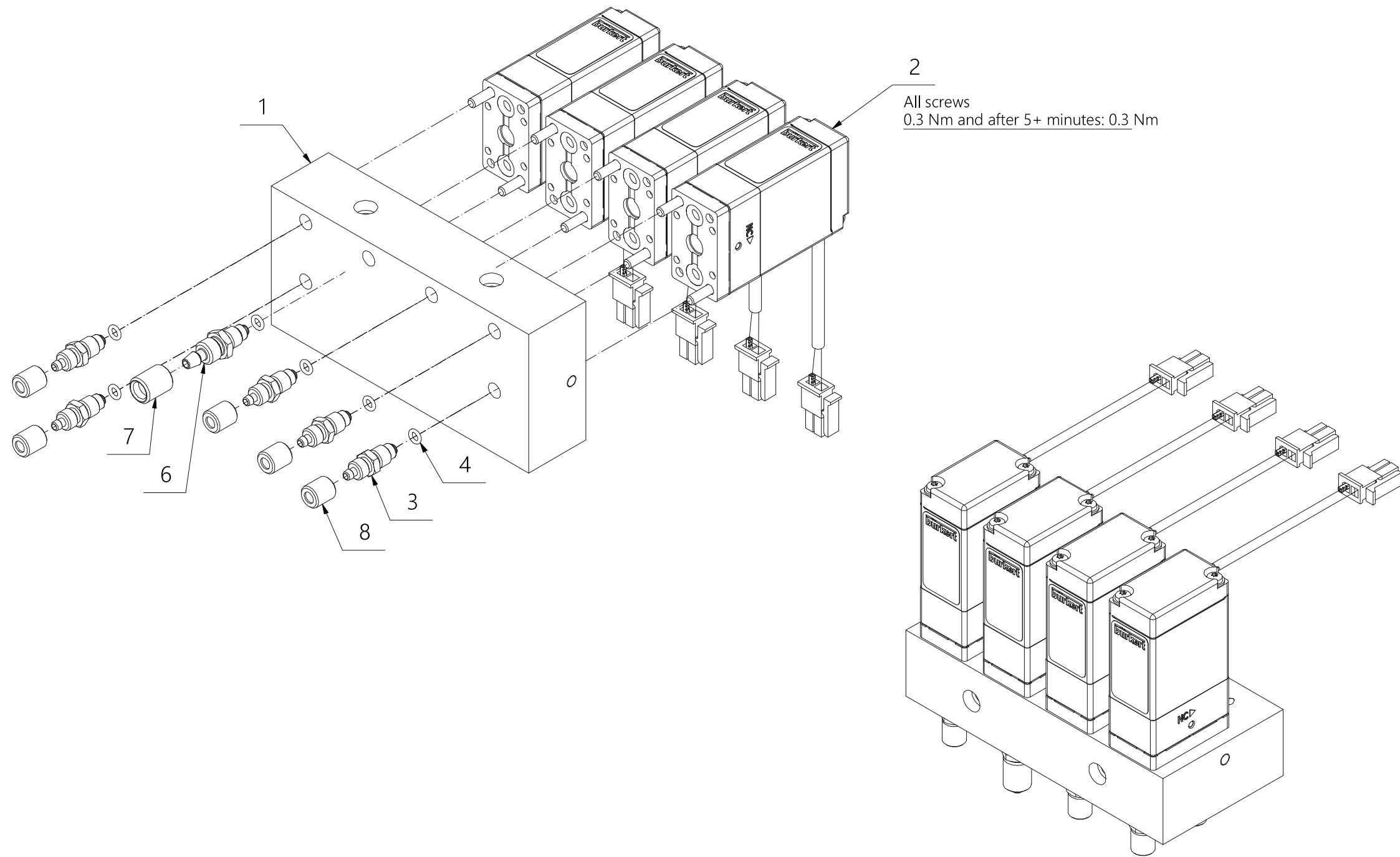
(550) - 60073425 22.50/24.50 Blue PVC  
 (551, 552, 553, 554, 555) - 60045809 1.60/23.20 Tygon

60061267 Doc. Rev.13 Doc.type:95

Fig. 38

**37 Manifold Reagent Mix with Valves****Drawing No.: 60061344      Page: 330-1**

<b>Pos.</b>	<b>Part No.</b>	<b>Description</b>	<b>Prod. No.</b>
2	60069789	Valve 2/2 NC Bürkert L600 #2x0,25 cpl	
3	00530295	Stub	
4	00349407	O-ring Ø002.30xØ0.90 NBR 70shore	
6	60045119	Hose Connection (Ø1,8)	
7	60091957	Union M06x0.75 ø04.60 alu red	
8	00219121	Union	

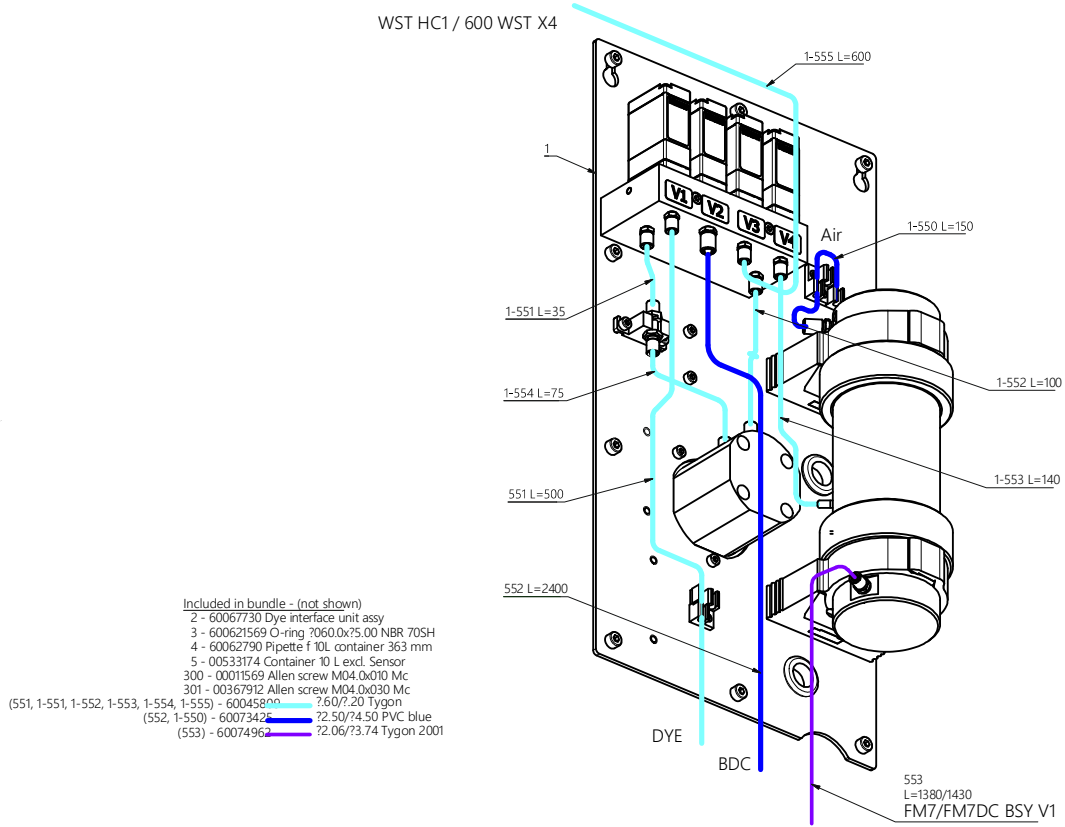


60061344 Doc. Rev.04 Doc.type:70

Fig. 39

**38 Reagent Mix Unit Automatic****Drawing No.: 60070013****Page: 340-1**

<b>Pos.</b>	<b>Part No.</b>	<b>Description</b>	<b>Prod. No.</b>
3	60062569	O-ring Ø060.0xØ5.00 NBR 70SH	
551	60045809	Tube ø1.60/ø03.20 Tygon	00183103
552	60055301	PVC Ø2.5/4.5 Blue	00528570
553	60074962	Tube øø 02.06/03.74 Tygon 2001	60074791



60070013 Doc Rev08 Doctype95

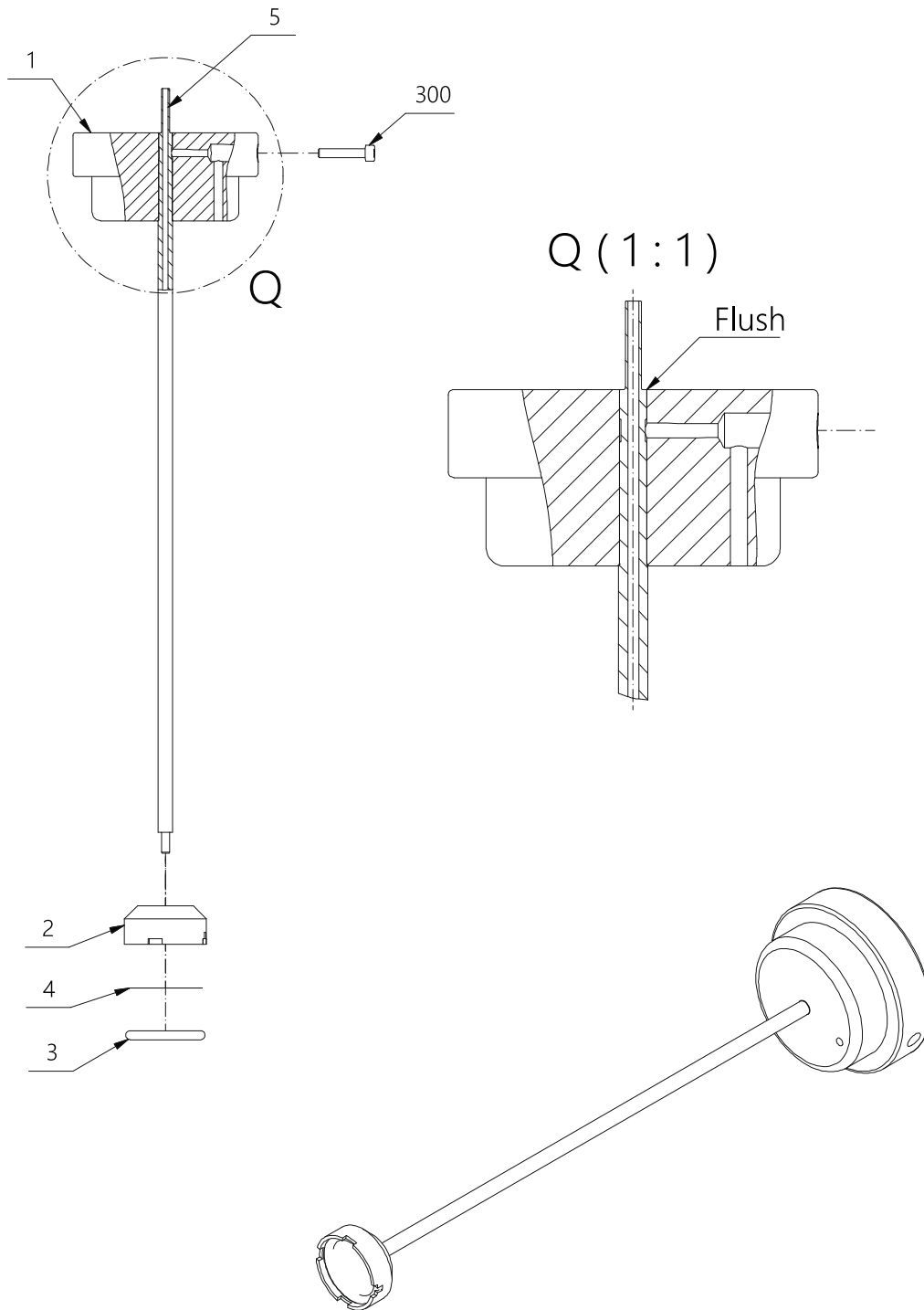
340

Fig. 40

## **39 Pipette f 2L container 260 mm**

**Drawing No.:** 60072926      **Page:** 350-1

<b>Pos.</b>	<b>Part No.</b>	<b>Description</b>	<b>Prod. No.</b>
2	00845123	Filter holder	
3	00301853	O-ring	
4	00216523	Filter	
5	60072925	Tube f pipette f 02L container 260 mm	
300	00108480	Allen screw M03.0x016	



60072926 Doc. Rev:03 Doc.type:95

350

*Fig. 41*

## **40 Reagent Mix Unit Manual**

**Drawing No.:****Page: 360-1**

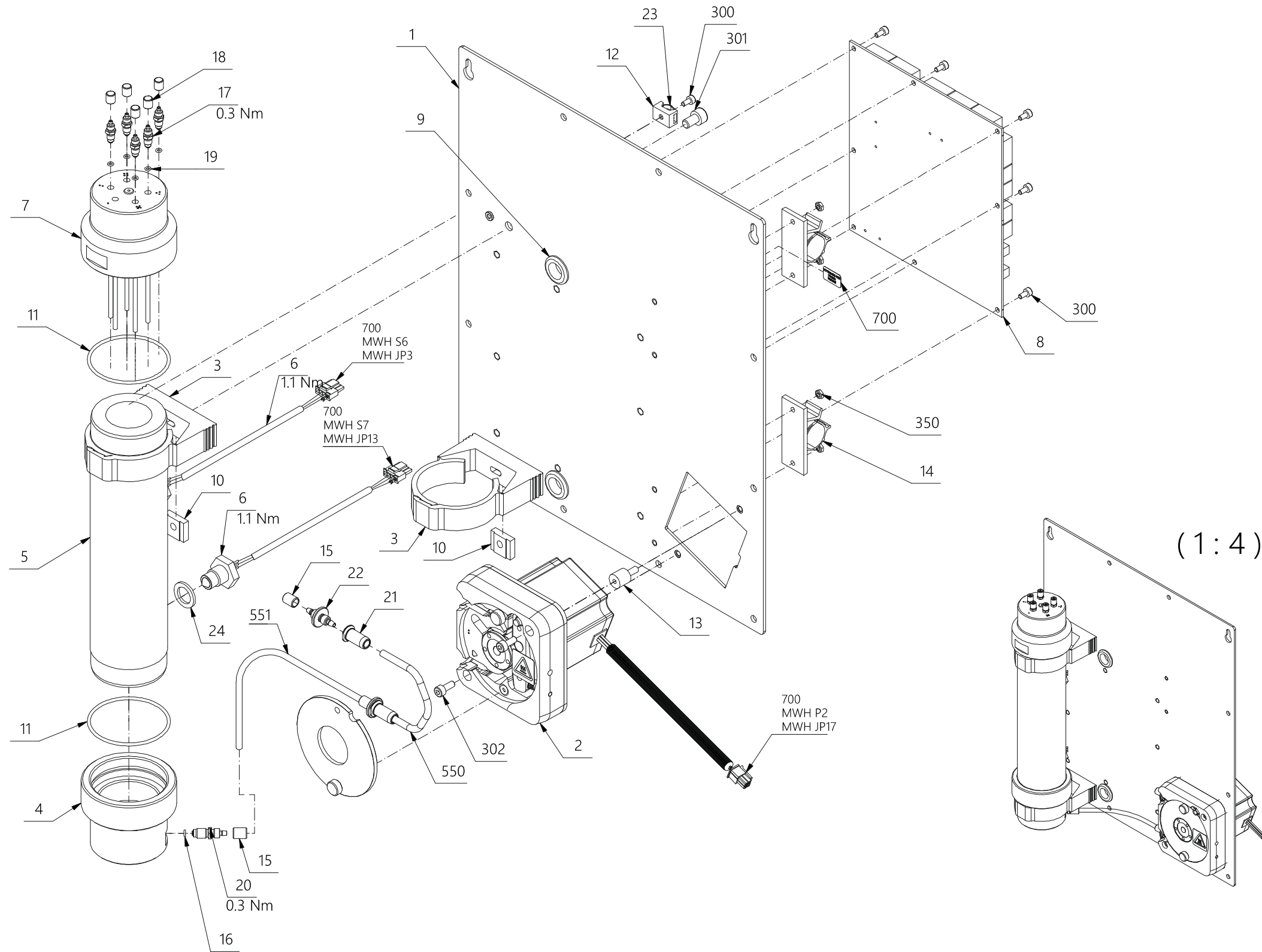
<b>Pos.</b>	<b>Part No.</b>	<b>Description</b>	<b>Prod. No.</b>
2	60074631	Bottle 2000ml PP translucent incl. cap	
5	60075490	Tube clip ø03.90 POM red	
300	00011569	Allen screw M4x10	
550	60074962	Tube øø 02.06/03.74 Tygon 2001	60074791



## 41 Waste Module Single

**Drawing No.: 60064385****Page: 370-1**

<b>Pos.</b>	<b>Part No.</b>	<b>Description</b>	<b>Prod. No.</b>
3	60060705	Pipeclip ø48-55mm	
4	60061331	Stopper reagent mix chamber	
5	60078137	Chamber for waste	60059349
6	60078138	Sensor liquid level optical cpl	60064486
7	60078139	Stopper waste chamber top cpl	60061651
8	01052175	Pcb assy MWH Control PCB FM7	
10	60060727	Nut insert thread f pipeclip M6	
11	60061333	O-ring Ø050.00XØ2.00 SI 65SHORE	
13	00329458	Damper	
15	00495135	Union	
16	60015423	O-ring Ø002.50xØ1.00	
17	00530295	Stub	
18	00219121	Union	
19	00349407	O-ring Ø002.30xØ0.90 NBR 70shore	
20	60067892	Hose Connection 1/4" -28 UNF (big)	
21	60069171	Fitting for Ø2.79x4.39 marprene	
22	00495499	Hose connection	
300	00227348	Allen screw M03.0x006	
550	00400754	Marprene Ø2.8/4.4	
551	00528570	PVC Ø2.5/4.5 Blue	



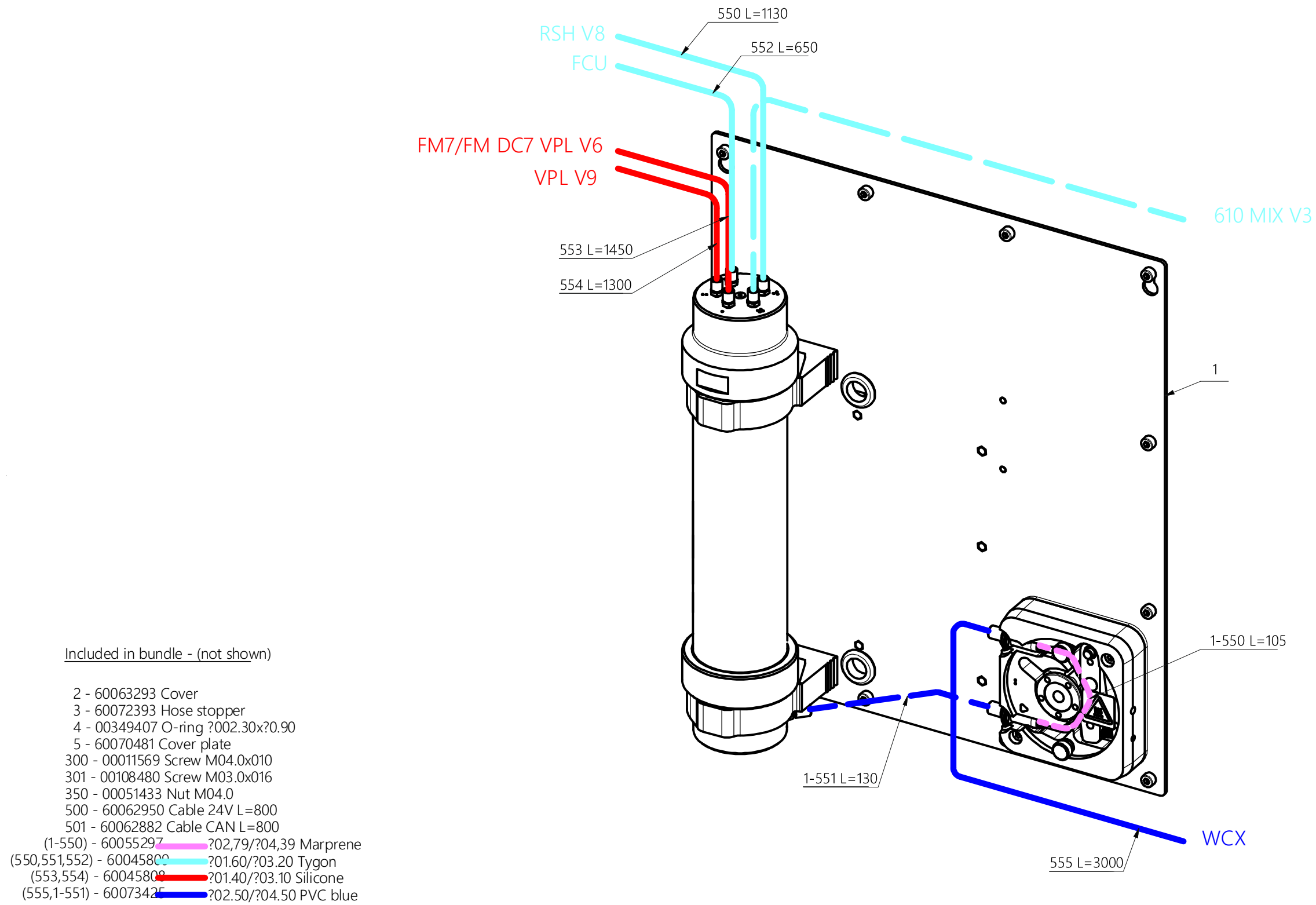
60064385 Doc.Rev:08 Doc.type:95

370

Fig. 42

**42 Waste Module Single BDL****Drawing No.: 60070015      Page: 380-1**

<b>Pos.</b>	<b>Part No.</b>	<b>Description</b>	<b>Prod. No.</b>
2	60073293	Cover for basic waste hole cpl	
350	00051433	Nut M4	
550	60045809	Tube Tygon	00183103
552	60045809	Tube Tygon	00183103
553	60045808	Tube øø 01.4/03.1 Silicone	00101287
554	60045808	Tube øø 01.4/03.1 Silicone	00101287



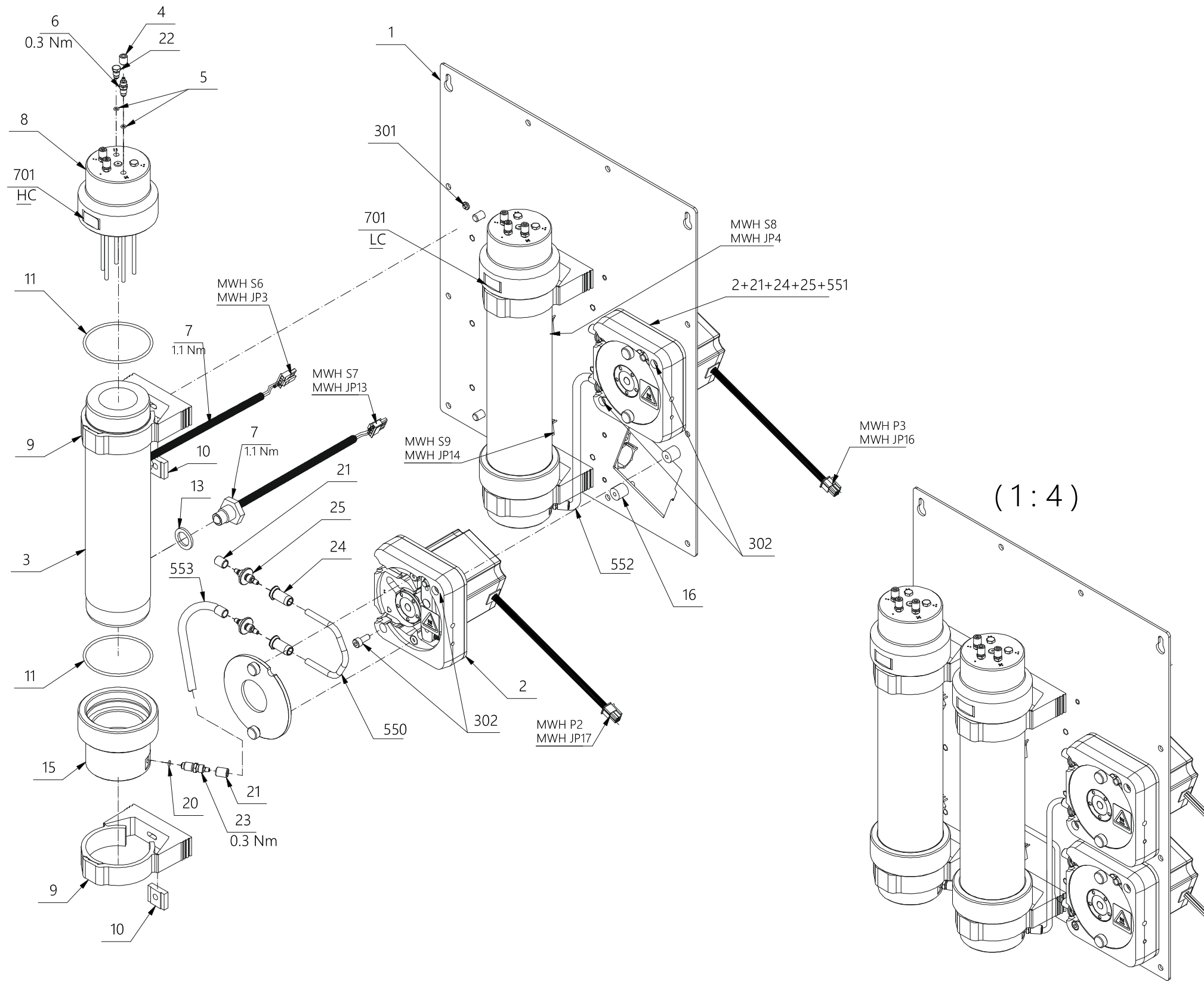
60070015 Doc. Rev:08 Doc.type:95

Fig. 43

## 43 Waste Module Double

**Drawing No.:** 60060918      **Page:** 400-1

Pos.	Part No.	Description	Prod. No.
3	60078137	Chamber for waste	60059349
4	00219121	Union	
5	00349407	O-ring Ø002.30xØ0.90 NBR 70shore	
6	00530295	Stub	
7	60078138	Sensor liquid level optical cpl	60064486
8	60078139	Stopper waste chamber top cpl	60061651
9	60060705	Pipeclip ø48-55mm	
10	60060727	Nut insert thread f pipeclip M6	
11	60061333	O-ring Ø050.00XØ2.00 SI 65SHORE	
15	60061331	Stopper reagent mix chamber	
20	60015423	O-ring Ø002.50xØ1.00	
21	00495135	Union	
22	60072393	Hose Stopper (blind)	
23	60067892	Hose Connection 1/4" -28 UNF (big)	
24	60069171	Fitting for Ø2.79x4.39 marprene	
25	00495499	Hose connection	
550	00400754	Marprene Ø2.8/4.4	
551	00400754	Marprene Ø2.8/4.4	
552	00528570	PVC Ø2.5/4.5 Blue	
553	00528570	PVC Ø2.5/4.5 Blue	



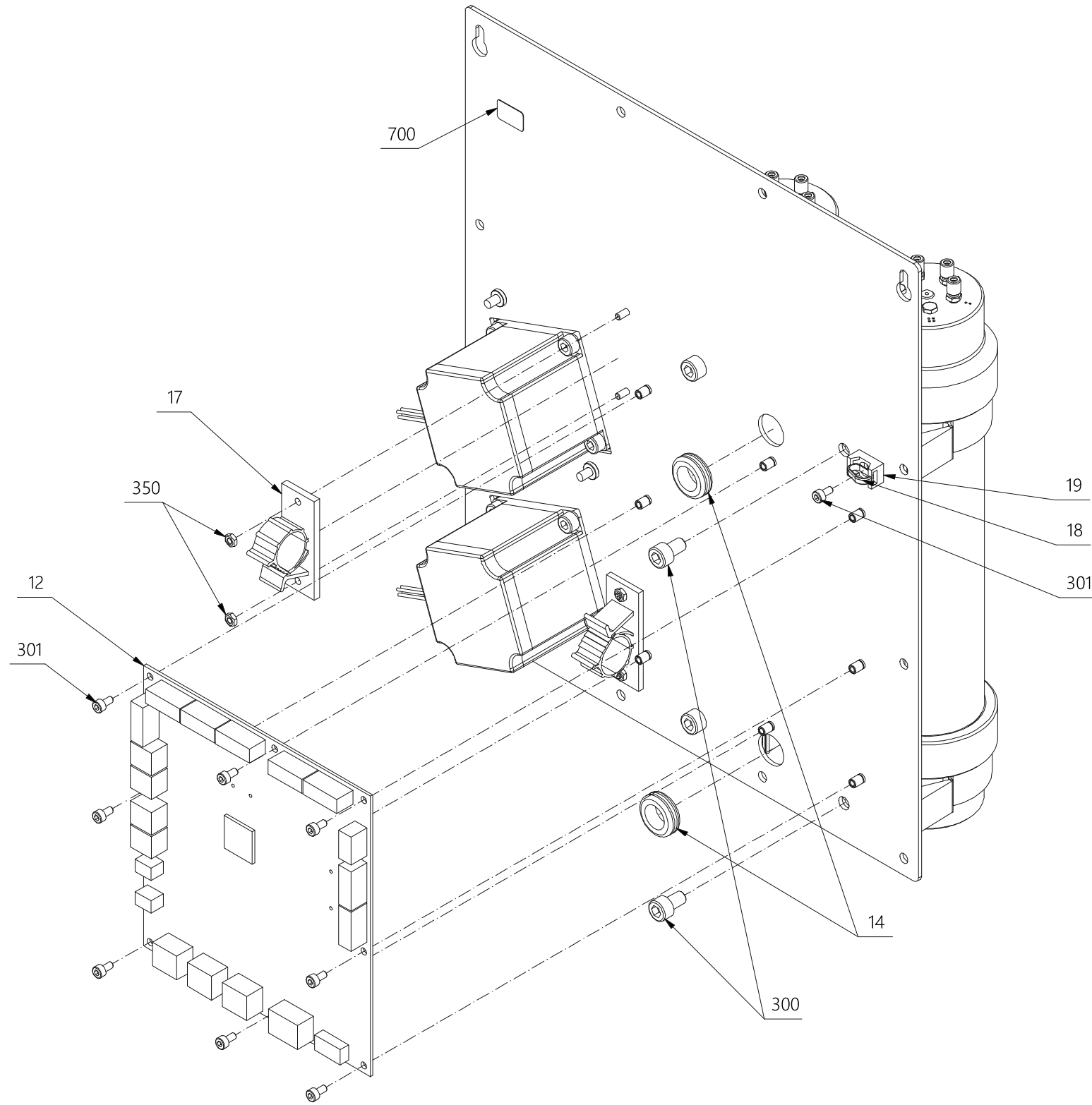
60060918 Doc. Rev:12 Doc.type:95

400-1

Fig. 44

**44 Waste Module Double****Drawing No.: 60060918      Page: 400-2**

<b>Pos.</b>	<b>Part No.</b>	<b>Description</b>	<b>Prod. No.</b>
12	01052175	Pcb assy MWH Control PCB FM7	
19	00101642	Cable holder	
300	00705228	Screw M06.0X010	
301	00227348	Allen screw M03.0x006	



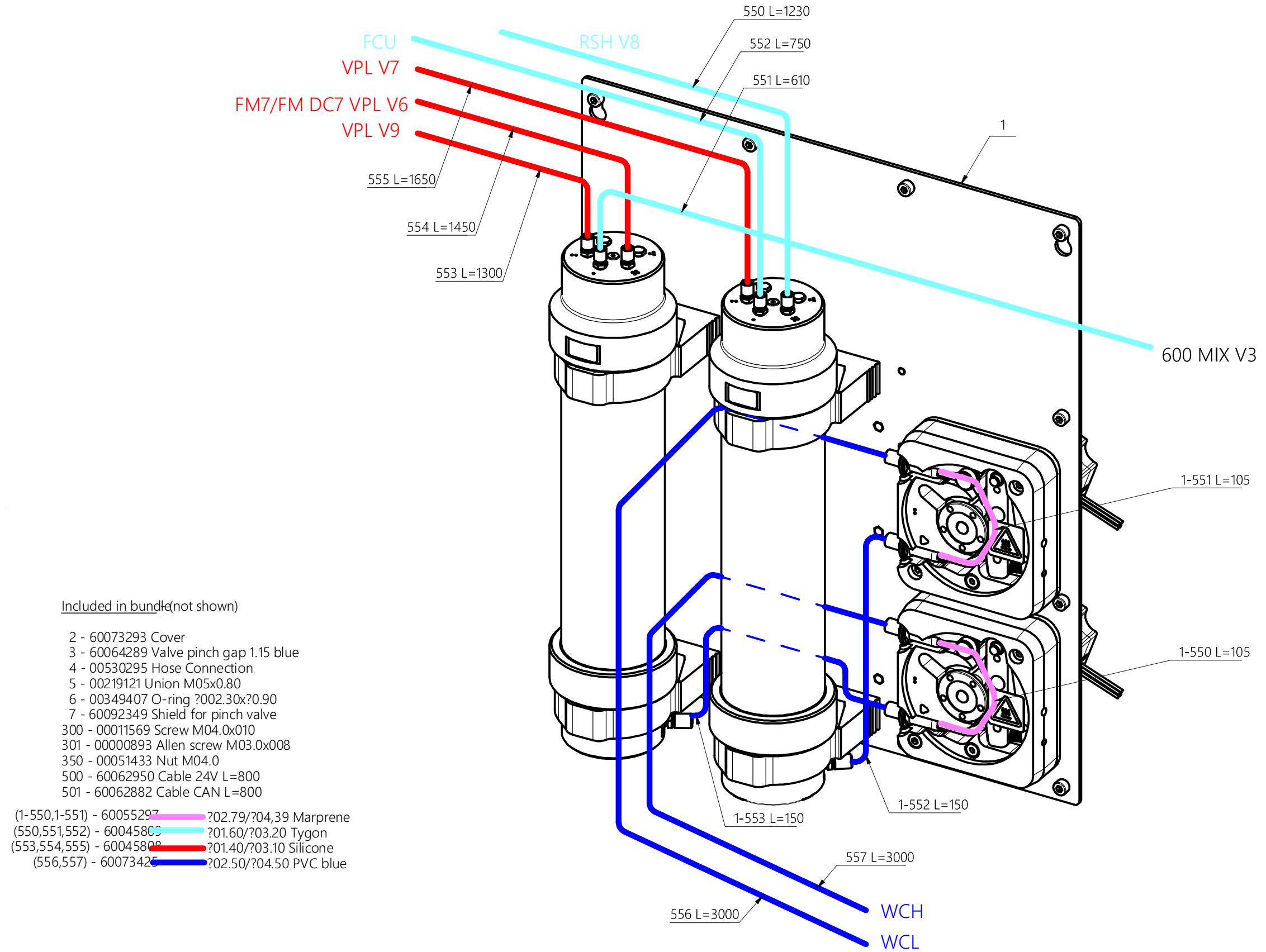
60060918 Doc. Rev.12 Doc.type:95

400-2

Fig. 45

**45 Waste Module Double BDL****Drawing No.: 60070016****Page: 410-1**

<b>Pos.</b>	<b>Part No.</b>	<b>Description</b>	<b>Prod. No.</b>
2	60073293	Cover for basic waste hole cpl	
3	60064289	Valve pinch gap 1.15 blue L=600-2x0.25	
4	00530295	Stub	
5	00219121	Union	
6	00349407	O-ring Ø002.30xØ0.90 NBR 70shore	
7	60092349	Shield for pinch valve	
300	00011569	Allen screw M4x10	
301	00000893	Allen screw	
350	00051433	Nut M4	
500	60062950	Cable Microfit DR 6P F/F 4x20 L825	
501	60062882	Cable Minibridge 8P F/F 8x26 L815	
550	60045809	Tube ø1.60/ø03.20 Tygon	00183103
551	60045809	Tube ø1.60/ø03.20 Tygon	00183103
552	60045809	Tube ø1.60/ø03.20 Tygon	00183103
553	60045808	Tube øø 01.4/03.1 Silicone	00101287
554	60045808	Tube øø 01.4/03.1 Silicone	00101287
555	60045808	Tube øø 01.4/03.1 Silicone	00101287
556	60055301	PVC Ø2.5/4.5 Blue	00528570
557	60055301	PVC Ø2.5/4.5 Blue	00528570



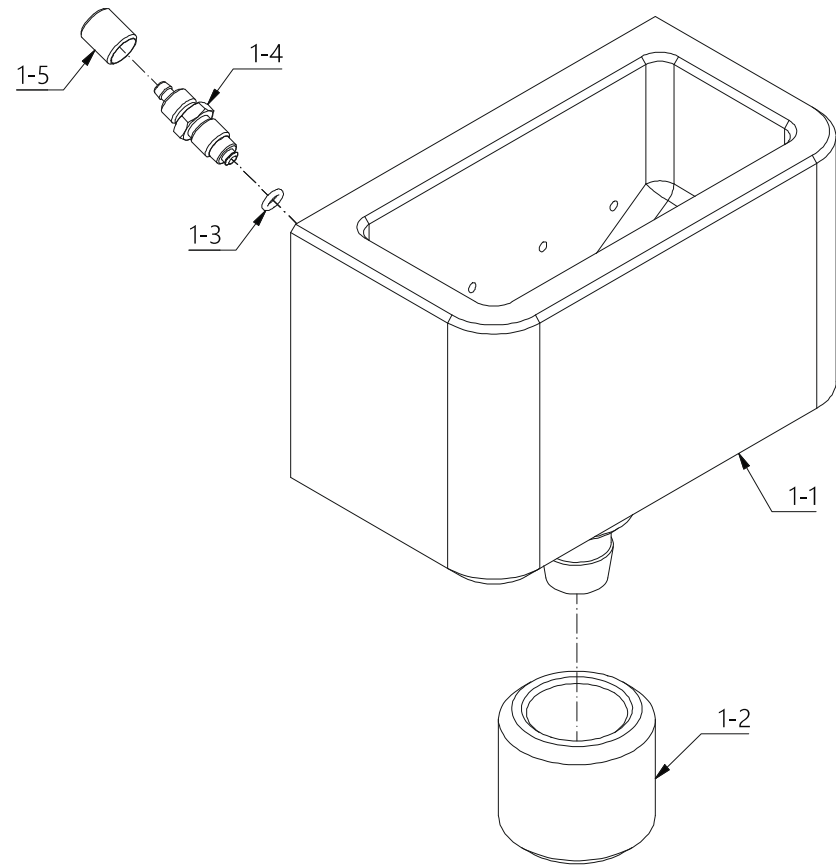
60070016 Doc. Rev:07 Doc.type:95

Fig. 46

## 46 Waste Unit Cup

*Drawing No.: 60070014**Page: 420-1*

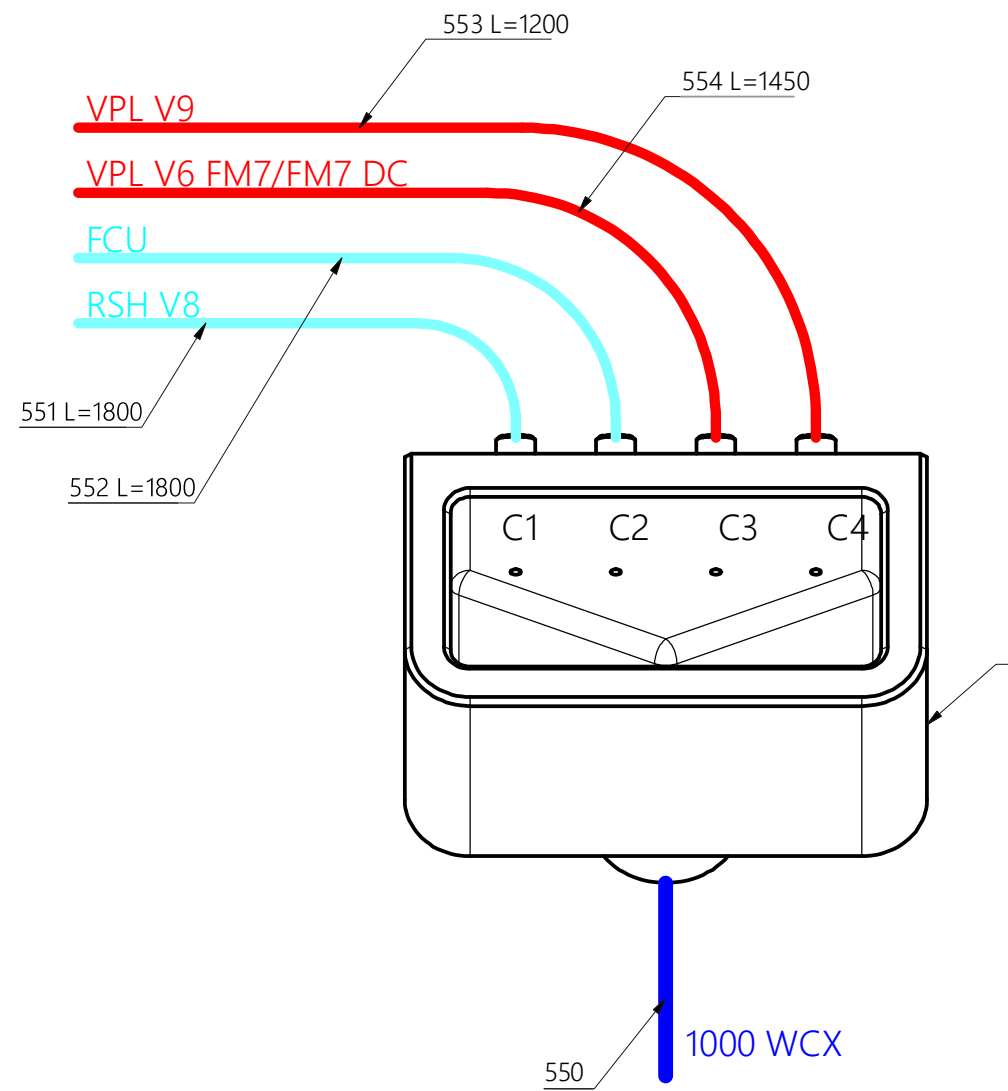
<b>Pos.</b>	<b>Part No.</b>	<b>Description</b>	<b>Prod. No.</b>
1-1	60065890	Waste cup basic	
1-2	00499921	Union	
1-3	00349407	O-ring Ø002.30xØ0.90 NBR 70shore	
1-4	00530295	Stub	
1-5	00219121	Union	
5	00349407	O-ring Ø002.30xØ0.90 NBR 70shore	
6	60078160	Lid for wastecup	60072629
550	00102921	Pvc Ø10/14	
551	60045809	Tube ø1.60/ø03.20 Tygon	00183103
552	60045809	Tube ø1.60/ø03.20 Tygon	00183103
553	60045808	Tube øø 01.4/03.1 Silicone	00101287
554	60045808	Tube øø 01.4/03.1 Silicone	00101287



Included in bundle(not shown)

- 2 - 60067677 Plate back Waste Cup Blank
- 3 - 60070481 Cover plate for Tubevalve
- 4 - 60072393 Hose Stopper (blind)
- 5 - 00349407 O-ring ?002.30x?0.90 NBR 70shore
- 6 - 60072629 Lid for wastecup
- 300 - 00011569 Allen screw M04.0x010 Mc- SS
- 301 - 00227348 Allen screw M03.0x006 Mc-SS

- (551-552) - 60045800 ?1.60/?3.20 Tygon (00183103)
- (553-554) - 60045802 ?1.40/?3.10 Silicone (00101287)
- (550) - 60055290 ?10.0/?14.0 PVC (00102921)

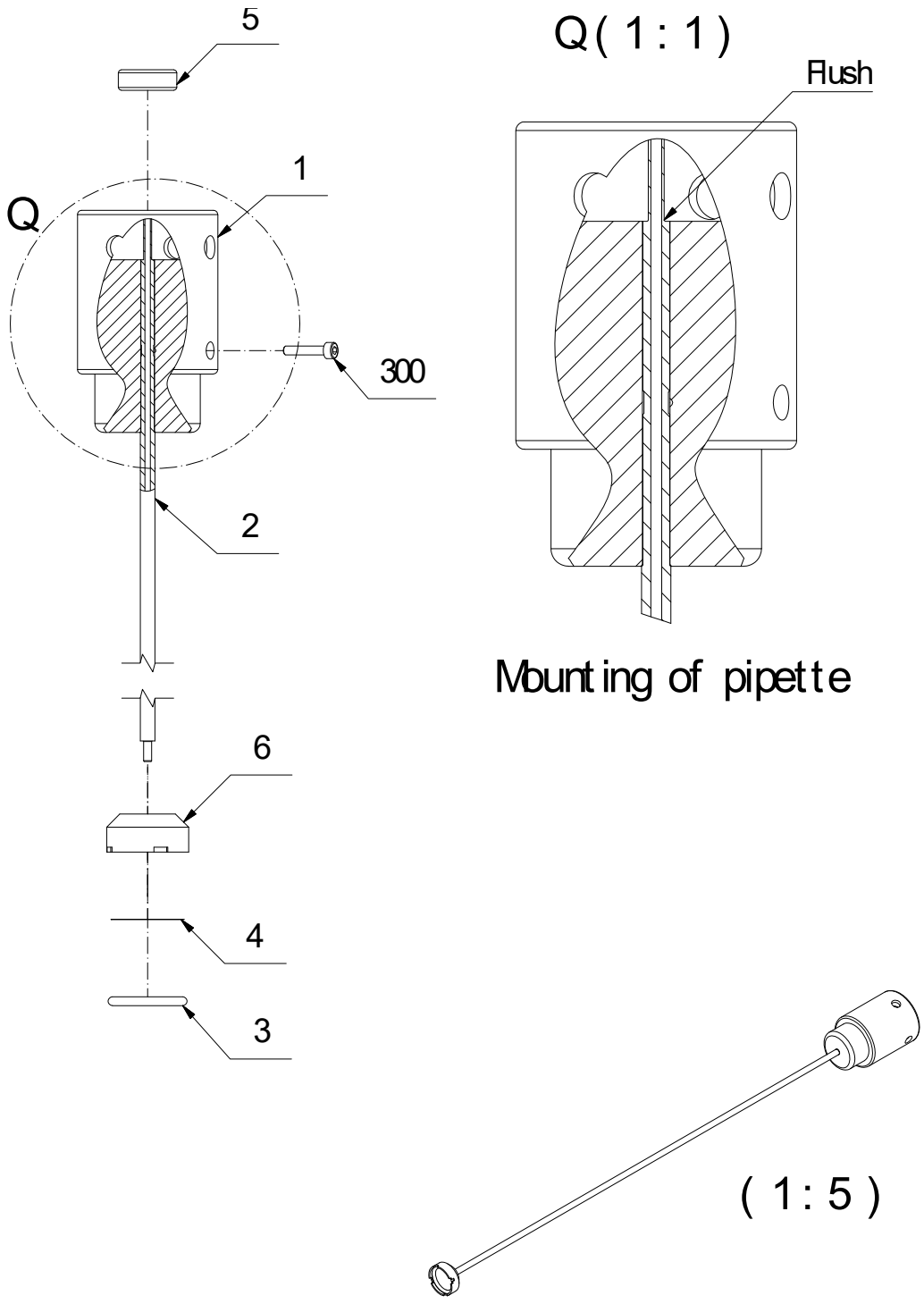


60070014 Doc. Rev:05 Doctype:95

Fig. 47

**47 Pipette for 50L Container 548 mm****Drawing No.: 60061771      Page: 430-1**

<b>Pos.</b>	<b>Part No.</b>	<b>Description</b>	<b>Prod. No.</b>
2	60061774	Tube f pipette f 50L container 548 mm	
3	00301853	O-ring	
4	00216523	Filter	
5	00533893	Tube squeezer	
6	00845123	Filter holder	
300	00108480	Allen screw M03.0x016	



60061771 Doc. Rev:05 Doc.type:95

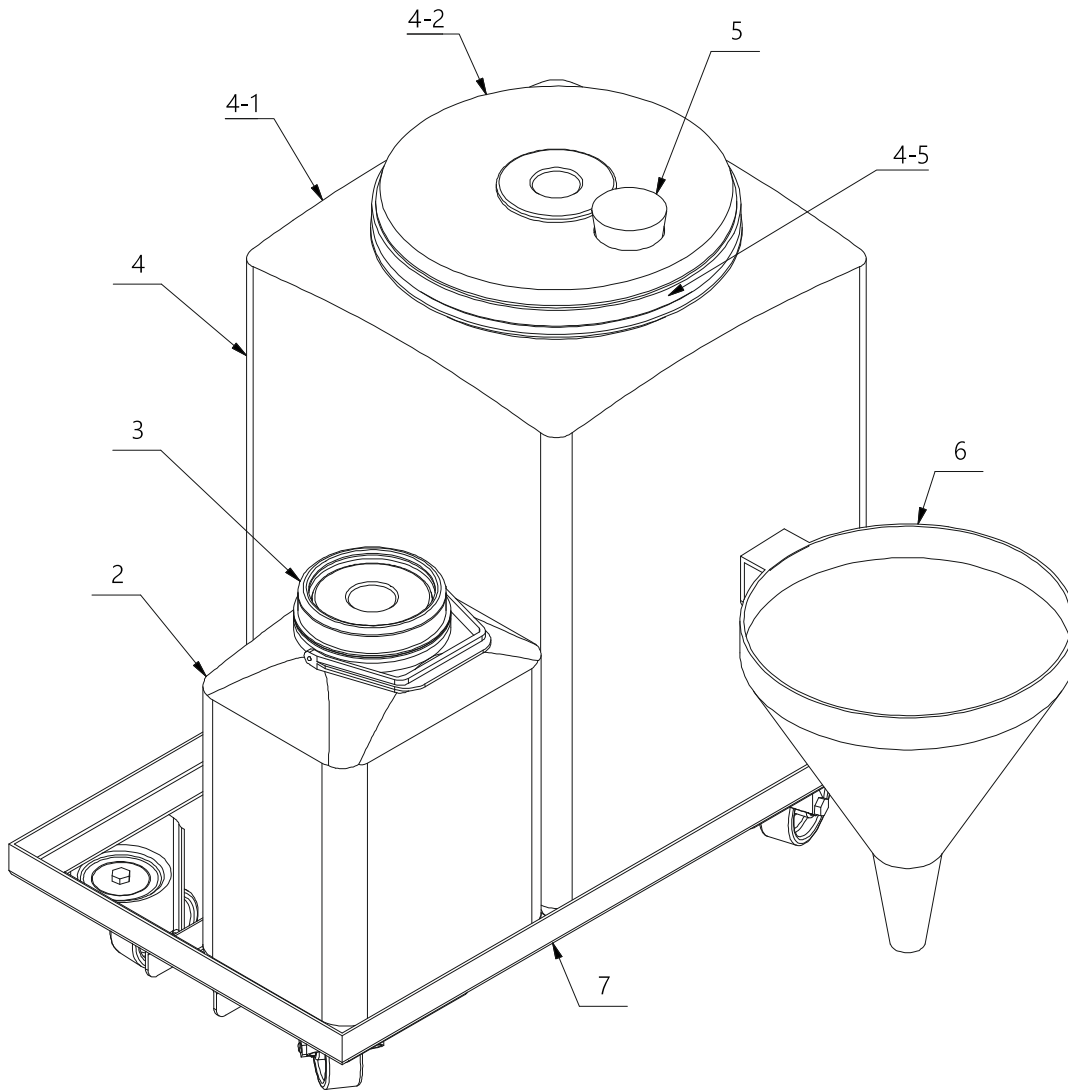
430

Fig. 48

## **48 Trolley with Containers**

**Drawing No.: 60072911****Page: 450-1**

<b>Pos.</b>	<b>Part No.</b>	<b>Description</b>	<b>Prod. No.</b>
1	00577007	Trolley	
3	00532887	Lid with gasket 100 mm 5+10 l container	
4-1	00533133	Container	
4-2	60002041	Lid	
4-5	00532879	Rubber Band	
5	01032255	Plug for container trolley	
6	01032254	Funnel for container trolley	



60072911 Doc. Rev:02 Doc.type:95

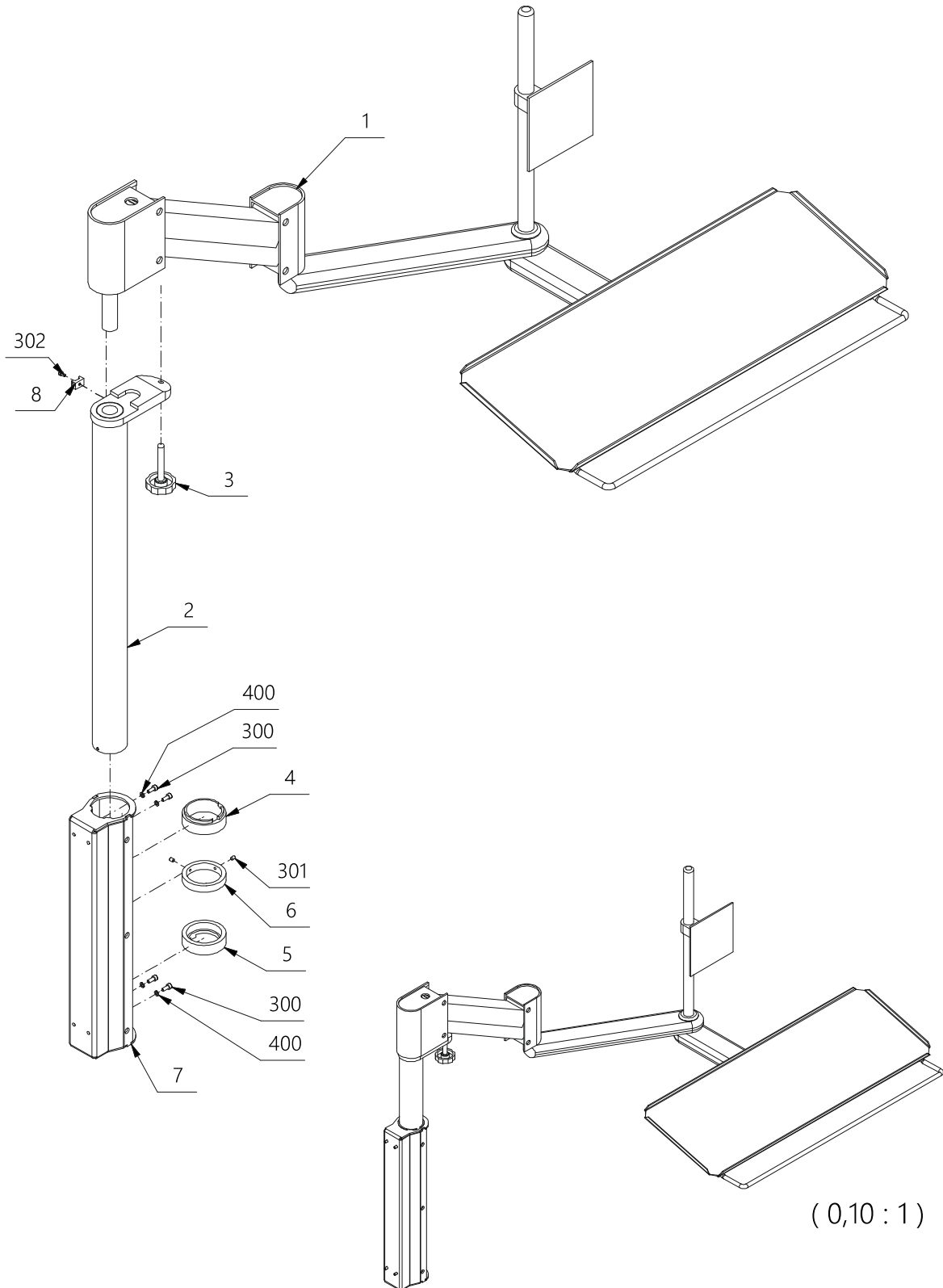
450

*Fig. 49*

## **49 Monitor Arm 7**

**Drawing No.: 60078308      Page: 500-1**

<b>Pos.</b>	<b>Part No.</b>	<b>Description</b>	<b>Prod. No</b>
1	01055005	Monitor arm for flat screen	
3	60078323	Finger screw M8x55	
4	01010572	Bushing upper	
5	01010571	Bushing low	
6	01010570	Stopring	
7	01010573	Bracket for monitor arm	
8	00101642	Cable holder	
300	00011569	Allen screw M4x10	
301	00108084	Allen screw M04.0x006	
302	00227348	Allen screw M03.0x006	
400	00109108	Springwasher	



60078308 Doc. Rev:01 Doc.type:95

500

Fig. 50

## **50 Monitor Arm FM 7 plus MSC 7 RM**

**Drawing No.:****Page: 510-1**

<b>Pos.</b>	<b>Part No.</b>	<b>Description</b>	<b>Prod. No.</b>
2-1	01015436	Cable USB ext. 1,8 m	
2-4	60076156	Power cable extension 1m	



**51 Index**

<b>Part No.</b>	<b>Page</b>		
00000893	60, 96	00495135	88, 92
00011569	10, 30, 38, 54, 60, 86, 96, 104	00495499	60, 88, 92
00043232	30	00496851	56
00049254	56, 76	00499921	98
00051433	38, 90, 96	00503797	8
00054007	8	00525360	34
00060251	12, 44	00528067	74
00060723	74	00528083	26
00101642	76, 104	00528570	88, 92
00102921	98	00530295	6, 14, 16, 18, 56, 60, 74, 76, 80, 88, 92, 96, 98
00108084	104	00531921	26
00108480	26, 28, 60, 84, 100	00532325	74
00109108	104	00532382	74
00111872	10, 54	00532879	102
00123182	22, 64	00532887	102
00140525	28, 56	00533034	74
00140806	74	00533133	102
00144592	8, 12	00533422	74
00153403	10, 32, 54, 62, 76	00533893	100
00153411	26	00534040	28
00198499	6	00534057	28
00215301	50	00534065	28
00216523	72, 84, 100	00534073	28
00218610	60	00534156	28
00219121	6, 18, 26, 30, 52, 60, 74, 76, 80, 88, 92, 96, 98	00557488	20, 62
00227348	10, 12, 30, 32, 34, 52, 54, 56, 60, 76, 88, 104	00577007	102
00231332	10, 54	0066480	36
00231837	8	00705228	38, 76
00243667	8	00821744	46
00256701	36, 38	00845123	72, 84, 100
00277137	36	01010570	104
00301853	72, 84, 100	01010571	104
00323972	34	01010572	104
00329458	60, 88	01010573	104
00337113	42	01010729	36
00349407	6, 14, 16, 18, 56, 60, 74, 76, 80, 88, 92, 96, 98	01010887	6
00367482	36	01015414	34
00367912	30	01015436	106
00369835	30	01032254	102
00390120	30, 52	01032255	102
00400754	18, 64, 88, 92	01052173	36
00433698	8	01052175	88
00477471	6	01052179	48
00495085	8	01052181	10, 54
		01052185	52
		01052187	30
		01052363	54
		01055005	104
		10006693	8

60002041	102	60062939	38, 68
60002342	36	60062950	36, 96
60015274	56	60063102	28
60015338	46	60063702	34
60015423	30, 52, 76, 88, 92	60063835	30
60015457	46	60063890	22, 64
60024144	8	60063937	30, 52
60026945	28	60064289	18, 60, 96
60034902	34	60064326	12, 44, 56
60041799	46	60064329	36
60045119	14, 80	60064347	32
60045344	44	60064348	32
60045808	22, 64, 90, 96, 98	60064457	22, 50, 64
60045809	22, 34, 40, 50, 64, 70, 78, 82, 90, 96, 98	60064458	22, 64
60047911	30, 52	60065373	46
60048004	36	60065530	30
60048020	36	60065855	60, 76
60049056	10	60065890	98
60054030	30, 76	60066158	46
60054130	48	60066243	46
60054750	48	60066244	46
60055301	22, 40, 50, 64, 70, 78, 82, 96	60066498	34
60055313	50	60066617	36
60056800	36	60066859	36
60059014	74	60066909	30
60059307	26	60067052	44
60059310	26	60067084	12
60059312	26	60067268	46
60059471	60, 76	60067270	48
60059620	26	60067274	44
60059621	26	60067279	48
60060705	76, 88, 92	60067290	42
60060727	76, 88, 92	60067292	48
60061200	46	60067360	42
60061206	8	60067372	18
60061263	74	60067377	18, 60
60061331	76, 88, 92	60067379	30, 52, 76
60061333	76, 88, 92	60067559	60
60061391	18, 60, 76	60067619	68
60061494	60, 76	60067620	68
60061531	8	60067892	76, 88, 92
60061774	100	60068100	46
60061796	8	60068355	22, 64
60062383	30, 52	60068356	22, 64
60062569	82	60068357	22, 64
60062791	72	60069113	28
60062808	36	60069171	60, 88, 92
60062833	34	60069444	50
60062882	36, 96	60069526	46
60062883	38, 68	60069527	46
60062885	32	60069789	14, 16, 46, 80
60062938	36	60069860	20, 62, 78
		60069875	48
		60069881	18, 60

60070290	36	60078152	20, 62, 78
60070372	30, 52	60078153	46
60070569	6	60078154	44
60071122	74	60078155	46
60071304	76	60078156	48
60071305	76	60078157	6
60071394	48	60078158	20, 62
60071569	32	60078159	32
60071603	46	60078160	98
60071714	6	60078323	104
60071721	6	60079344	12
60072393	92	60079389	60
60072596	16	60079707	56
60072615	34	60080334	18, 60
60072658	18, 60	60082306	34
60072677	18, 60	60083913	26
60072925	84	60083924	26
60073129	46	60083936	26
60073293	90, 96	60084065	26
60073364	22, 50, 64	60084341	28
60073481	76	60084545	28
60073482	76	60084738	20, 60
60073994	18, 34, 60, 76	60085434	30, 52
60074129	8	60086360	46
60074237	22, 64	60086485	48, 76
60074328	18	60087966	76
60074437	18	60091957	18, 60, 76, 80
60074631	86	60092349	18, 60, 96
60074962	22, 64, 82, 86	60092918	46
60074992	46	60093481	20, 62
60075026	74		
60075218	18		
60075311	56		
60075335	46		
60075338	56		
60075339	56		
60075461	56		
60075490	86		
60075524	32		
60075530	32		
60075737	46		
60075974	56		
60076010	38, 68		
60076043	64		
60076156	106		
60076647	38		
60076648	68		
60077521	26		
60078136	30, 52		
60078137	88, 92		
60078138	88, 92		
60078139	88, 92		
60078150	76		
60078151	20, 62, 76		