

---

# Kjeltec™ 8100/8200 Distillation Unit Spare Parts Manual

6006 3339 / Rev. 5



All information is liable to change without prior notice. For latest information about documentation updates for your specific instrument, please contact your local FOSS representative.

<b>Rev.</b>	<b>Date of Issue</b>	<b>Revised Material</b>
1	2008-12-10	First issue.
2	2009-05-15	Spare parts updated.
3	2011-04-29	Spare parts updated.
4	2014-04-01	New P/N of Spare Parts Manual.
5	2017-03-08	Spare parts updated.

## Table of Contents

<b>1</b>	<b>General.....</b>	<b>1</b>
<b>2</b>	<b>Distillation Module 8100/8200 .....</b>	<b>2</b>
<b>3</b>	<b>Distillation Module 8100 .....</b>	<b>8</b>
<b>4</b>	<b>Distillation Module 8200 .....</b>	<b>10</b>
<b>5</b>	<b>Bulkhead .....</b>	<b>12</b>
<b>6</b>	<b>Splash Head Holder .....</b>	<b>14</b>
<b>7</b>	<b>Tube Control Unit.....</b>	<b>16</b>
<b>8</b>	<b>Steam Generator.....</b>	<b>18</b>
<b>9</b>	<b>Condenser .....</b>	<b>20</b>
<b>10</b>	<b>Steam Valve.....</b>	<b>22</b>
<b>11</b>	<b>Front Cover Assembly.....</b>	<b>24</b>
<b>12</b>	<b>Tubings.....</b>	<b>28</b>
<b>13</b>	<b>Special Tools.....</b>	<b>30</b>
<b>14</b>	<b>Index .....</b>	<b>31</b>



# 1 General

This document contains Spare Parts for Kjeltec™ 8100/8200 Distillation Unit.



## **Warning**

***Please read Safety Precautions in the Service Manual prior to maintenance or exchange of spare parts.***

***The system may only be repaired by FOSS personnel or by other personnel approved by FOSS.***

## **2 Distillation Module 8100/8200**

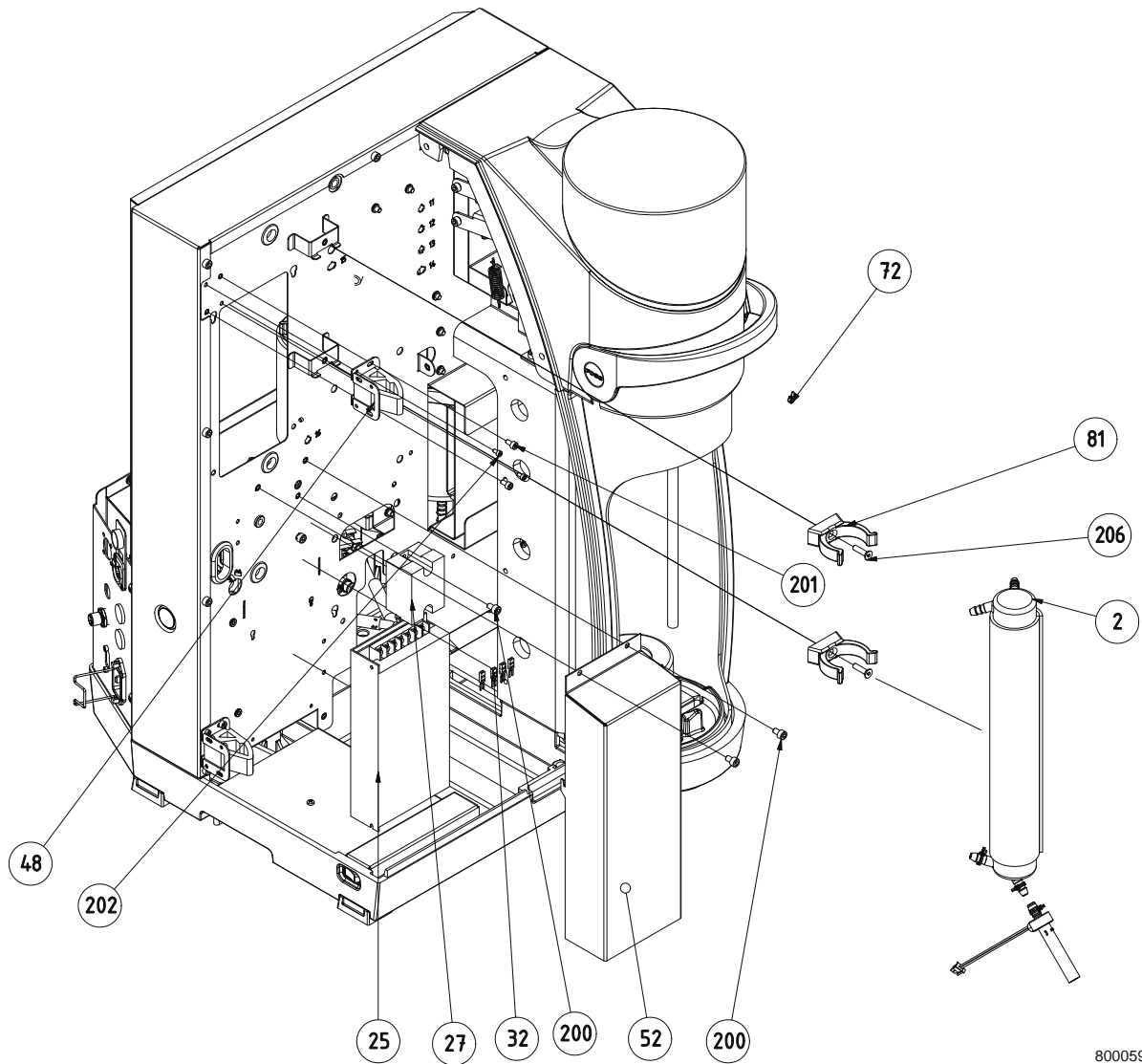
**Drawing No.: 10014906****Page: 1**

<b>Pos.</b>	<b>Part No.</b>	<b>Description</b>	<b>Note</b>
2	60028287	Condensor Cpl	
25	60031630	Power Supply	
27	60074491	Solid State Relay	From S/N 91789675 (Kjeltec 8100), 91789727 (Kjeltec 8200)
200	15320022	Allen Screw M5 x 8	
201	55320017	Allen screw M4 x 8	

**Service Kit: 60028295 Cable Kit 230V Wiring**

<b>Pos.</b>	<b>Description</b>	<b>Note</b>
31	Cable Mains Power	
32	Cable Mains Voltage	

**Service Kit: 00800019 Cable Kit DC Wiring**



8000591a

*Fig. 1*

**Drawing No.: 10014906****Page: 2**

<b>Pos.</b>	<b>Part No.</b>	<b>Description</b>	<b>Note</b>
4	60028288	Steam valve	
5	60031628	Pinch valve	
9	60031629	Steam Generator	See Fig. 9
38	00101160	Dilution water/steam generator water pump	
42	60028292	Tube Drain Vessel	
200	15320022	Allen Screw M5 x 8	
202	55320024	Allen Screw M3 x 6	
	60024004	Cable trunk distilling module	Not illustrated
	00100618	Service Kit: Replace KNF Pump	

**Service Kit: 100618 Replace KNF Water Pump      See TN1586**

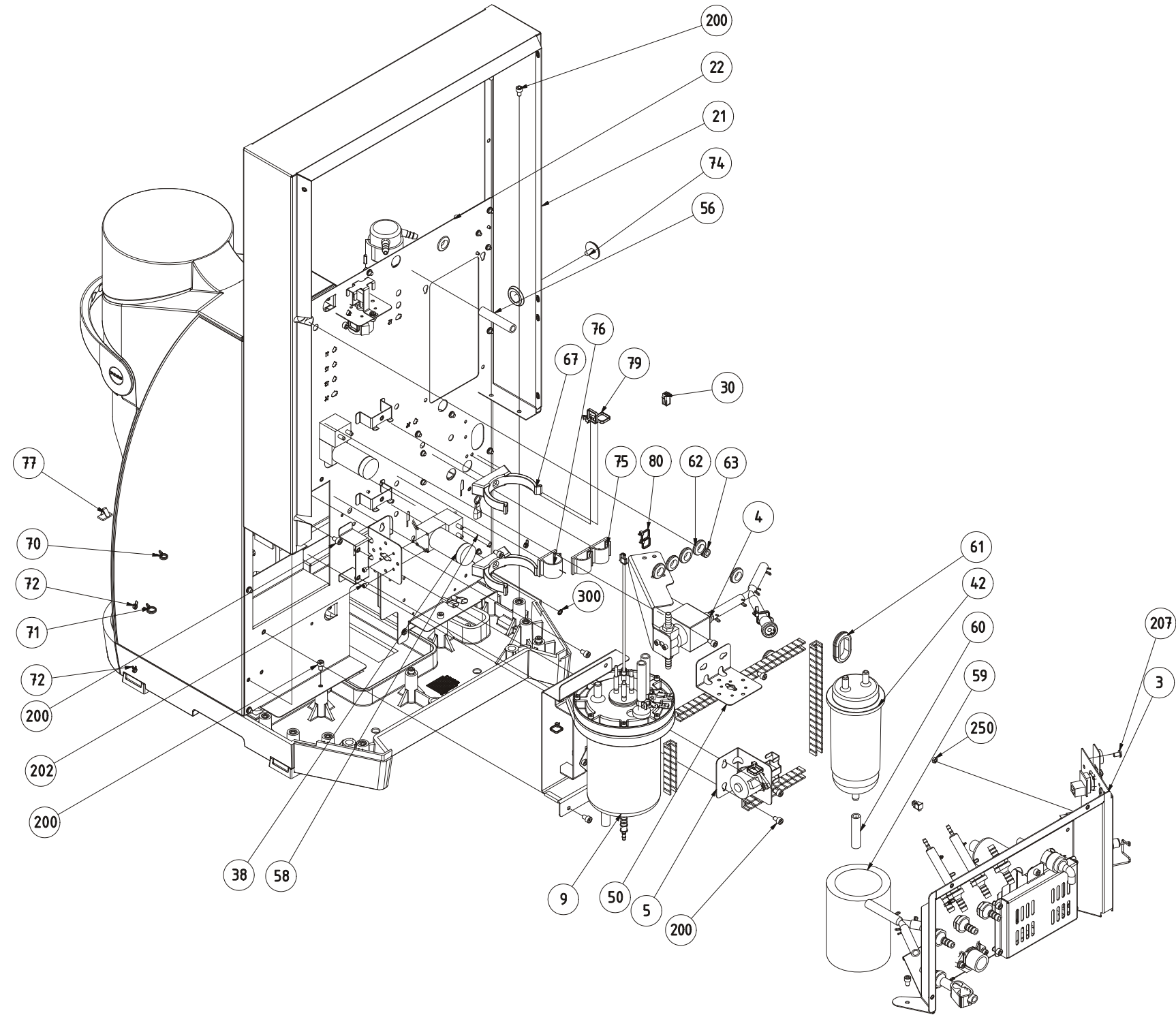


Fig. 2

8000592a

**Drawing No.: 10014906****Page: 3**

<b>Pos.</b>	<b>Part No.</b>	<b>Description</b>	<b>Note</b>
6	60028296	Splash Head	
24	60023791	Power Switch	
43	10015153	Tube Adapter	Combi adapter for 250/100 ml tubes
	10000056	Adapter for dig. tubes 250 ml	
	10000487	Adapter for dig. tubes 100 ml	
44	10015130	Splash Head Top Cover	
45	60078399	Safety door 8200/8400	
	60078398	Safety door 8100	
46	60022390	Tube support	
53	60024200	Handle	
68	15810081	Reduction coupling	
251	60070796	Alkali pump	
251	60070790	Alkali pump with bracket	

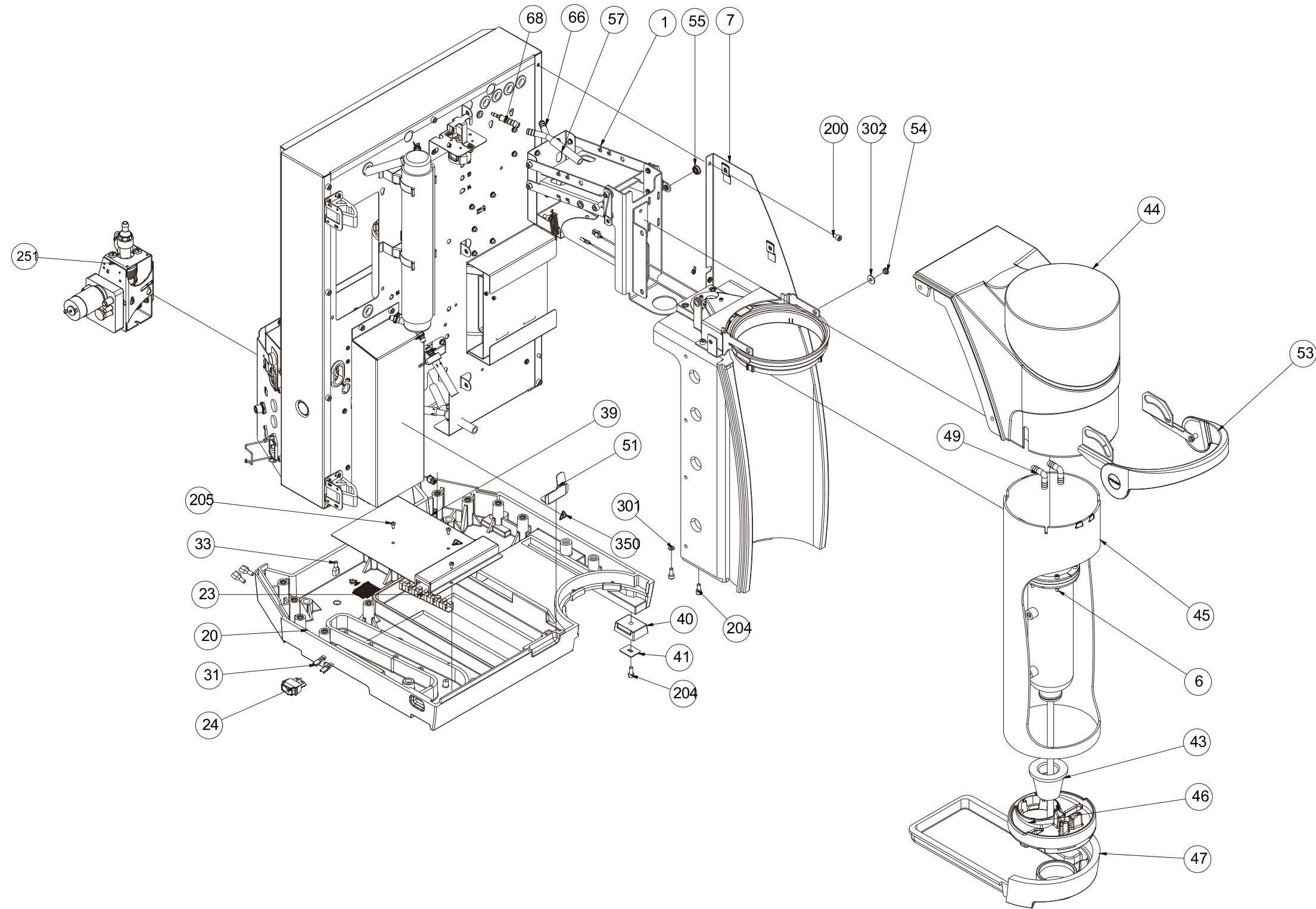


Fig. 3

8000590b

### **3 Distillation Module 8100**

***Drawing No.: 10014906***

<b>Pos.</b>	<b>Part No.</b>	<b>Description</b>	<b>Note</b>
21	60032001	Holder E-Flask Cpl	
22	10000286	Handle	
24	60030311	Glass Tube	
31	60058309	Non Return Valve	
35	15810007	Y-Connector	
37	15810081	Reduction Coupling	
38	15470092	Knob	

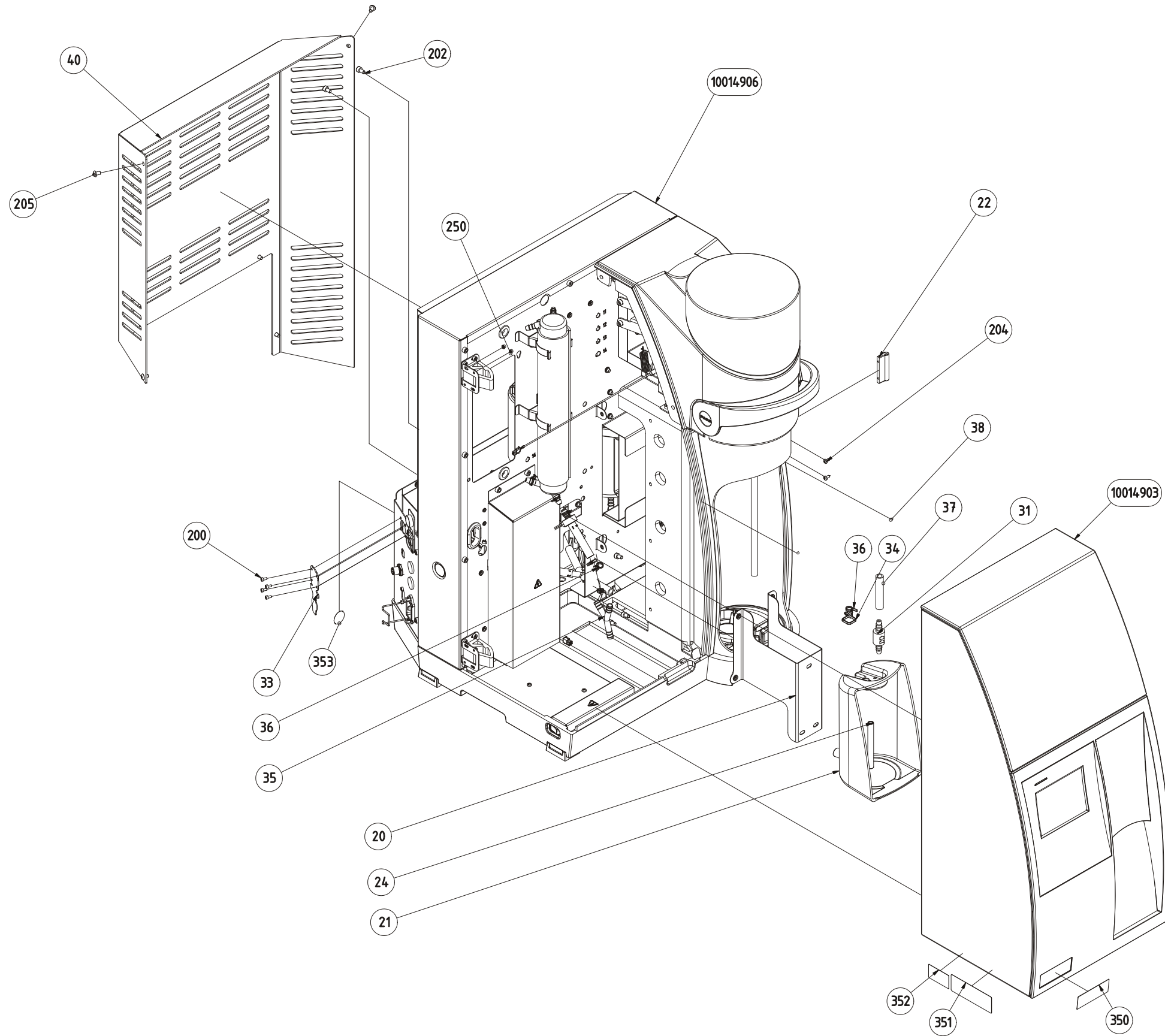


Fig. 4

8000593a

## 4 Distillation Module 8200

*Drawing No.: 10014908*

<b>Pos.</b>	<b>Part No.</b>	<b>Description</b>	<b>Note</b>
21	60032001	Holder E-Flask Cpl	
22	60030311	Glass Tube	
24	60024271	Cable Connector Panel	
30	15810081	Reduction Coupling	
31	60058309	Non Return Valve	
32	60030787	Cable Distiller Light	
37	15810007	Y-Connector	

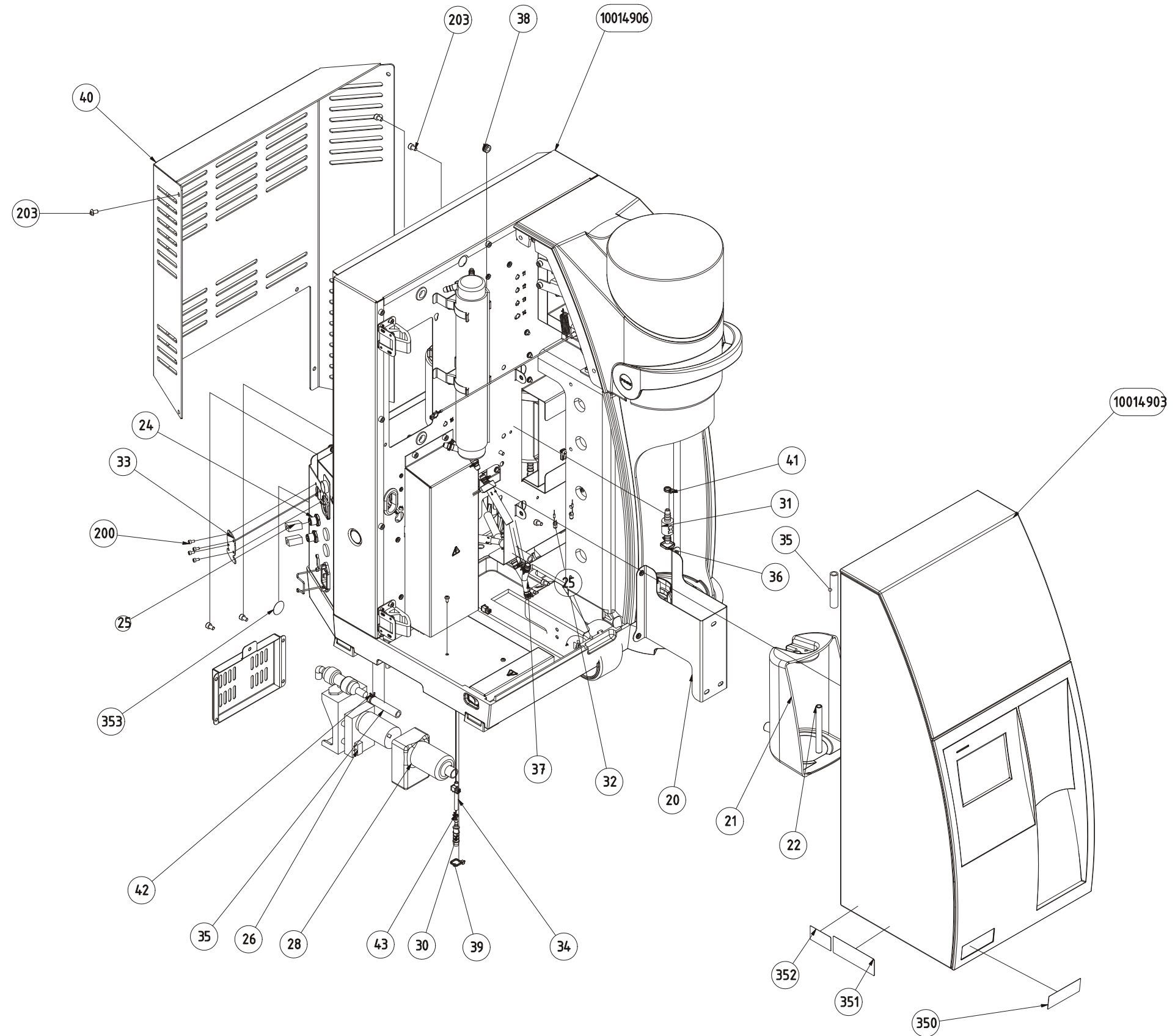


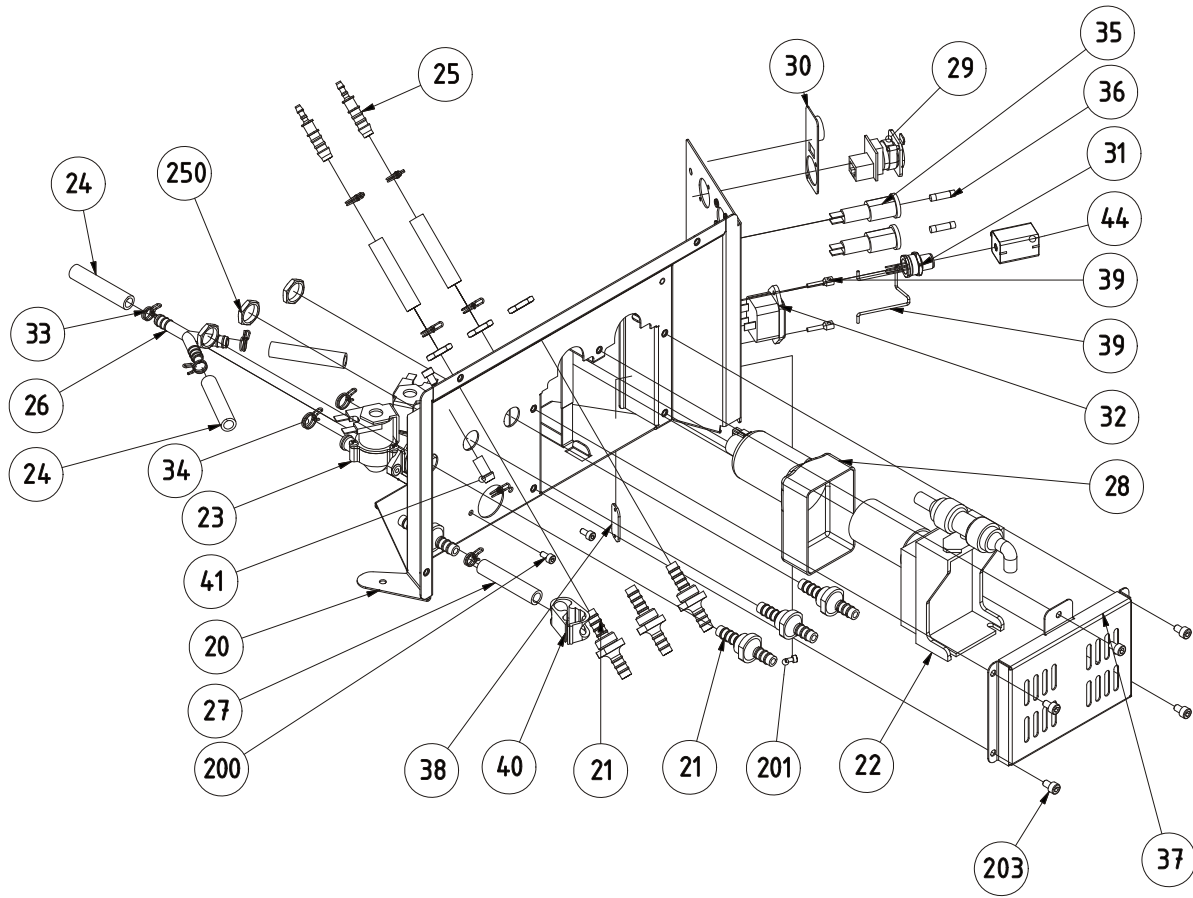
Fig. 5

8000594a

## 5 Bulkhead

**Drawing No.: 10014896**

<b>Pos.</b>	<b>Part No.</b>	<b>Description</b>	<b>Note</b>
21	10001012	Double Hose Connection	
22	60031626	Bellow Pump	only 8200
23	60022685	Water Valve	
25	15810081	Reduction Coupling	
26	15810007	Y-Connector	
28	60024556	Motor Cap	only 8200
29	60024619	RJ45 Connector	
31	60024271	Cable & Connector kit	
32	60024967	Power Inlet	
35	15640091	Fuse Holder	
36	15640178	Fuse 12 A	
39	60029971	Retainer clip	
	60028293	Tube Coupling Set	Not illustrated
	60027130	Cable to Reagent Tank	Not illustrated
	10000019	Cable Between Tanks	Not illustrated
	10000020	Terminator	Not illustrated



8000595a

Fig. 6

## **6    Splash Head Holder**

***Drawing No.: 10014817***

<b>Pos.</b>	<b>Part No.</b>	<b>Description</b>	<b>Note</b>
24	60023709	Spring	
35	60037432	Tube in place pcb.	

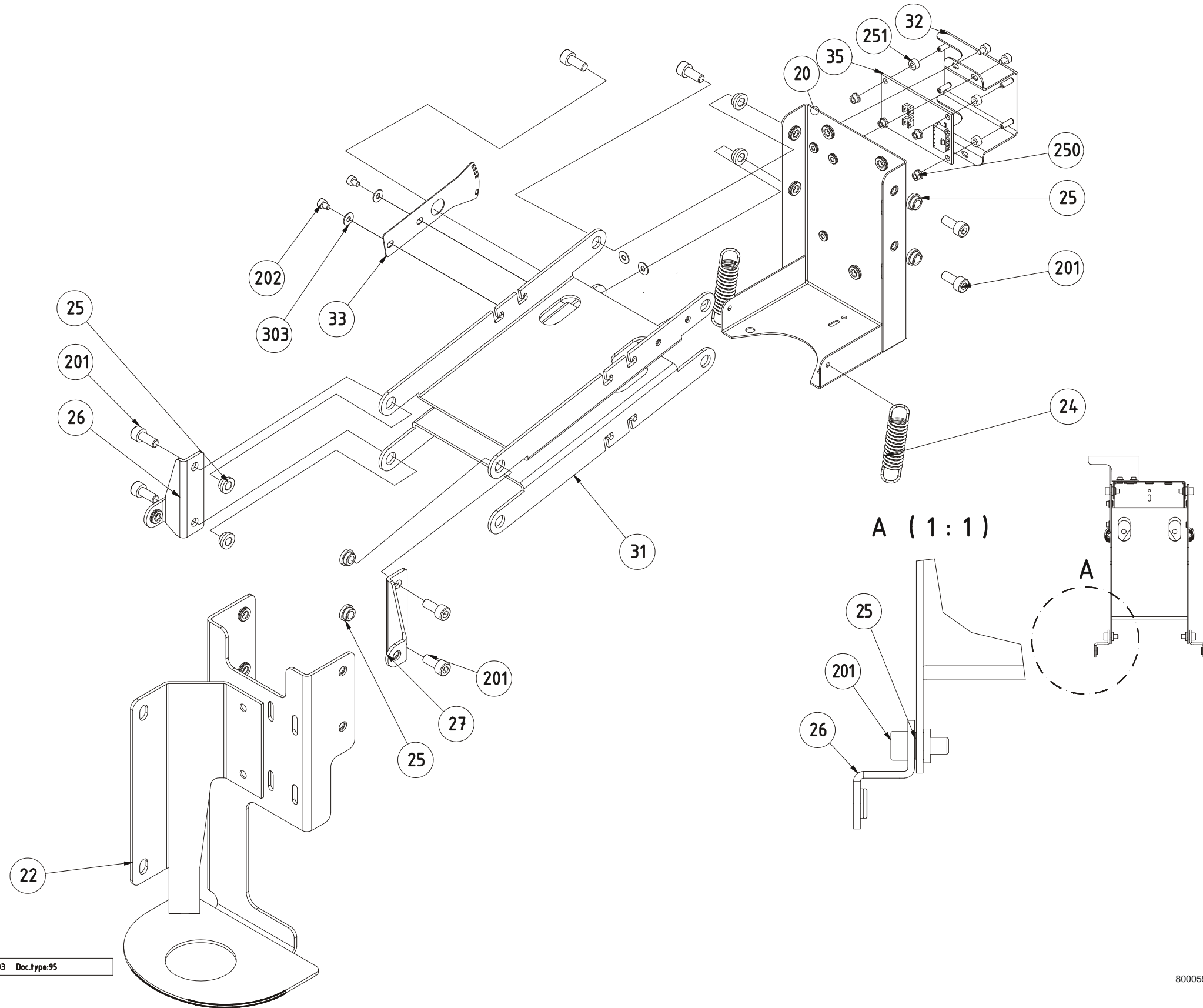
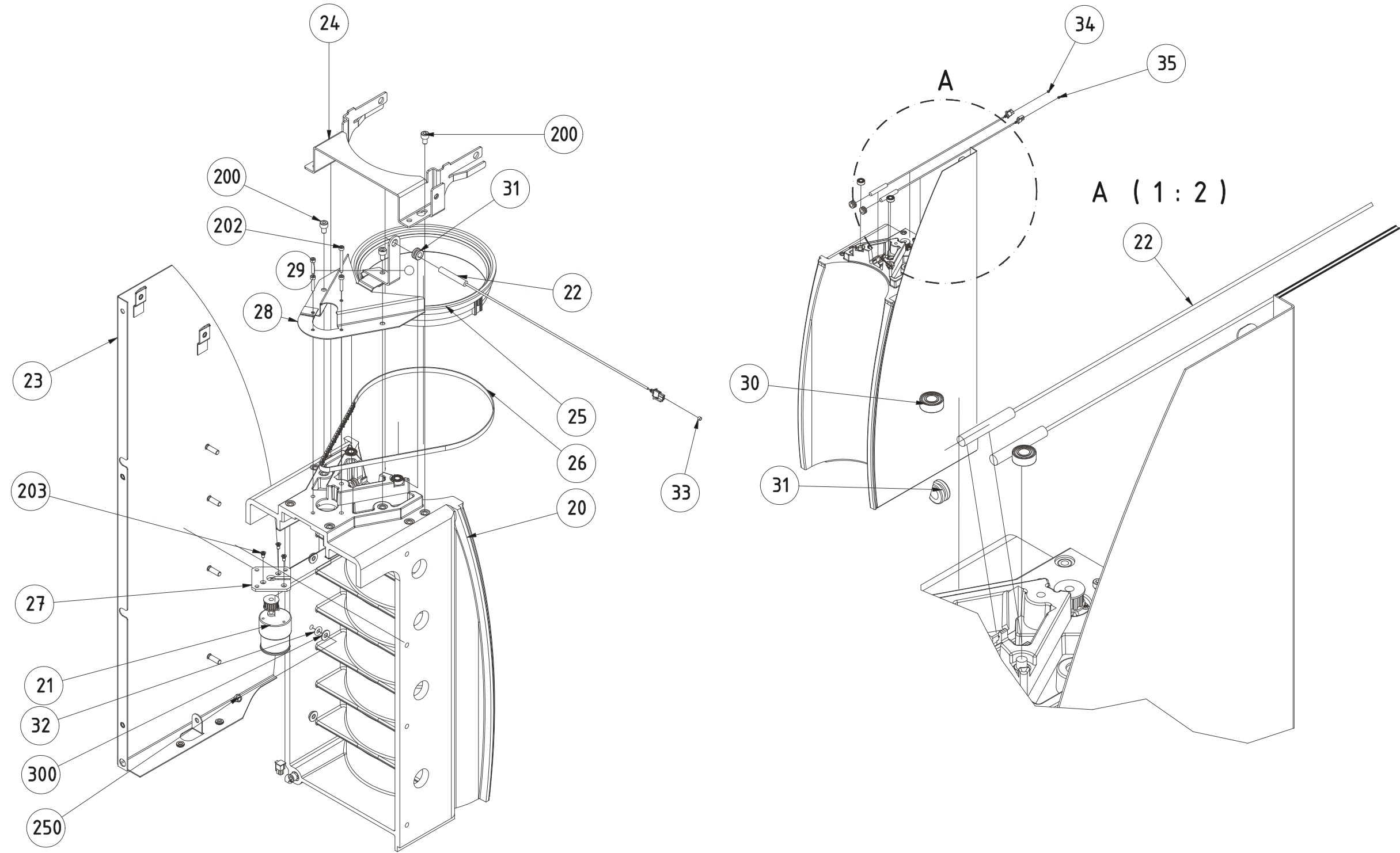


Fig. 7

## **7 Tube Control Unit**

**Drawing No.: 60023413**

<b>Pos.</b>	<b>Part No.</b>	<b>Description</b>	<b>Note</b>
21	60028291	Safety Door Motor	
22	60031627	Reed Switch	
25	60045850	Gear Ring 8200/8400	
25	60030871	Gear Ring 8100	
26	60023697	Belt	
30	55450020	Bearing	



8000597a

Fig. 8

## 8 Steam Generator

### *Drawing No.: 60030606*

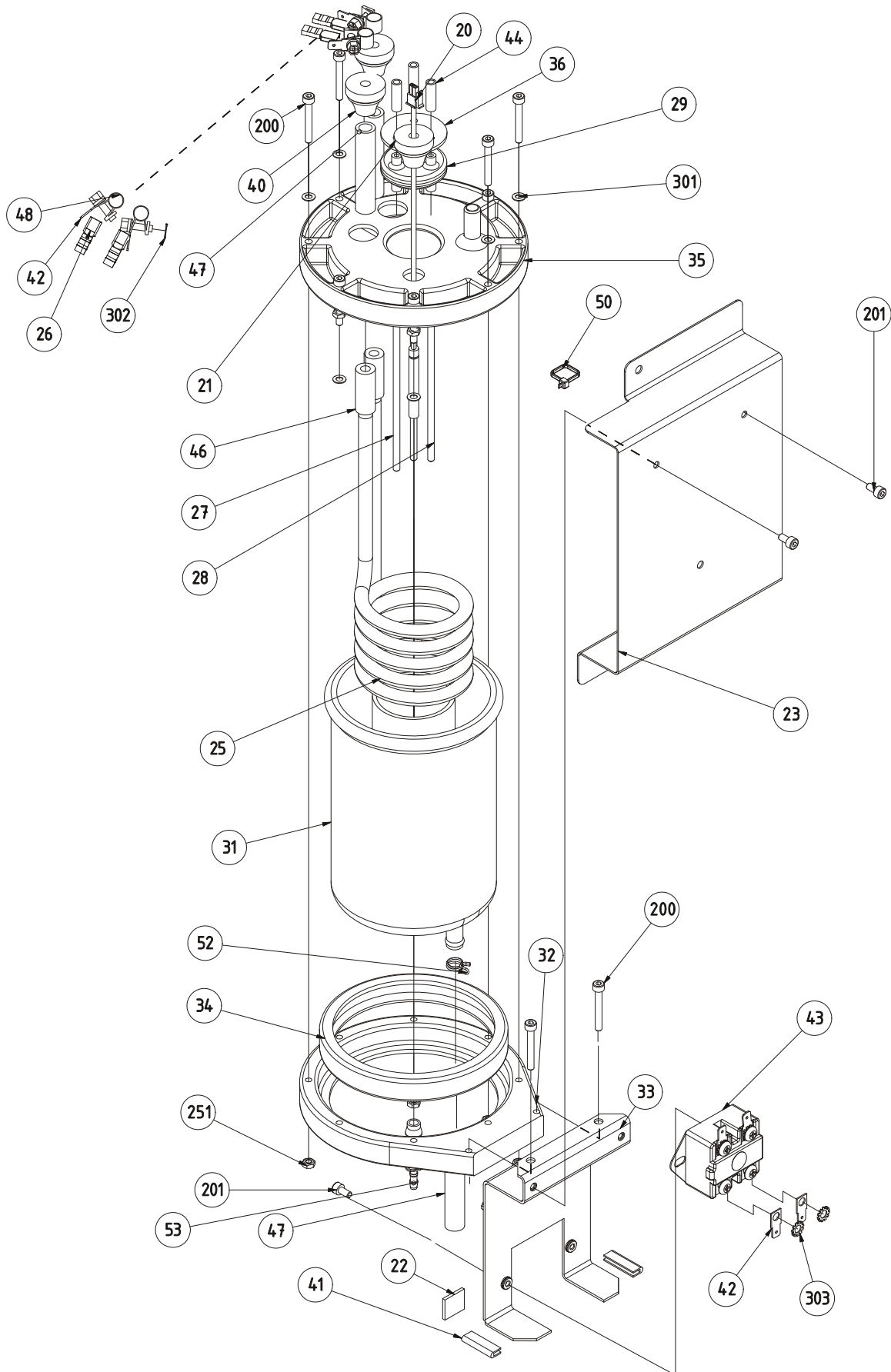
Pos.	Part No.	Description	Note
20	60023706	Temperature Sensor	
21	60042570	Rubber Grommet	
25	10003513	Heating element 2200W 230V	
26	60031737	Cable Steam Generator	
27	10001786	Level Pin	
28	10006155	Reference Pin Partial Isolated	
29	10002761	Rubber Seal	
31	10002720	Glass Vessel	
34	10002762	Seal for Cover Steam Generator	
40	15490028	Rubber Grommet for Heater Coil	
53	15810081	Reduction Coupling	

### *Service Kit: 60031636 Current Overheat*

Pos.	Description	Note
22	Thermal Pad	
43	Overheat protector	

### *Service Kit: 60031635 Lid Cpl*

Pos.	Description	Note
35	Plastic Cover	
40	Rubber Grommet for Heater Coil 2 Pcs	
29	Rubber Seal	
21	Rubber Grommet	



8000598a

Fig. 9

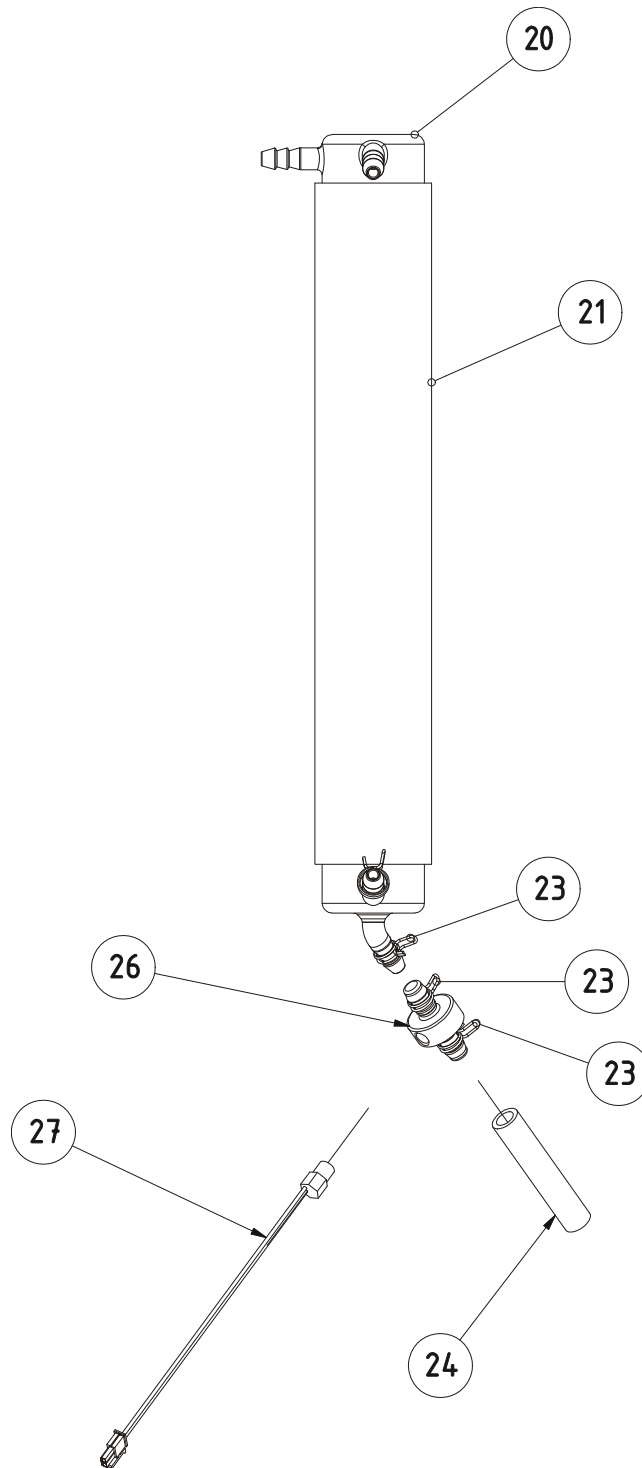
## **9 Condenser**

### ***Drawing No.: 10014895***

<b>Pos.</b>	<b>Part No.</b>	<b>Description</b>	<b>Note</b>
26	10015147	Holder Temp Sensor	
27	15250073	Temperature Sensor	

### ***Service Kit: 60028287 Condensor Cpl***

<b>Pos.</b>	<b>Description</b>	<b>Note</b>
20	Condensor	
21	Insulation Condensor	



8000599a

*Fig. 10*

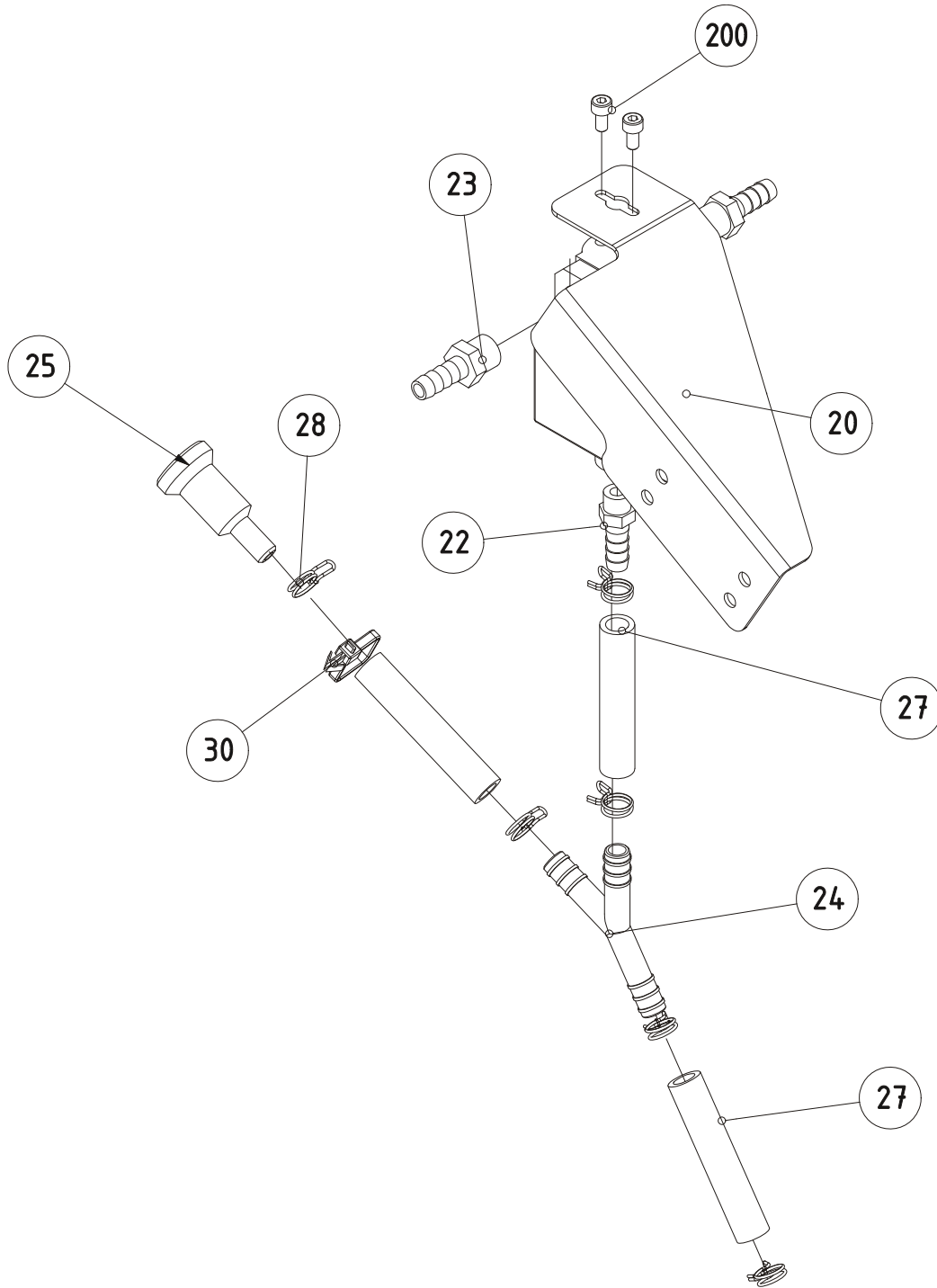
## 10 Steam Valve

**Drawing No.: 10014897**

<b>Pos.</b>	<b>Part No.</b>	<b>Description</b>	<b>Note</b>
22	15810073	Hose Connection	
23	15860011	Hose Connection	
24	15810007	Y-Connector	
25	10003538	Non return Valve	

**Service Kit: 60028288 Steam Valve**

<b>Pos.</b>	<b>Description</b>	<b>Note</b>
20	Solenoid Valve	
22	Hose Connection	
23	Hose Connection	
24	Hose Connection	
25	Non Return Valve	
27	EPDM tubing 8/12	
28	Tube Clamp	
30	Cable Tie	
200	Screw	



8000600a

*Fig. 11*

# 11 Front Cover Assembly

**Drawing No.: 10014904****Page: 1**

<b>Pos.</b>	<b>Part No.</b>	<b>Description</b>	<b>Note</b>
20	60028281	User Interface Board	
21	60047060	Main Board, Distiller	
22	60047692	RACM Cpl.	For KT8200
	60034954	RACM Cpl.	For KT8100
23	60028282	Keypad Assy Distiller	
29	60026924	Display	

**Service kit: 60062789 User Interface Basic Module**

<b>Pos.</b>	<b>Description</b>	<b>Note</b>
20	User Interface Board	
21	Main Board Distillation unit	
22	RACM Cpl.	
23	Keypad Assy Distiller	
24	Cable	
25	Cable	
26	Cable	
27	Cable	
28	Cable	
29	Display	
30	Basic UI Cpl.	
31	Door Part Cpl.	
33	Grounding Plate Distiller	
34	Grounding Plate GUI	
35	Magnet	
36	Ferritblock	
37	Adhesive Holder	
38	Plastic Strap	
200	Screw M3 x 4	
201	Screw M3 x 6	
202	Screw M5 x 8	
203	Spacer	
204	Spacer	
205	Spacer	
206	Screw M3 x 12	
251	Nut M5	
300	Washer	
302	Washer	
304	Washer	

This page is intentionally left blank.



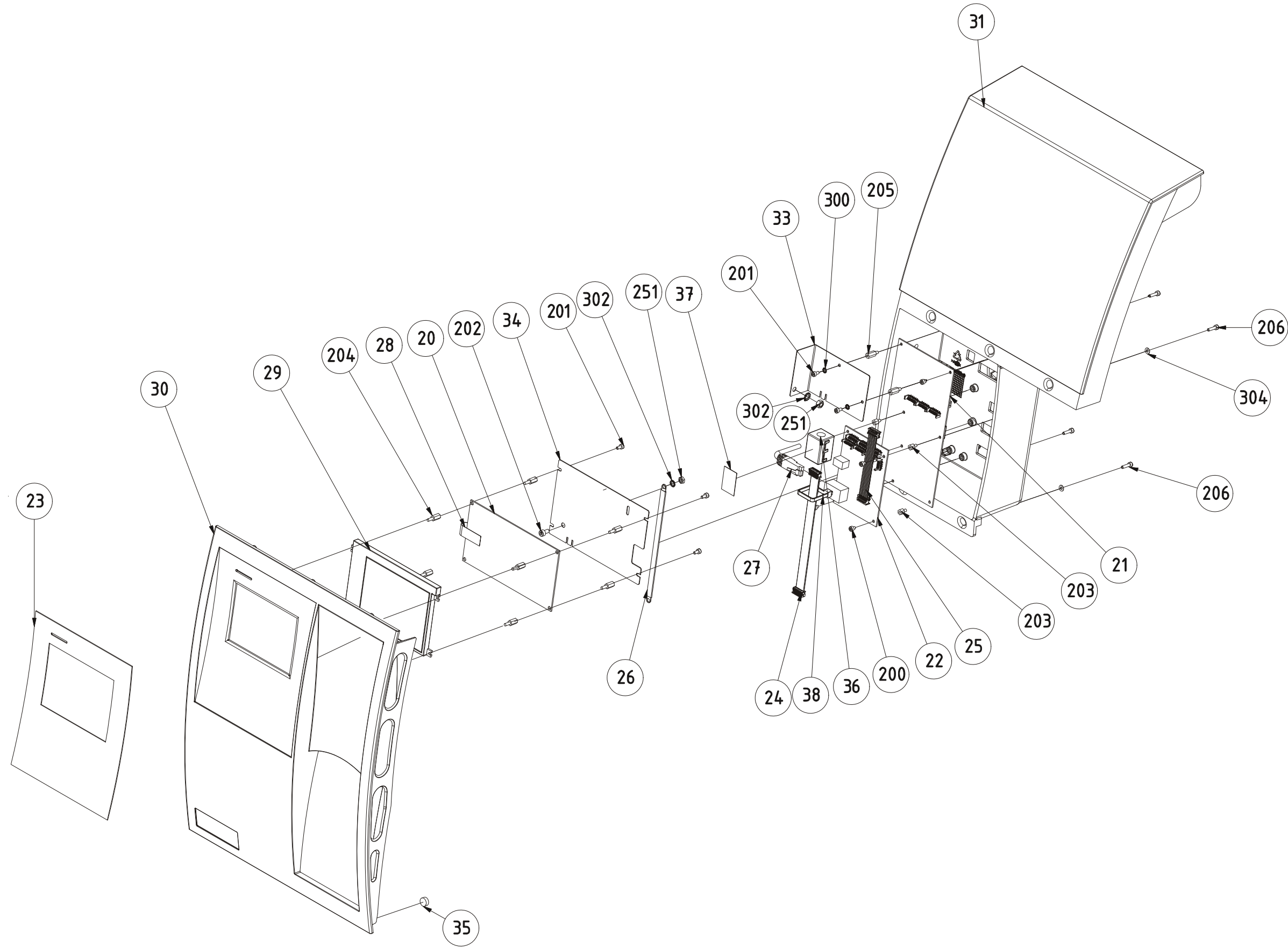


Fig. 12

8000601a

## 12 Tubings

Pos.	Part No.	Description	Note
1	60075057	Norprene Tube A60G 6X12 mm	420 mm
2	60030385	Neoprene Tube A-60-G 8X12,8	60 mm
3	60030385	Neoprene Tube A-60-G 8X12,8	580 mm
4	00100156	Tubing Reinforced	1150 mm
5	15820204	Tubing EPDM D 6/12 mm	1150 mm
6	00500062	Tubing EPDM 8X12 mm	720 mm
7	00500062	Tubing EPDM 8X12 mm	40 mm
8	00500062	Tubing EPDM 8X12 mm	60 mm
9	00500062	Tubing EPDM 8X12 mm	40 mm
10	15820204	Tubing EPDM D 6/12 mm	100 mm
11	60030385	Neoprene Tube A-60-G 8X12,8	140 mm
12	15820006	Silicone Tubing 12X8 Thickness 2 mm	150 mm
13	15820006	Silicone Tubing 12X8 Thickness 2 mm	520 mm
14	15820006	Silicone Tubing 12X8 Thickness 2 mm	360 mm
15	15820006	Silicone Tubing 12X8 Thickness 2 mm	35 mm
16	15820006	Silicone Tubing 12X8 Thickness 2 mm	290 mm
17	15820006	Silicone Tubing 12X8 Thickness 2 mm	75 mm
18	15820006	Silicone Tubing 12X8 Thickness 2 mm	170 mm
19	15820006	Silicone Tubing 12X8 Thickness 2 mm	220 mm
20	00500158	Silicone hose 7*10, transparent	400 mm
21	00500158	Silicone hose 7*10, transparent	750 mm
22	00500158	Silicone hose 7*10, transparent	75 mm
23	00500158	Silicone hose 7*10, transparent	260 mm
24	15820204	Tubing EPDM D 6/12 mm	50 mm
25	60023704	Hose Silicone 4*6 transparent	600 mm
26	60030385	Neoprene Tube A-60-G 8X12,8	250 mm
27	00500158	Silicone hose 7*10, transparent	660 mm
28	00500158	Silicone hose 7*10, transparent	35 mm

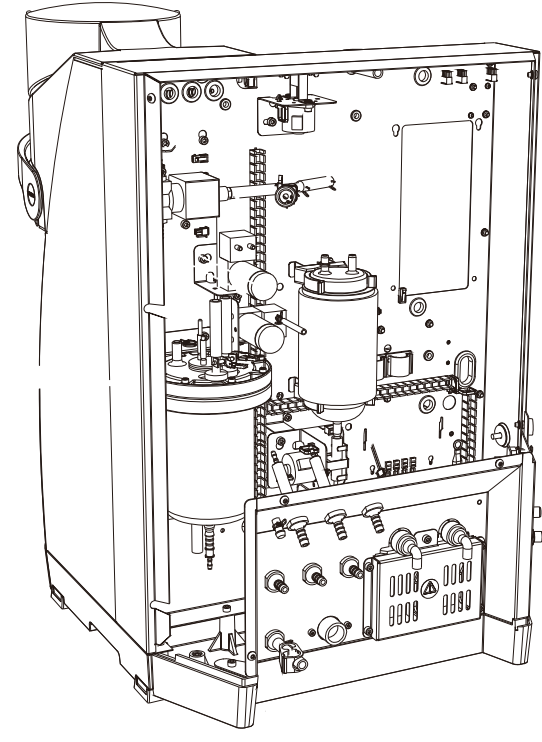
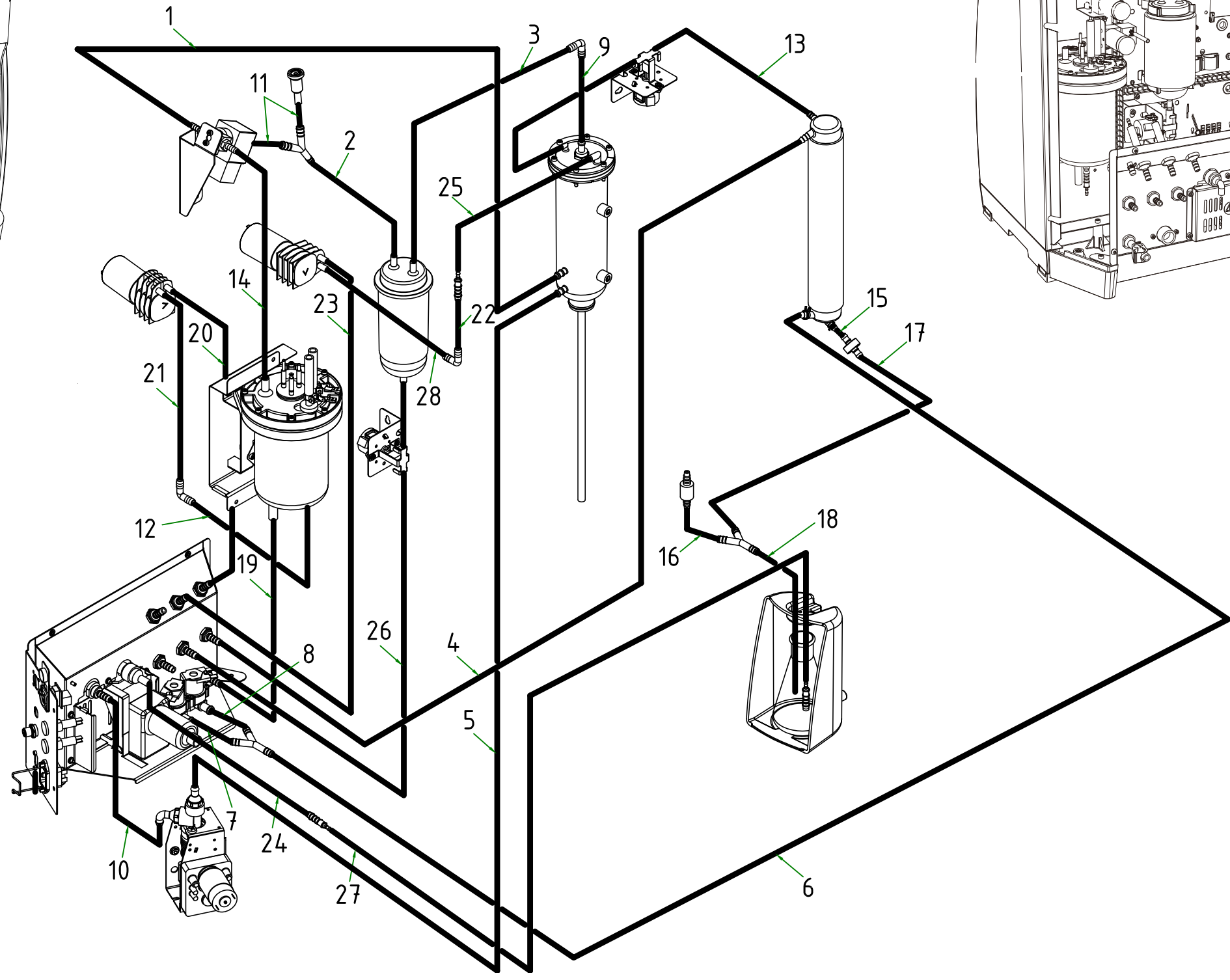
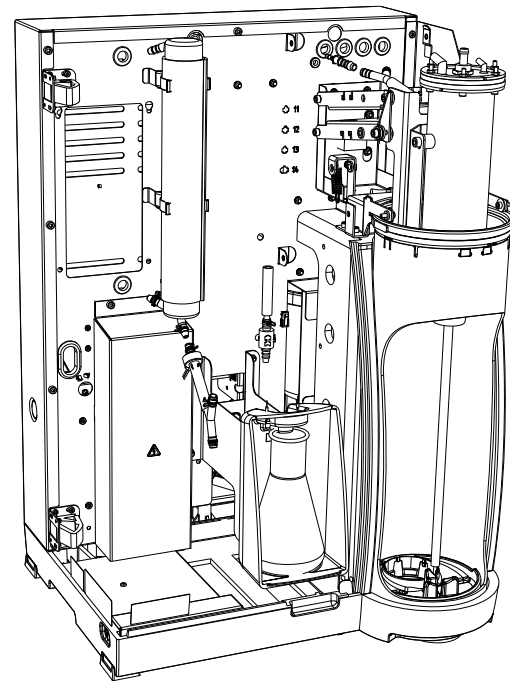


Fig. 13

8000633b

**13 Special Tools**

<b>Pos.</b>	<b>Part No.</b>	<b>Description</b>	<b>Note</b>
	60029503	Tool for Molex plug removal	

**14 Index**

<b>Part No.</b>	<b>Page</b>		
		60026924	24
00100156	28	60027130	12
00100618	4	60028281	24
00101160	4	60028282	24
00500062	28	60028287	2, 20
00500158	28	60028288	4, 22
00800019	2	60028291	16
10000019	12	60028292	4
10000020	12	60028293	12
10000056	6	60028295	2
10000286	8	60028296	6
10000487	6	60029503	30
10001012	12	60029971	12
10001786	18	60030311	8, 10
10002720	18	60030385	28
10002761	18	60030787	10
10002762	18	60030871	16
10003513	18	60031626	12
10003538	22	60031627	16
10006155	18	60031628	4
10015130	6	60031629	4
10015147	20	60031630	2
10015153	6	60031635	18
100618	4	60031636	18
15250073	20	60031737	18
15320022	2, 4	60032001	8, 10
15470092	8	60034954	24
15490028	18	60037432	14
15640091	12	60042570	18
15640178	12	60045850	16
15810007	8, 10, 12, 22	60047060	24
15810073	22	60047692	24
15810081	6, 8, 10, 12, 18	60058309	8, 10
15820006	28	60062789	24
15820204	28	60070790	6
15860011	22	60070796	6
55320017	2	60074491	2
55320024	4	60075057	28
55450020	16	60078398	6
60022390	6	60078399	6
60022685	12		
60023697	16		
60023706	18		
60023709	14		
60023791	6		
60024004	4		
60024200	6		
60024271	10, 12		
60024556	12		
60024619	12		
60024967	12		

