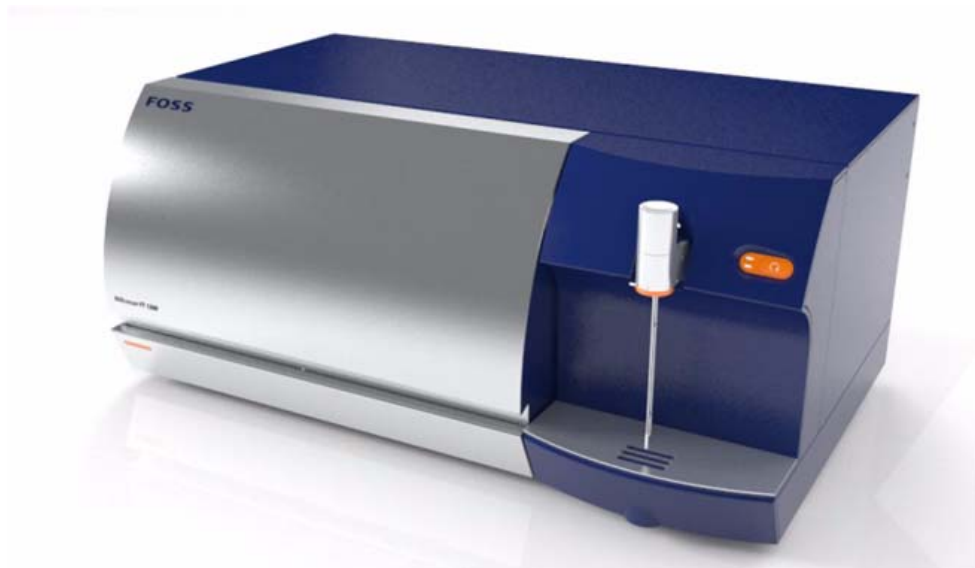


---

# MilkoScan™ FT1 Spare Parts Manual

6004 5490 / Rev. 1



All information is liable to change without prior notice. For latest information about documentation updates for your specific instrument, please contact your local FOSS representative.

<b>Rev.</b>	<b>Date of Issue</b>	<b>Revised Material</b>
1	2011-06-15	First issue.

Please inform Customer Support - Technical Communication Team at the address given below, if you have any opinions about or proposals for changes to this manual.

Customer Support - Technical Communication Team

e-mail [tig@foss.dk](mailto:tig@foss.dk)

FOSS Analytical AB, Box 70, SE-263 21 Höganäs, Sweden

Tel Int +46 42 361500, Fax +46 42 340349

## Table of Contents

<b>1</b>	<b>General</b> .....	<b>1</b>
<b>1.1</b>	<b>Explanation of Definitions</b> .....	<b>1</b>
<b>2</b>	<b>Assembly Identification</b> .....	<b>2</b>
<b>3</b>	<b>Pipette Unit</b> .....	<b>4</b>
<b>4</b>	<b>Tube Pump</b> .....	<b>6</b>
<b>5</b>	<b>Heat Exchanger</b> .....	<b>8</b>
<b>6</b>	<b>Pipette Unit Clean/Zero</b> .....	<b>10</b>
<b>7</b>	<b>Pipette Clean/Zero</b> .....	<b>12</b>
<b>8</b>	<b>Valve Unit</b> .....	<b>14</b>
<b>9</b>	<b>Homogeniser</b> .....	<b>16</b>
<b>10</b>	<b>H-Pump</b> .....	<b>18</b>
<b>11</b>	<b>One Way Valve</b> .....	<b>20</b>
<b>12</b>	<b>Detector Unit</b> .....	<b>22</b>
<b>13</b>	<b>Flow Control Unit</b> .....	<b>24</b>
<b>14</b>	<b>Source Unit</b> .....	<b>26</b>
<b>15</b>	<b>Vibration Damper</b> .....	<b>28</b>
<b>16</b>	<b>Interferometer Unit</b> .....	<b>30</b>
<b>17</b>	<b>Interferometer Unit</b> .....	<b>32</b>
<b>18</b>	<b>Electronics Rack</b> .....	<b>34</b>
<b>19</b>	<b>Power Supply</b> .....	<b>36</b>
<b>20</b>	<b>Power Supply, El. Connection</b> .....	<b>38</b>
<b>21</b>	<b>Fan Unit</b> .....	<b>40</b>
<b>22</b>	<b>Base Unit</b> .....	<b>42</b>

<b>23</b>	<b>Left Door Unit</b> .....	<b>44</b>
<b>24</b>	<b>Right Door Unit</b> .....	<b>46</b>
<b>25</b>	<b>Cabinet Unit</b> .....	<b>48</b>
<b>26</b>	<b>Basic Unit</b> .....	<b>50</b>
<b>27</b>	<b>Basic Unit</b> .....	<b>52</b>
<b>28</b>	<b>Basic Unit</b> .....	<b>54</b>
<b>29</b>	<b>Basic Unit, Tubing</b> .....	<b>56</b>
<b>30</b>	<b>Basic Unit, El. Connection</b> .....	<b>58</b>
<b>31</b>	<b>Accessories</b> .....	<b>60</b>
<b>32</b>	<b>Waste Unit</b> .....	<b>60</b>
<b>33</b>	<b>Index</b> .....	<b>63</b>

# 1 General

This document contains Spare Parts for MilkoScan™ FT1.



## **Warning**

***Please read Safety Precautions in the Service Manual prior to maintenance or exchange of spare parts.***

***The system may only be repaired by FOSS personnel or by other personnel approved by FOSS.***

## 1.1 Explanation of Definitions

Explanation of definitions used in this manual:

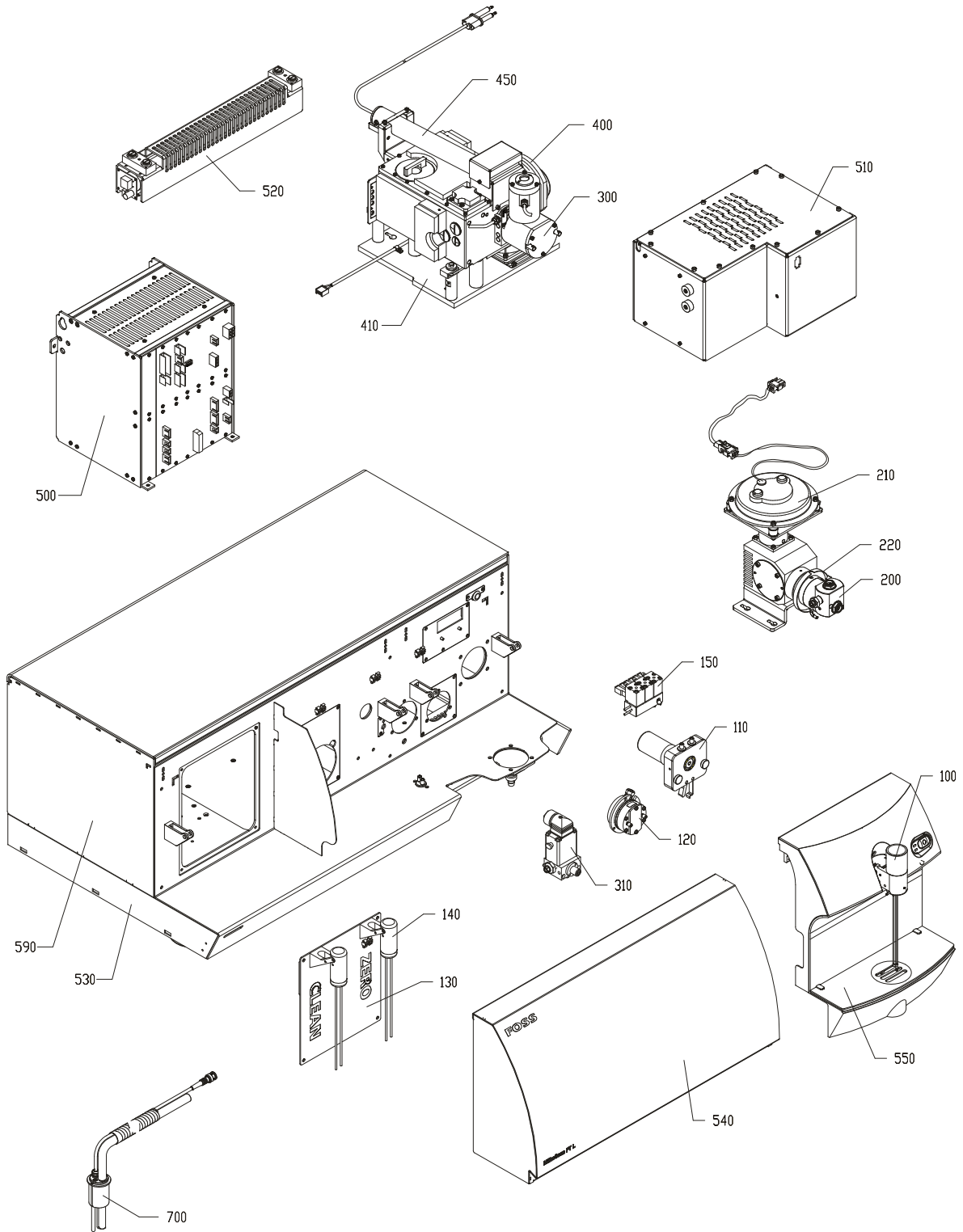
- Drawing No.                      FOSS drawing number.
- Page                                Drawing page in FOSS database.
- Part No.                          Spare part number for ordering.
- Prod. No.                         FOSS production number.

### **Note:**

When ordering new spare parts, please use the Part No. stated in this manual for the parts in question.

## **2 Assembly Identification**

<b>Pos.</b>	<b>Description</b>
100-1	Pipette Unit
110-1	Tube Pump
120-1	Heat Exchanger
130-1	Pipette Unit Clean/Zero
140-1	Pipette Clean/Zero
150-1	Valve Unit
200-1	Homogenizer
210-1	H-Pump
220-1	One way Valve
300-1	Detector Unit
310-1	Flow Control Unit
400-1	Source Unit
410-1	Vibration Damper
450-1	Interferometer Unit
450-2	Interferometer Unit
500-1	Electronics Unit
510-1	Power Unit
510-2	Power Unit, El. Connection
520-1	Fan Unit
530-1	Base Unit
540-1	Left Door Unit
550-1	Right Door Unit
590-1	Cabinet Unit
600-1	Basic Unit
600-2	Basic Unit
600-3	Basic Unit
600-4	Basic Unit, Tubing
600-5	Basic Unit, El. Connection
650-1	Accessories
700-1	Waste Unit



60045000\_ID 2.1 Dokument: 60045000\_ID

Fig. 1

### **3 Pipette Unit**

**Drawing No.: 60044985      Page: 100-1**

<b>Pos.</b>	<b>Part No.</b>	<b>Description</b>	<b>Prod. No.</b>
1	60044957	Bottom indicater	
2	00591396	Pipette Led PCB	
4	60046483	Pipette tube assembly	
5	00539056	Filter	
6	60046688	Sensor Pin	
8	60044989	Pipette Motor Assembly	
10	00054437	O-ring	
14	00499715	Ball bearing	
300	00227348	Allen screw M3x6	
301	00705046	Screw	
302	00189449	Allen screw	
303	00117572	Allen screw	
350	00007823	Nut m6	
351	00306993	Nut	
400	00299313	Washer	
401	00435321	Springwasher	
402	00011775	Washer	



## 4 Tube Pump

**Drawing No.:** 00536755      **Page:** 110-1

<b>Pos.</b>	<b>Part No.</b>	<b>Description</b>	<b>Prod. No.</b>
3	00495705	Roller wheel	
5-4	00495085	Band	
14	00227348	Allen screw M3x6	
18	00495739	Spring	
20	00536771	Tube	
21	00495499	Stub	
22	00538058	Union	
23	00495135	Union	
25	00495093	Lid	
26	00495432	Finger screw	
27	00528364	Lock Washer	
29	01015329	Stub	
30	00219121	Union	
M1	00538629	Motor assembly	

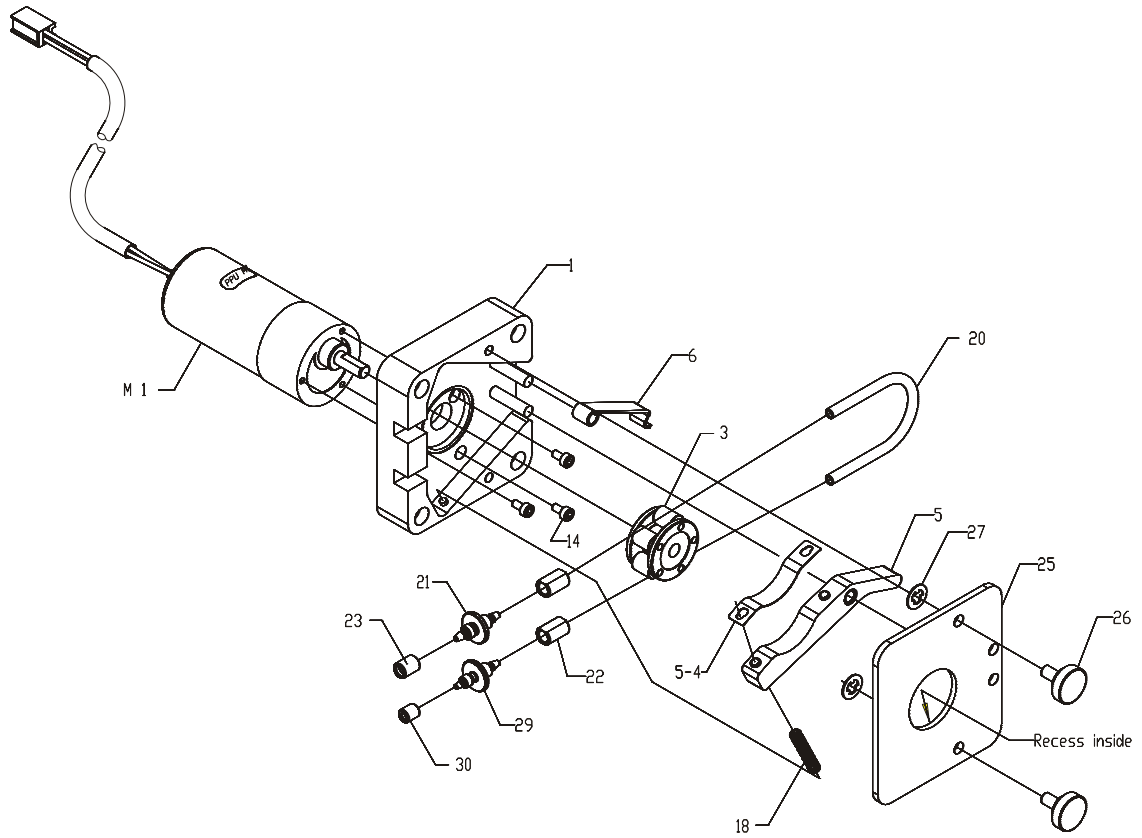
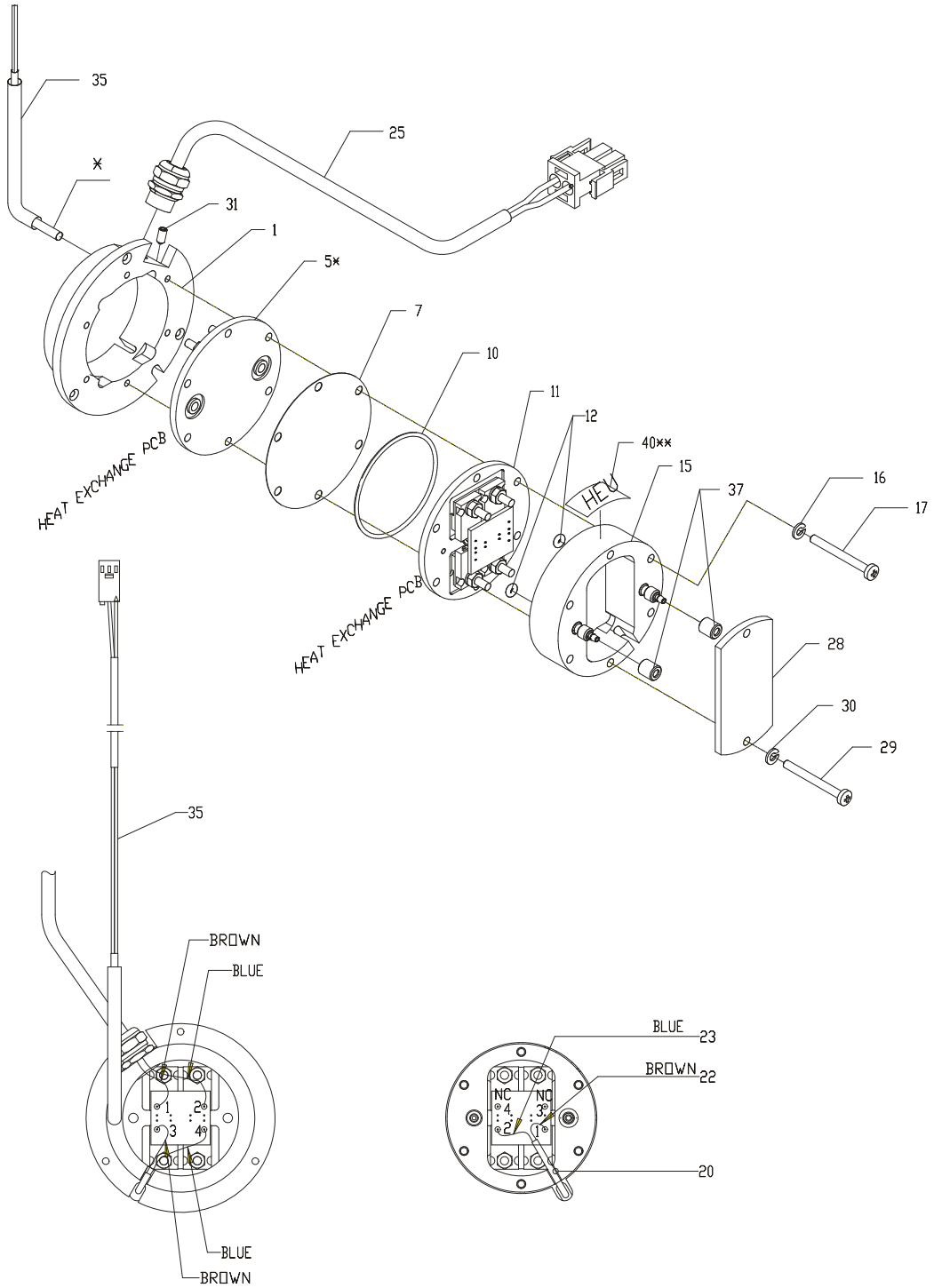


Fig. 3

## 5 Heat Exchanger

**Drawing No.:** 00537324      **Page:** 120-1

<b>Pos.</b>	<b>Part No.</b>	<b>Description</b>	<b>Prod. No.</b>
5	60046150	Heat shield	00537274
7	60000275	Disc	
10	00537266	O-ring	
11	60000299	Heat shield	
12	00078949	O-ring	
16	00299313	Washer	
17	00820290	Screw m3x30	
25	00537290	Cable assembly	
29	00820290	Screw m3x30	
30	00299313	Washer	
31	00140525	Allen screw	
35	00537308	NTC-complete	
37	00219121	Union	



00537324\_IS 8.1 Dokument: 4AS.5.11

\* Lubricate with Compound pos. 6 and 33  
 \*\* Text see no. 52 on labelsheet 537712

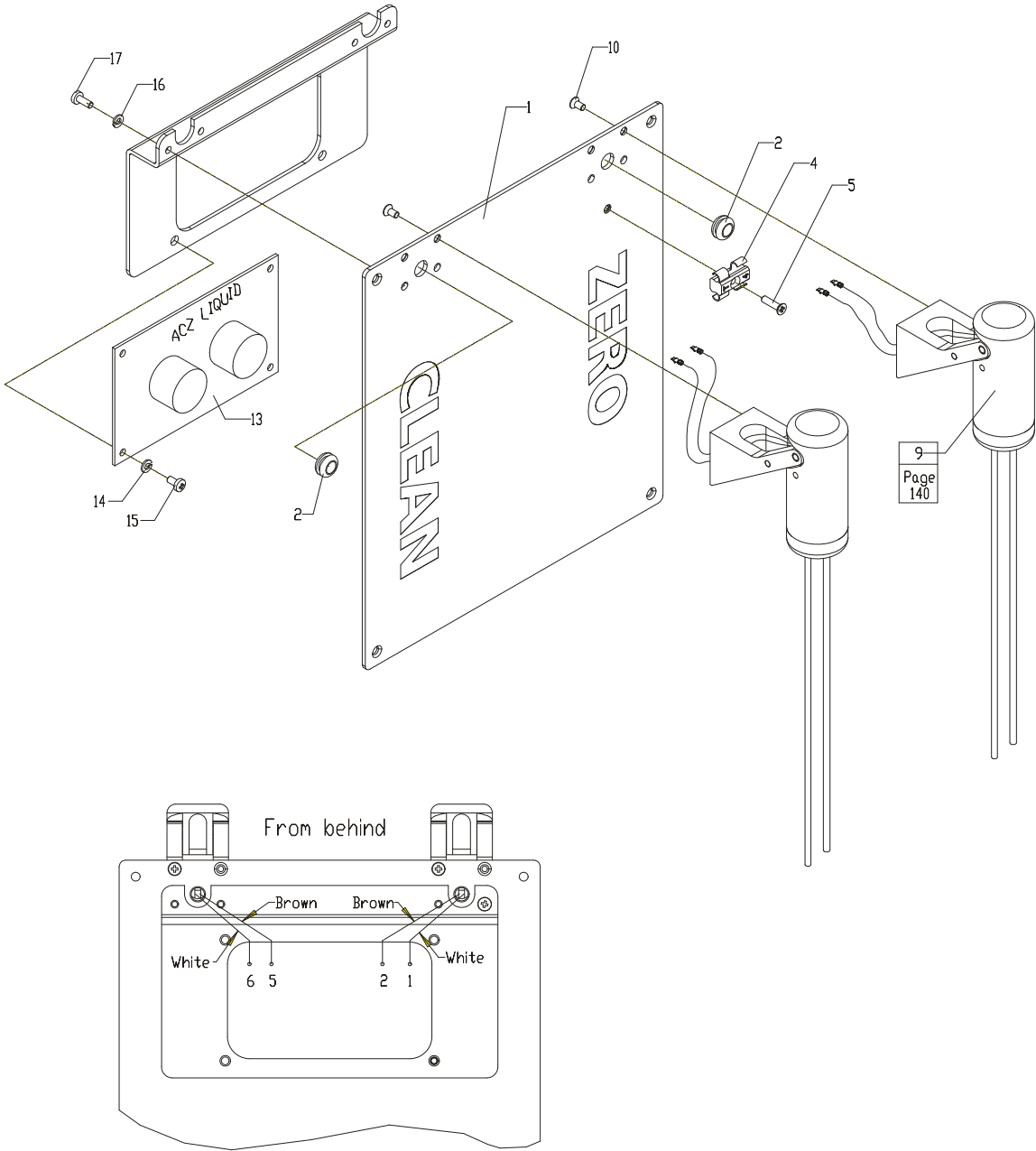
120

Fig. 4

## **6 Pipette Unit Clean/Zero**

**Drawing No.: 60044997****Page: 130-1**

<b>Pos.</b>	<b>Part No.</b>	<b>Description</b>	<b>Prod. No.</b>
2	00325191	Bushing	
4	00539668	Cable Holder	
5	00821306	Screw m3x12	
9	00539833	Pipette	
10	00821272	Screw m3x06	
13	00569632	Print assy Acz liquid -	
14	00299313	Washer	
15	00820209	Screw m3x06	
16	00299313	Washer	
17	00820217	Screw m3x08	



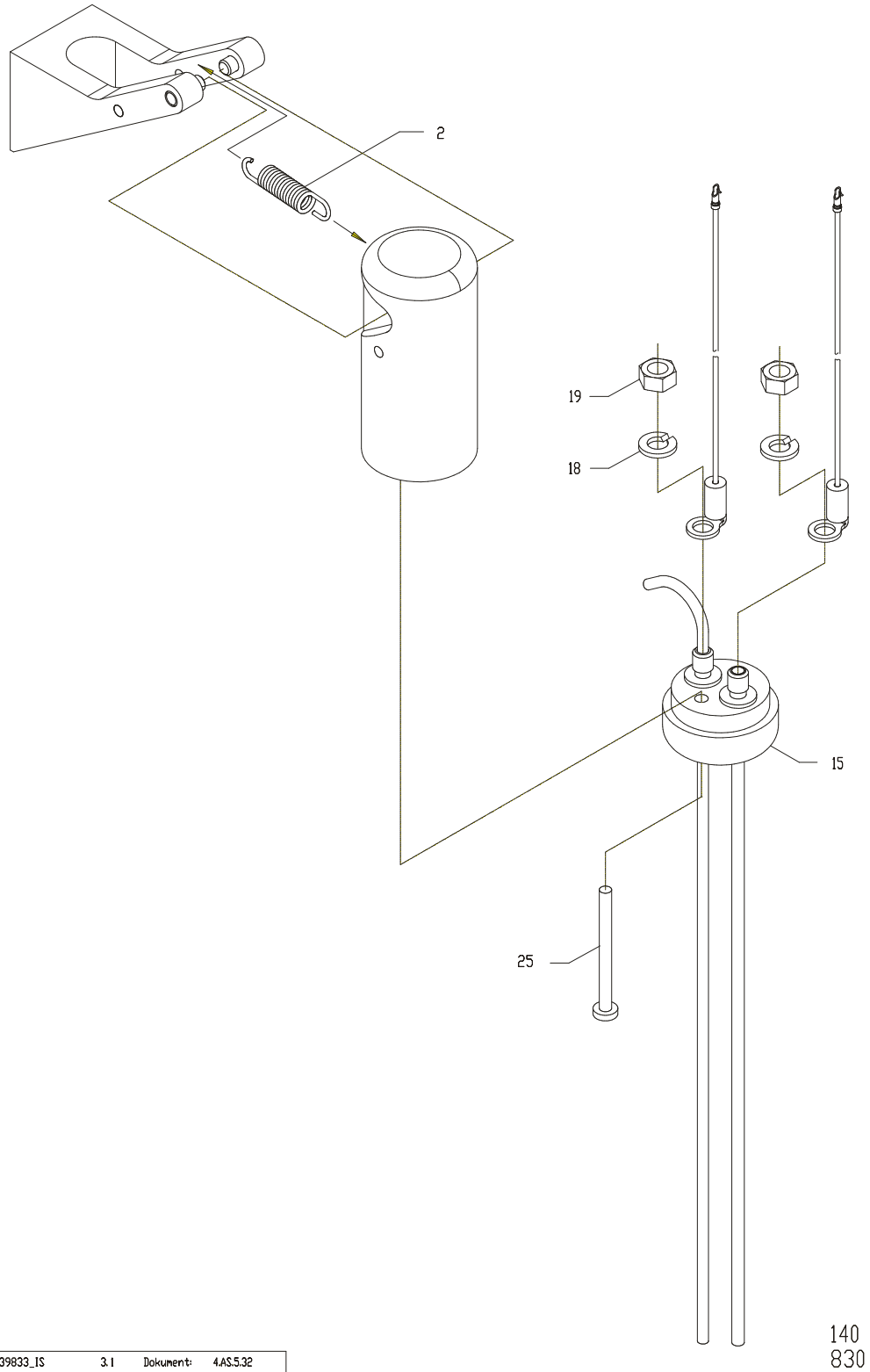
60044997\_95 2.0+ Dokument: 60044997\_95

Fig. 5

## **7 Pipette Clean/Zero**

**Drawing No.: 00539833****Page: 140-1**

<b>Pos.</b>	<b>Part No.</b>	<b>Description</b>	<b>Prod. No.</b>
2	00039388	Spring	
15	00539825	Bottom assembly	
18	00357897	Springwasher	
19	00008839	Nut M 5	
25	00820308	Screw m3x35	



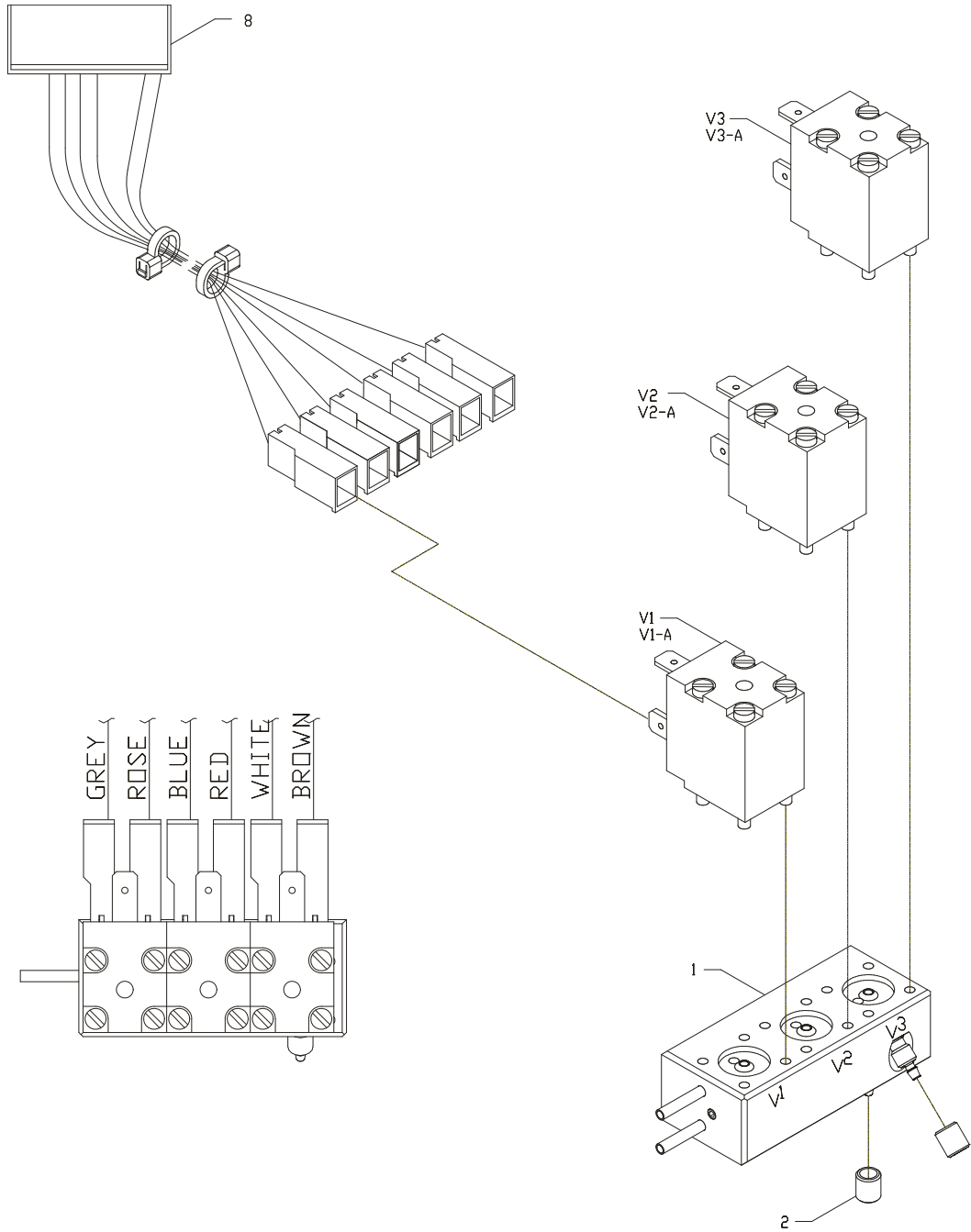
00539833\_IS 3.1 Dokument: 4AS.5.32

Fig. 6

## **8 Valve Unit**

**Drawing No.: 00540252****Page: 150-1**

<b>Pos.</b>	<b>Part No.</b>	<b>Description</b>	<b>Prod. No.</b>
1	00540245	Manifold	
2	00219121	Union	
4	00710624	Allen screw	
5	00109108	Springwasher	
8	00539759	Cable Joint	
V1	00337535	Magnet valve	
V1-A	00461749	Service kit	
V2	00337535	Magnet valve	
V2-A	00461749	Service kit	
V3	00337535	Magnet valve	
V3-A	00461749	Service kit	



00540252\_IS 4.1 Dokument: 4AS.5.31

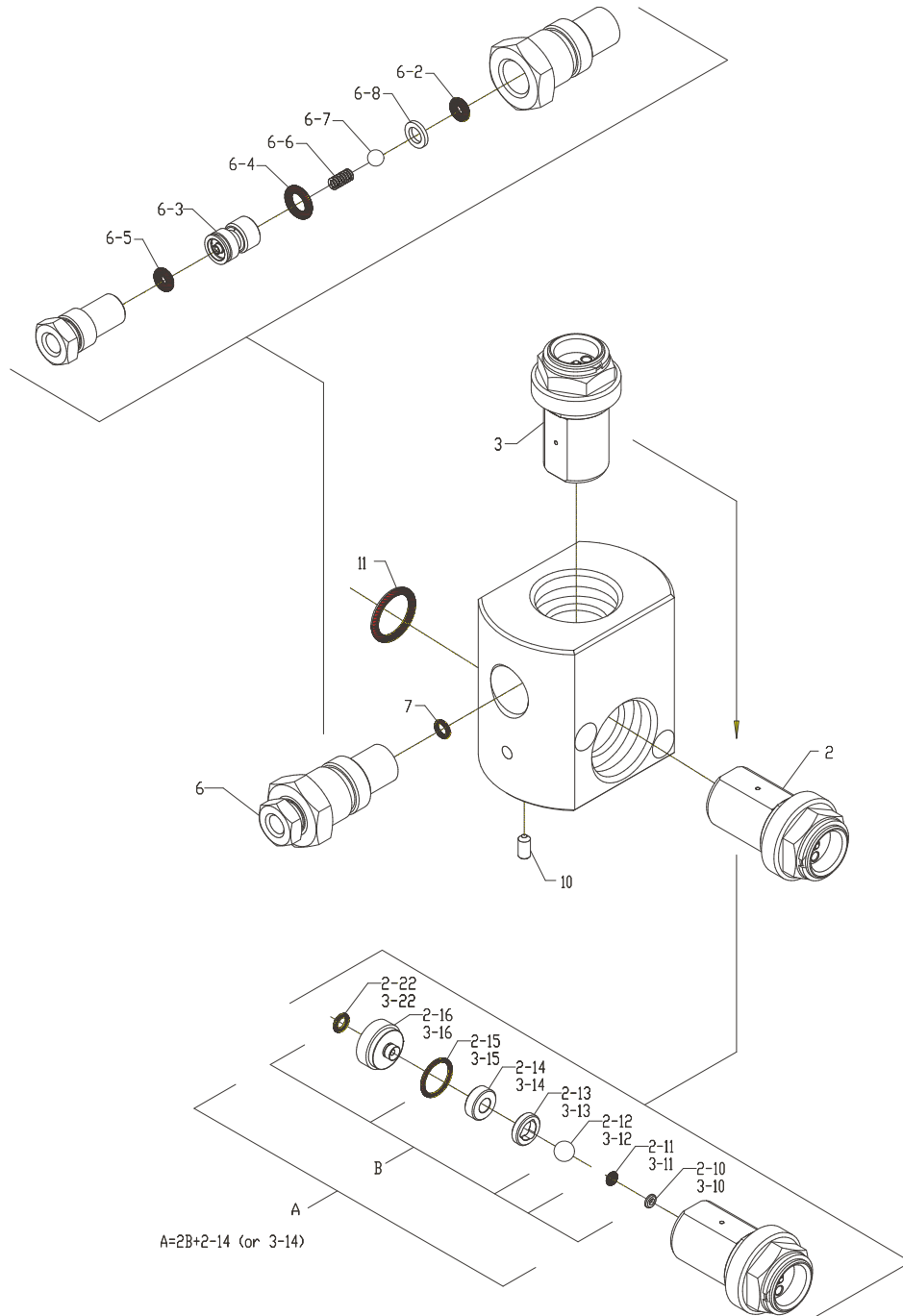
820  
150

Fig. 7

## 9 Homogeniser

**Drawing No.:** 00499202      **Page:** 200-1

<b>Pos.</b>	<b>Part No.</b>	<b>Description</b>	<b>Prod. No.</b>
2	60046193	Plug cpl.	60023664
2-10	00457523	Support ring	
2-11	60015108	O-ring Ø001.50xØ1.00 FPM (Viton) 70 SH	
2-12	60023665	Ball 05.0, SNC-1	
2-13	00399527	Guide	
2-14	60023668	Seat, SNC-1	
2-15	60015104	O-RING 0008.5X1 FPM	
2-16	00503433	Screw	
2-22	60015107	O-ring Ø003.00xØ1.00	
3	60046193	Plug cpl.	60023664
3-10	00457523	Support ring	
3-11	60015108	O-ring Ø001.50xØ1.00 FPM (Viton) 70 SH	
3-12	60023665	Ball 05.0, SNC-1	
3-13	00399527	Guide	
3-14	60023668	Seat, SNC-1	
3-15	60015104	O-RING 0008.5X1 FPM	
3-16	00503433	Screw	
3-22	60015107	O-ring Ø003.00xØ1.00	
6	60046154	Stop Valve	00538280
6-2	00845610	O-ring	
6-3	00496471	Support	
6-4	00539551	O-ring	
6-5	00243667	O-ring	
6-6	00538165	Spring	
6-7	00176750	Ruby ball	
6-8	00845891	Ring	
7	00503615	O-ring	
10	00144592	Allen screw	
11	00248542	O-ring	
A	60026439	Repair kit A for plug SNC-1	
B	60026421	Repair kit B for plug SNC-1	



00499202\_IS 5.0 Dokument: 4.A5.5.12

200

Fig. 8

## 10 H-Pump

**Drawing No.: 00536730****Page: 210-1**

<b>Pos.</b>	<b>Part No.</b>	<b>Description</b>	<b>Prod. No.</b>
1	00844696	Gearhouse cpl.	
2	60046925	Worm Wheel complete	60046924
3	00844761	Spring	
4	00844738	O-ring	
6	00011569	Allen screw	
7	00109108	Springwasher	
9	01015330	Nylon gasket	
15	60046925	Worm complete	60046923
17	00844753	Gasket	
18	00166009	O-ring	
19	00011569	Allen screw	
20	00109108	Springwasher	
21	00482521	Coupling	
22	00841247	Allen screw	
24	00011569	Allen screw	
25	00109108	Springwasher	
26	00331108	O-ring	
31	00841247	Allen screw	
33	00482539	Stay	
34	00109397	Washer	
35	00011569	Allen screw	
41	00202614	Screw	
42	00357897	Springwasher	
50	60026361	Piston Cpl P/D 71210	
50-1	00840454	Guide	
50-2	00844803	Stepseal	
50-4	00820217	Screw m3x08	
50-5	00299313	Washer	
50-10	00054411	O-ring	
50-15	60026363	Piston SNC-1	
50-16	00164772	Retaining ring	
50-18	00846907	Spring	
51	00844837	Allen screw	
70	00536722	Flange	
71	00201145	Allen screw	
75	00496364	Pump head	
76	60026358	VL Seal incl. Viton O-ring	
77	00287904	O-ring	
78	00821744	Allen screw	
80	00538587	Cable assy	
M1	00844787	Motor	

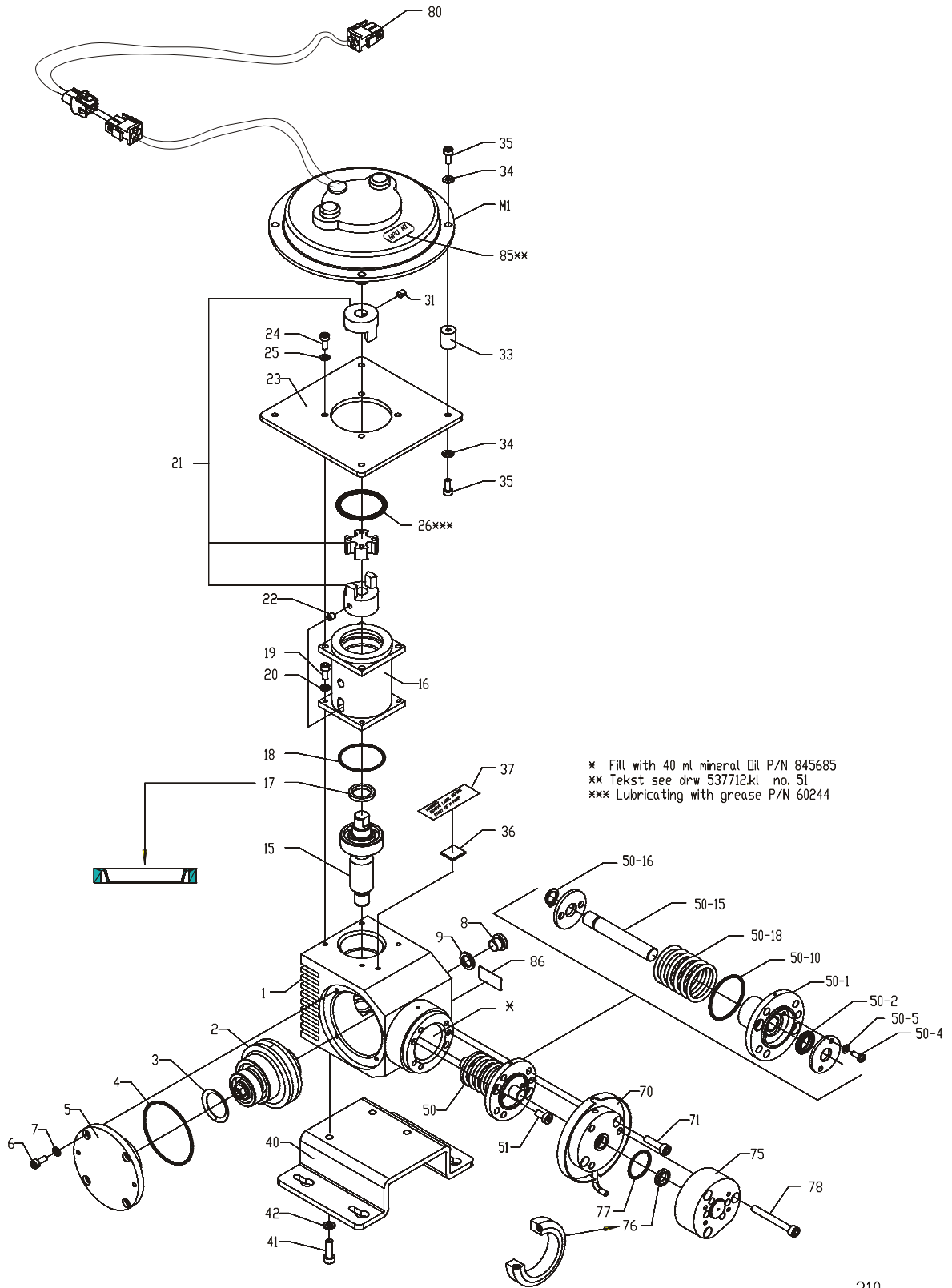
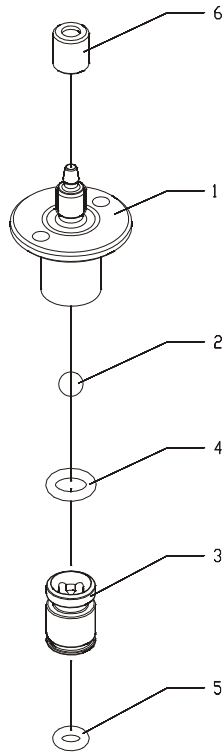


Fig. 9

## **11 One Way Valve**

***Drawing No.: 60002385***      ***Page: 220-1***

<b>Pos.</b>	<b>Part No.</b>	<b>Description</b>	<b>Prod. No.</b>
2	00176750	Ruby ball	
4	00540021	O-ring	
5	00846972	O-ring	
6	00219121	Union	



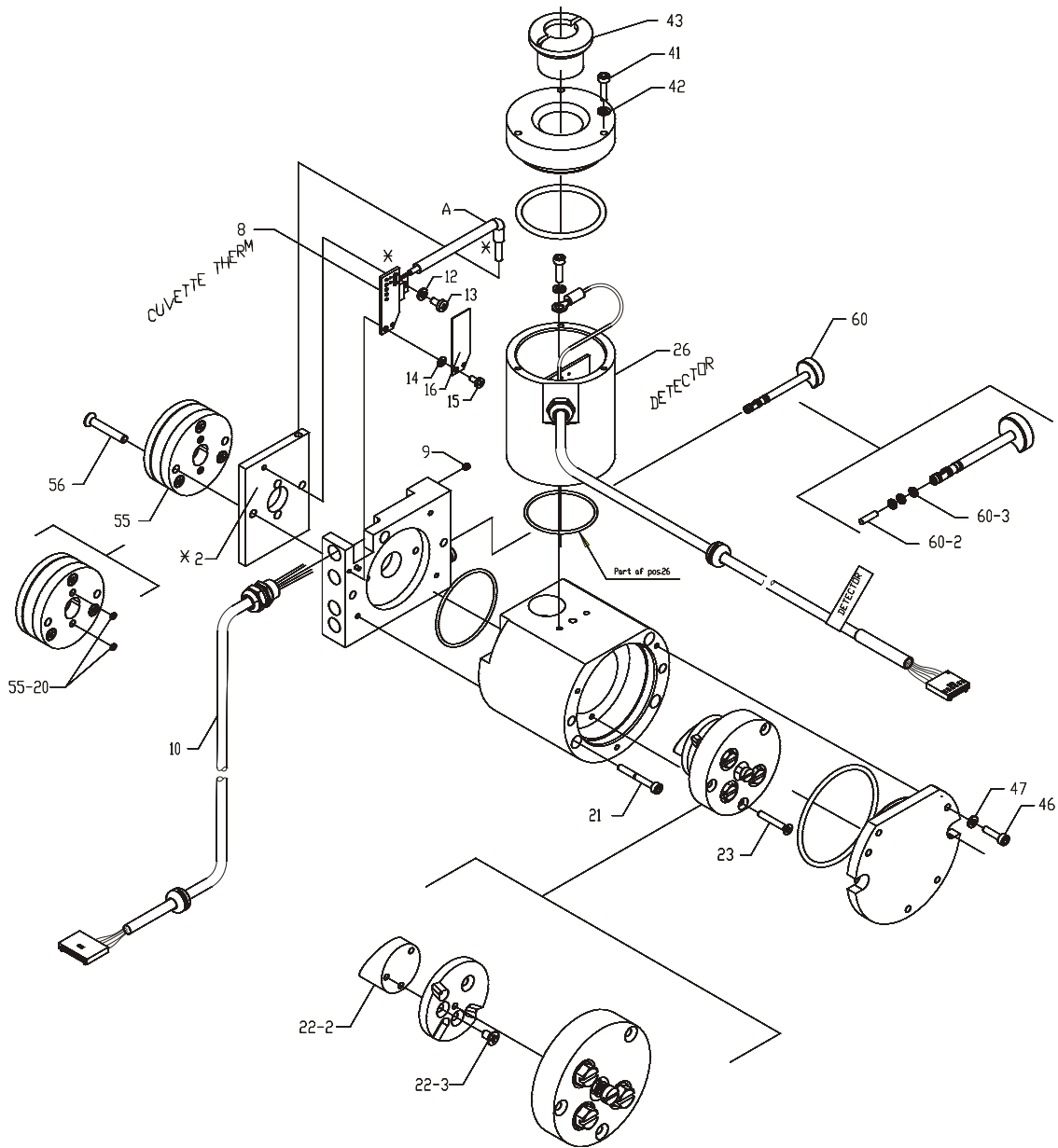
220

*Fig. 10*

## 12 Detector Unit

**Drawing No.:** 01015296      **Page:** 300-1

<b>Pos.</b>	<b>Part No.</b>	<b>Description</b>	<b>Prod. No.</b>
2	00494989	Distributor	
8	00520411	Cuvette thermostat PCB	
9	00140525	Allen screw	
10	00537480	Cable assembly	
12	00299313	Washer	
13	00820209	Screw m3x06	
14	00435321	Springwasher	
15	00820100	Screw m2.5x05	
21	00708826	Allen screw	
22-2	00496372	Mirror	
22-3	00821272	Screw m3x06	
23	00821348	Screw m3x20	
26	01015292	Pre-amplifier w. house	
41	00108480	Allen screw	
42	00299313	Washer	
43	00445890	Cartridge	
46	00219147	Allen screw	
47	00299313	Washer	
55	00540146	Cuvette	
55-20	00368365	O-ring	
56	00821504	Screw m4x25	
60	60004872	Filter stick	
60-2-A	01055040	Inlinefilter 42μ (1 pc)	
60-3	00349407	O-ring	
A	00514679	Thermistor	



\* Apply Heat Sinc Compound P/N 60251

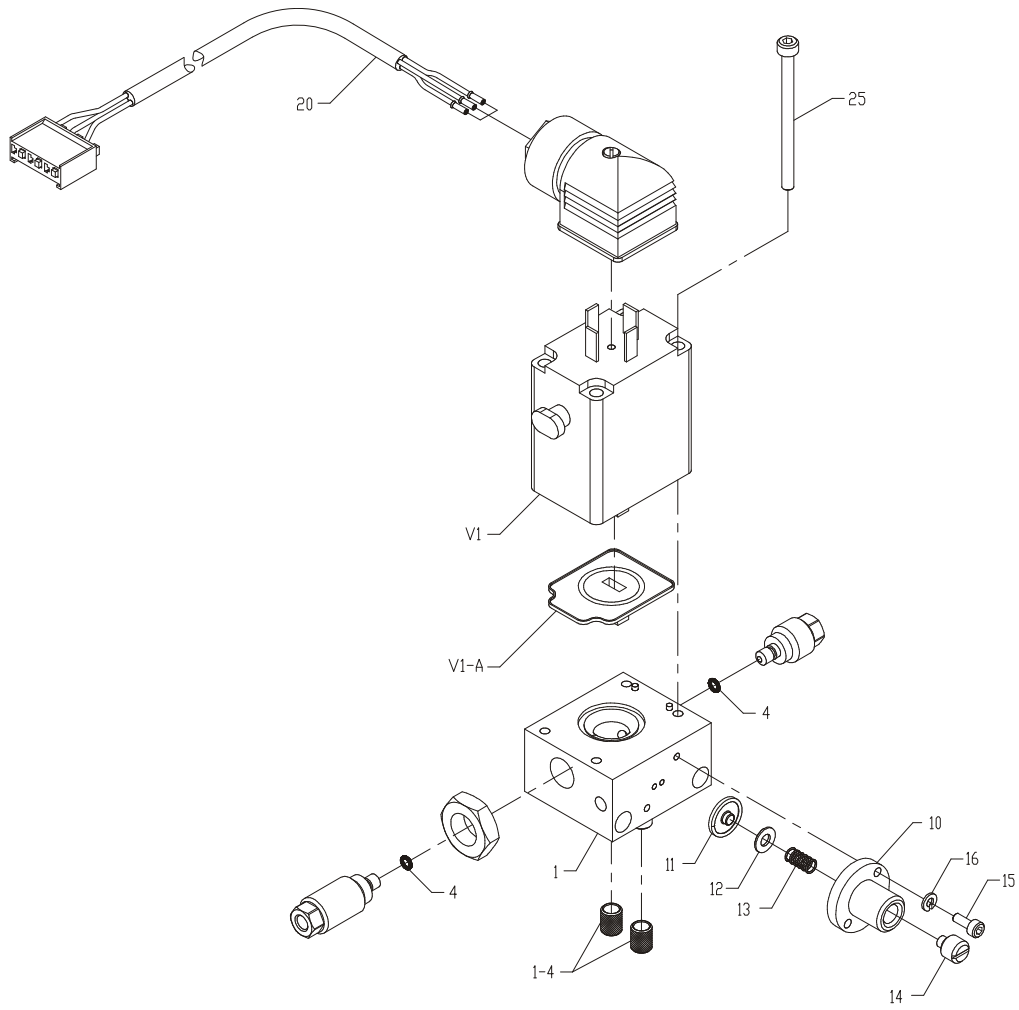
300

Fig. 11

## 13 Flow Control Unit

**Drawing No.: 00536805****Page: 310-1**

<b>Pos.</b>	<b>Part No.</b>	<b>Description</b>	<b>Prod. No.</b>
1	00540591	Rinse block	
1-4	00495135	Union	
4	00198499	O-ring	
10	00496273	Valve house	
11	60027829	Membrane	
12	00000414	Washer	
13	00325639	Spring	
14	00536425	Adjustment screw	
15	00705251	Screw	
16	00299313	Washer	
20	00536813	Cable assembly	
25	00243451	Screw m4x55	
V1	00499855	Magnet system	
V1-A	00536763	Membrane	



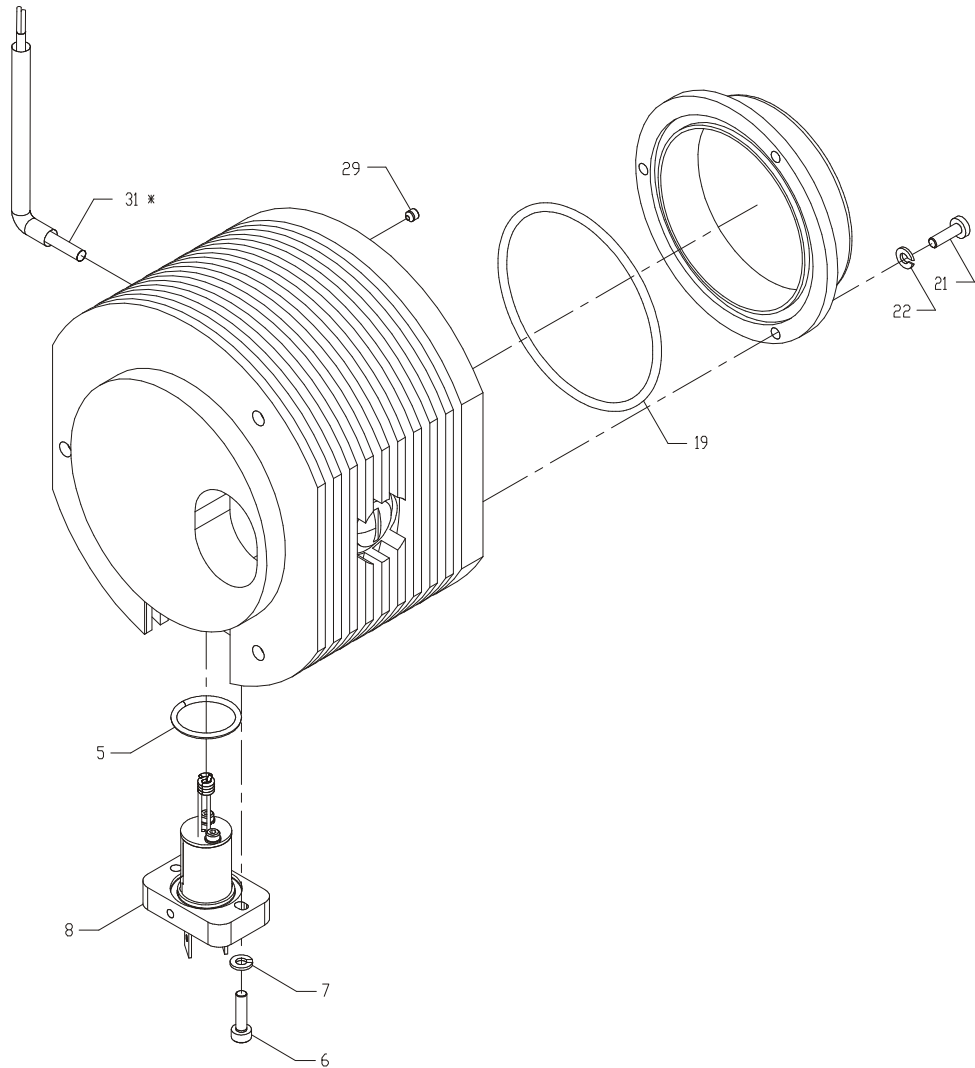
310

*Fig. 12*

## 14 Source Unit

**Drawing No.:** 00536565      **Page:** 400

<b>Pos.</b>	<b>Part No.</b>	<b>Description</b>	<b>Prod. No.</b>
5	00209452	O-ring	
6	00219147	Allen screw	
7	00299313	Washer	
8	60043805	Source assembly	
19	00536581	O-ring	
21	00820225	Screw m3x10	
22	00299313	Washer	
29	00140525	Allen screw	
31	00536599	NTC-complete	



\* Apply Heat Sinc Compound P/N 60251

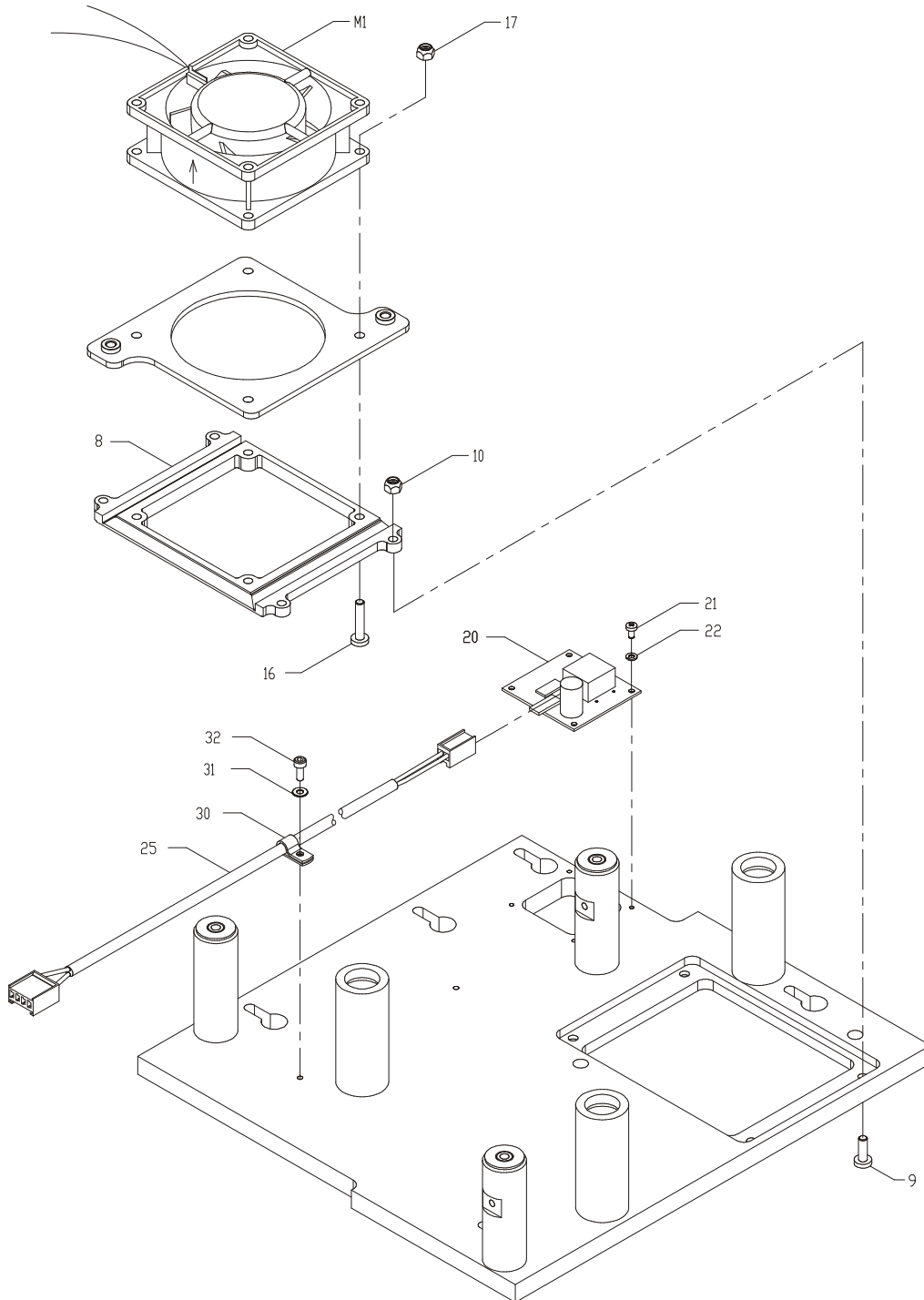
400

*Fig. 13*

## 15 Vibration Damper

**Drawing No.: 00536656****Page: 410-1**

<b>Pos.</b>	<b>Part No.</b>	<b>Description</b>	<b>Prod. No.</b>
8	00538082	Foot	
9	00820373	Screw m4x12	
10	00111872	Lock nut m4	
16	00820415	Screw m4x20	
17	00111872	Lock nut m4	
20	00520353	Fan drive PCB	
21	00820100	Screw m2.5x05	
22	00435321	Springwasher	
25	00537555	Cable assembly	
30	00053207	Nylon clamp	
31	00000554	Washer	
32	00705251	Screw	
M1	00499517	Fan	



410

Fig. 14

## 16 Interferometer Unit

**Drawing No.:** 00537167      **Page:** 450-1

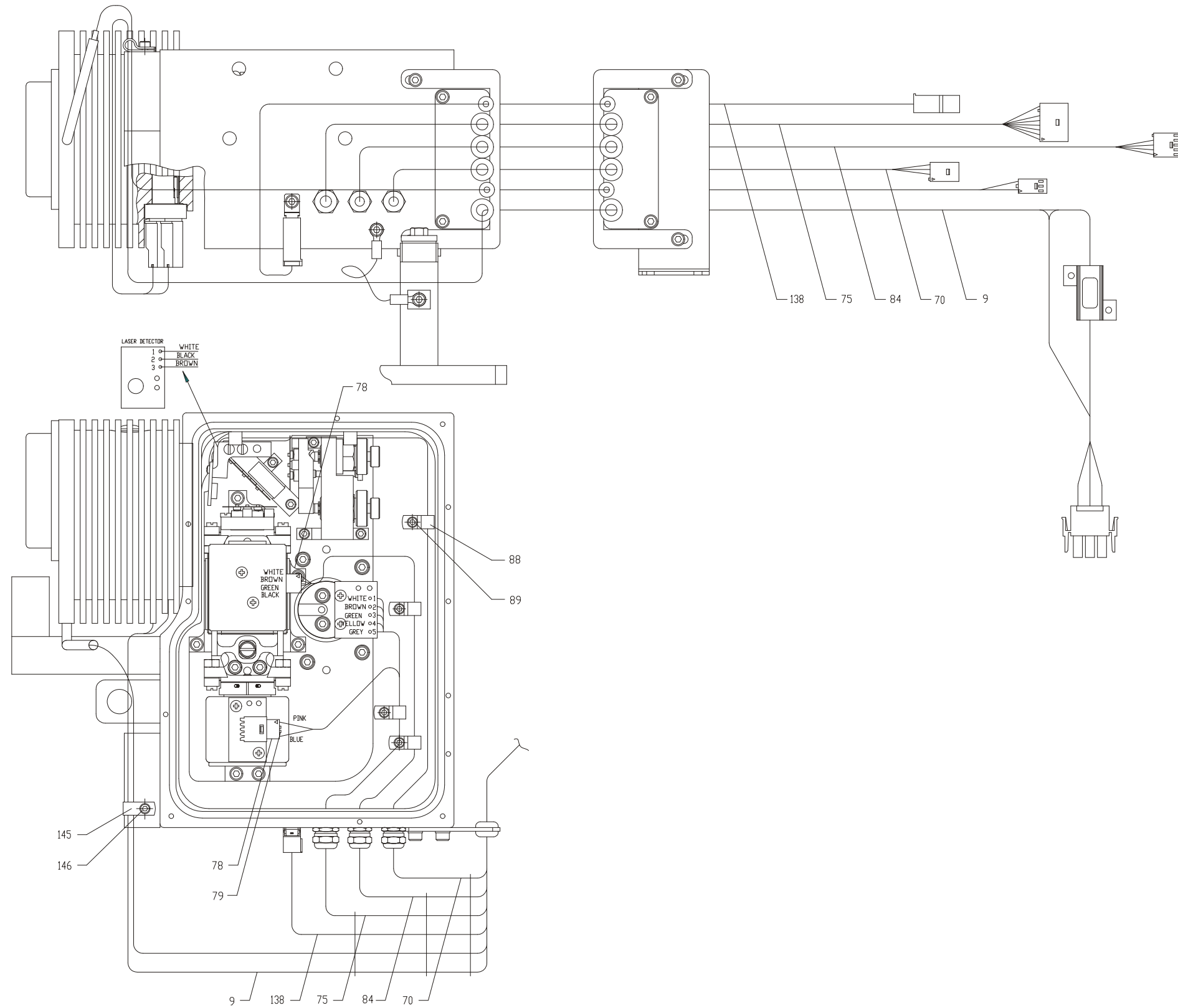
<b>Pos.</b>	<b>Part No.</b>	<b>Description</b>	<b>Prod. No.</b>
13	00536540	Damper	
20	00499608	Washer	
21	00538645	Screw	
24	00291724	Allen screw M4x12	
27	00536474	Stopper with o-ring	
28	00536466	Stopper with o-ring	
32	00702308	O-ring ø20xø1.5	
33	00536961	Windows	
34	00821280	Screw m3x08	
35	00821462	Screw m4x16	
38	00536979	Baseplate	
40	00201137	Allen screw	
45	60046107	Motor	00536953
46	00201152	Allen screw	
48	00495648	Mirror Bracket	
49	00219147	Allen screw	
52	00536987	Beamsplitter	
53	00219147	Allen screw	
58	00416693	Screw	
59	00109108	Springwasher	
61	01015197	O-ring	
62	00582999	Print assy Laser Detector PCB	
63	00820027	Screw m2x05	
76	00536664	Thermostat unit	
77	00230441	Allen screw	
95	01010727	O-ring	
98-13	00710624	Allen screw	
99	00108480	Allen screw	
101	00333625	O-ring	
102	01000462	Si. cartridge	
102-3	01000632	Filter for Si.Cartridge	
102-6	01015633	Label	
102-8	01011078	Grease apiezon L-type ultra high	
117	60027290	Laser Lamp	
120	00496786	Plate spring	
121	00227348	Allen screw M3x6	
154	00256701	Allen screw	
163	00109108	Springwasher	
164	00710624	Allen screw	
175	01015293	Screw	
A	00536458	Stopper	



## 17 Interferometer Unit

**Drawing No.:** 00537167      **Page:** 450-2

<b>Pos.</b>	<b>Part No.</b>	<b>Description</b>	<b>Prod. No.</b>
9	00537084	Cable assembly	
70	00537001	Cable assembly	
75	00536995	Cable assembly	
78	00410555	Plug	
79	00326405	Code pin	
84	00537027	Cable assembly	
88	00053207	Nylon clamp	
89	00705251	Screw	
138	00537076	Cable cpl.	
145	00053207	Nylon clamp	
146	00227348	Allen screw M3x6	



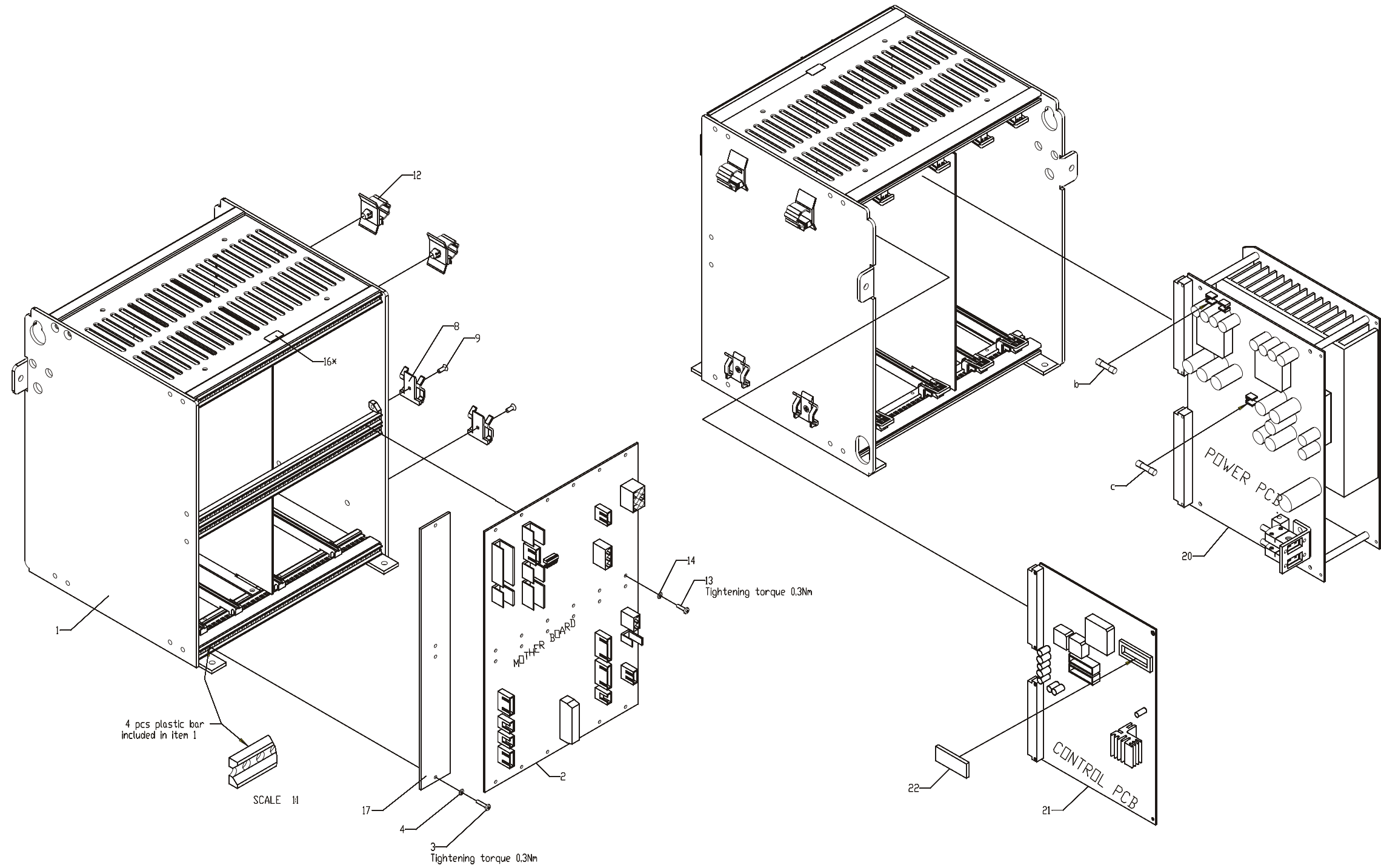
450-2

Fig. 16

## 18 Electronics Rack

*Drawing No.:* 00536672      *Page:* 500-1

<b>Pos.</b>	<b>Part No.</b>	<b>Description</b>	<b>Prod. No.</b>
2	00465856	Motherboard	
3	00821827	Screw m2.5x12	
4	00435321	Springwasher	
12	00480889	Cable holder	
13	00820126	screw	
14	00435321	Springwasher	
20	00583559	Print assy Power pcb	
21	00582718	Print assy control pcb	
22	00519157	P-rom	
B	00191007	Fuse	
C	00127316	Fuse 10 A, slow	



\* Text, see dwg 537712.kl no 53

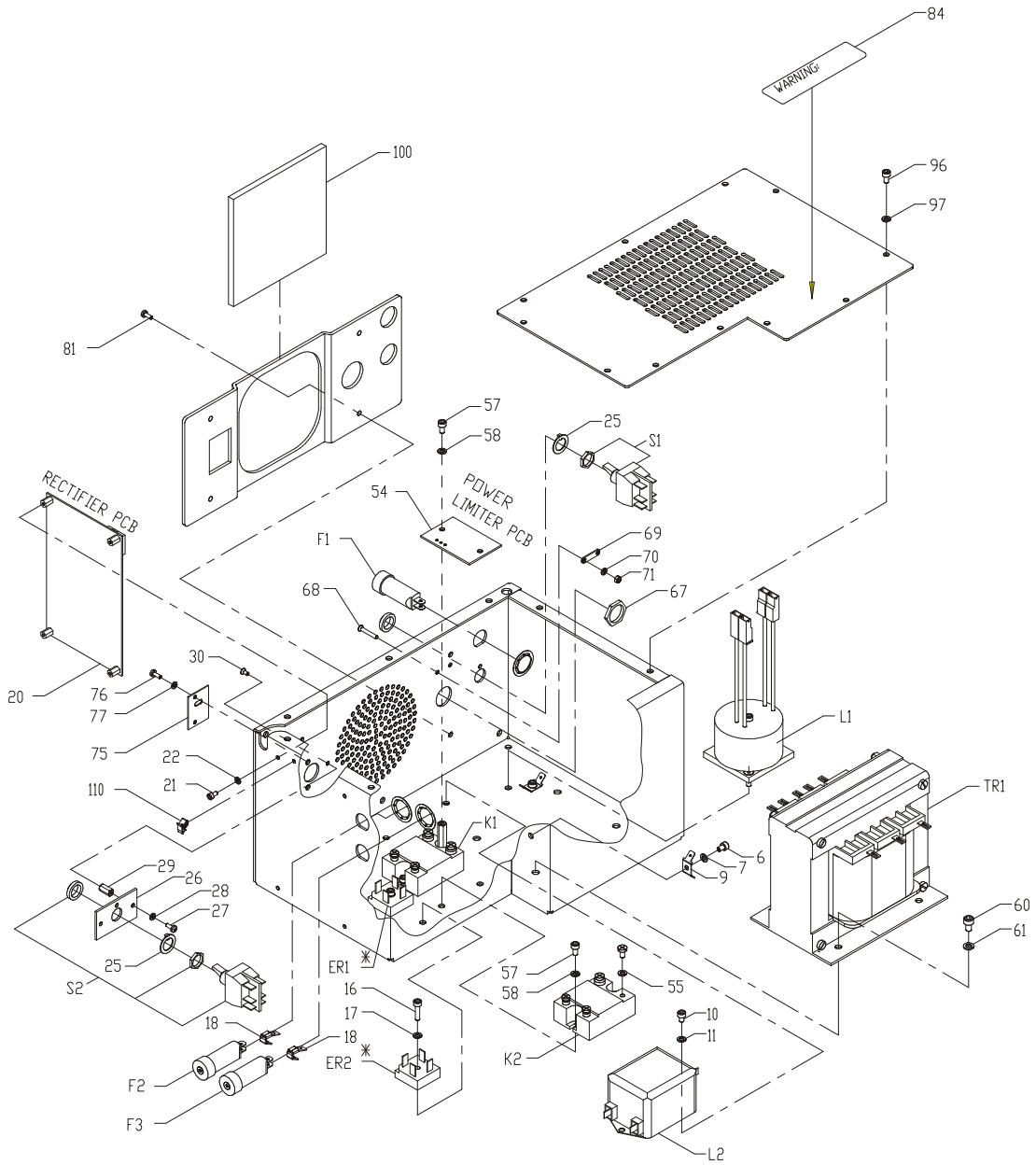
Fig. 17

## 19 Power Supply

Drawing No.: 00536821

Page: 510-1

Pos.	Part No.	Description	Prod. No.
6	00256701	Allen screw	
7	00109108	Springwasher	
9	00277137	Spade	
10	00256701	Allen screw	
11	00109108	Springwasher	
16	00201152	Allen screw	
17	00109108	Springwasher	
20	00465898	Rectifier PCB	
21	00227348	Allen screw M3x6	
22	00299313	Washer	
25	00238261	Lock washer	
26	00323022	Plate	
27	00820217	Screw m3x08	
28	00299313	Washer	
29	00098186	Stay	
30	00821272	Screw m3x06	
54	00583732	Print assy Power Limiter Pcb	
55	00109108	Springwasher	
57	00710624	Allen screw	
58	00109108	Springwasher	
60	00709550	Allen screw	
61	00357897	Springwasher	
67	00046458	Nut pg11	
68	00821348	Screw m3x20	
69	00035022	Cable clamp	
70	00299313	Washer	
71	00153403	Nut	
75	00501379	Plate	
76	00820217	Screw m3x08	
77	00299313	Washer	
81	00820217	Screw m3x08	
84	00280966	Label	
96	00710624	Allen screw	
97	00109108	Springwasher	
100	00537787	Filter	
110	00496828	Cable holder	
ER01	00384172	Bridge rectifier	
ER02	00384172	Bridge rectifier	
F1	00263517	Fuse aut.	
F2	00497107	Fuse	
F3	00263517	Fuse aut.	
K1	00497008	Relay	
K2	00497008	Relay	
L1	01015267	Noise filter	
L2	00435115	Noise filter	
S1	00276998	Switch	
S2	00276998	Switch	
TR01	00496877	Transformer	



\* Apply Heat Sinc Compound P/N 60251

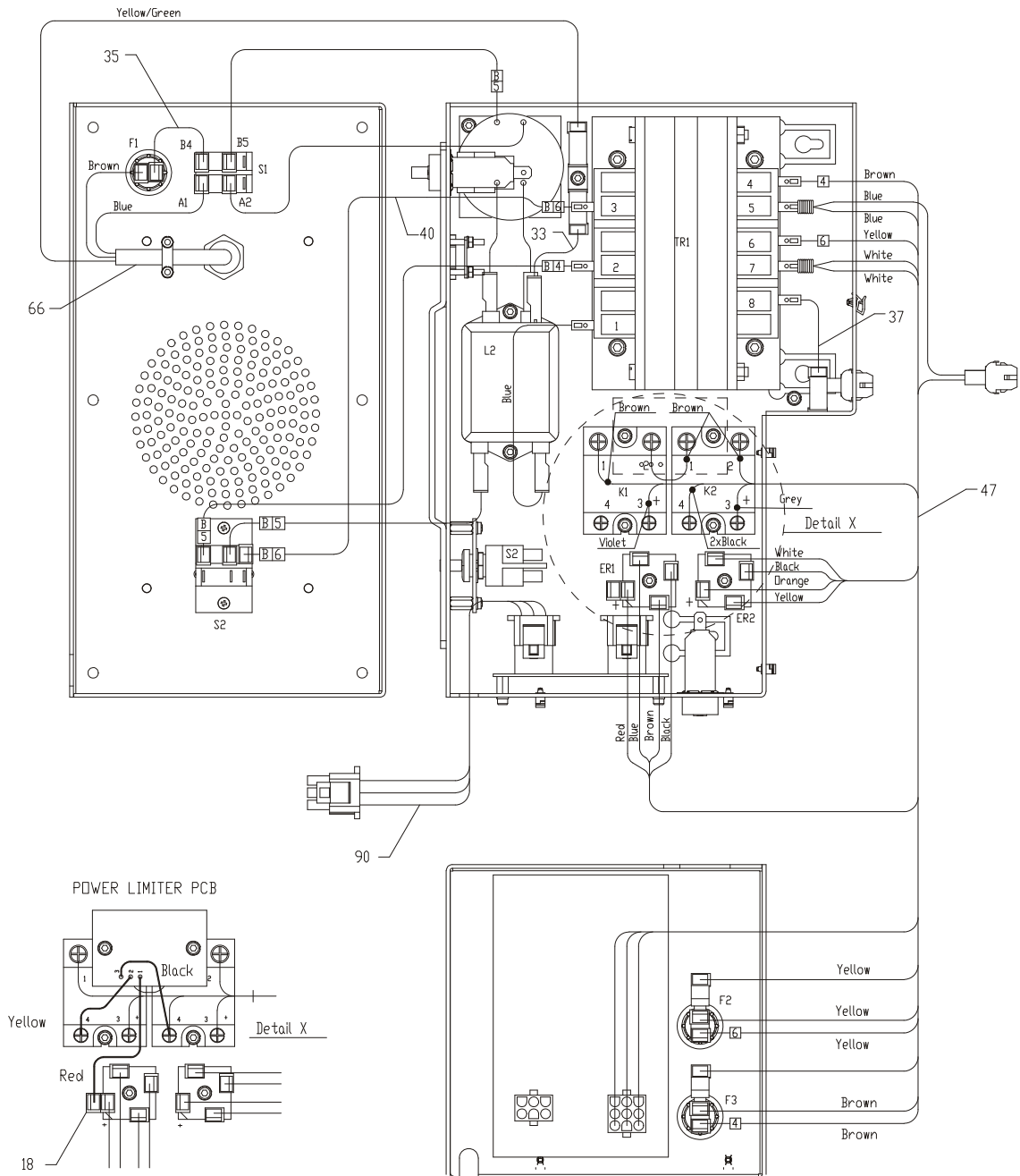
510-1

Fig. 18

## 20 Power Supply, El. Connection

**Drawing No.: 00536821****Page: 510-2**

<b>Pos.</b>	<b>Part No.</b>	<b>Description</b>	<b>Prod. No.</b>
18	00052118	Plug	
33	00536847	Earth wire	
35	00536854	Cable cpl.	
37	00536862	Cable cpl.	
40	00536870	Cable harness 1	
47	00536888	Cable harness 2	
66	00536839	Power cable Power enhed P/d 71210	
90	00536896	Cable assembly	



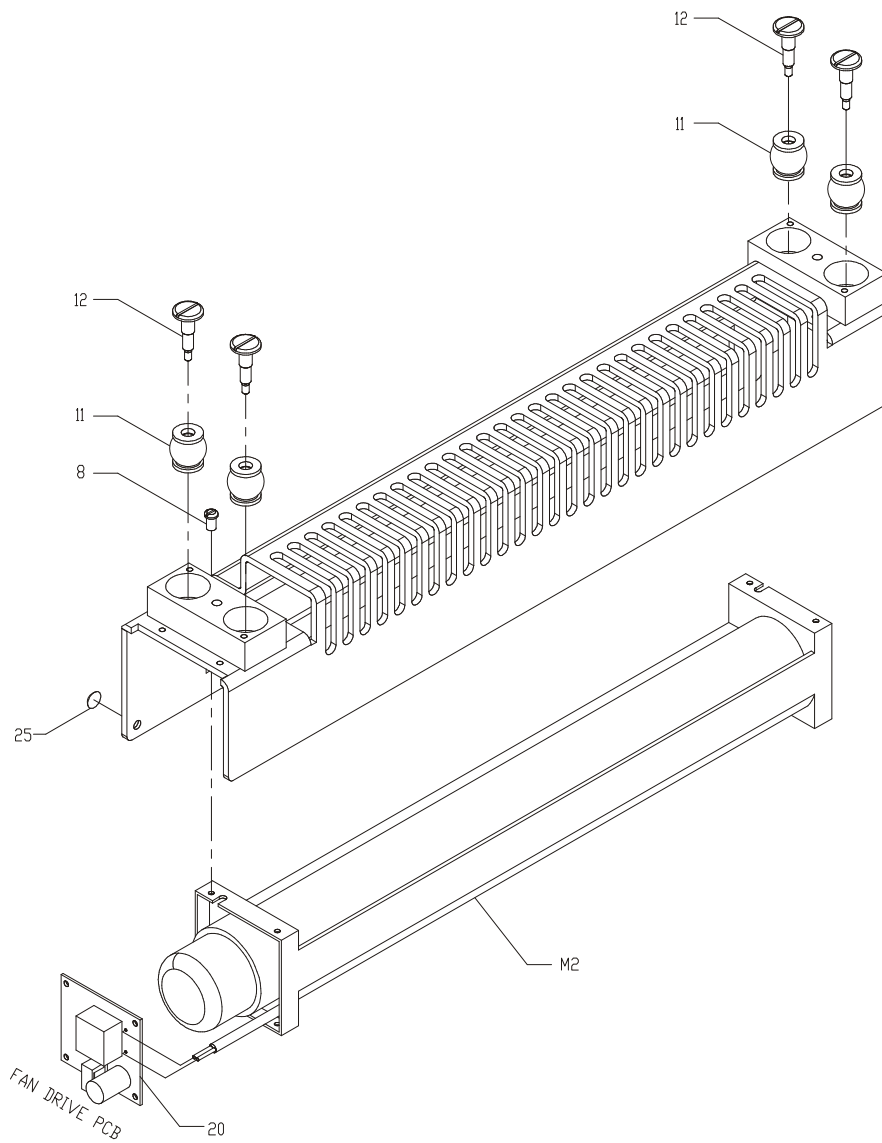
510-2

Fig. 19

## 21 Fan Unit

**Drawing No.: 00536748****Page: 520-1**

<b>Pos.</b>	<b>Part No.</b>	<b>Description</b>	<b>Prod. No.</b>
8	00011429	Screw	
11	00538157	Damper	
12	00538132	Screw	
20	00520353	Fan drive PCB	
25	00433698	Rubber Pad	
M2	00363762	Fan	



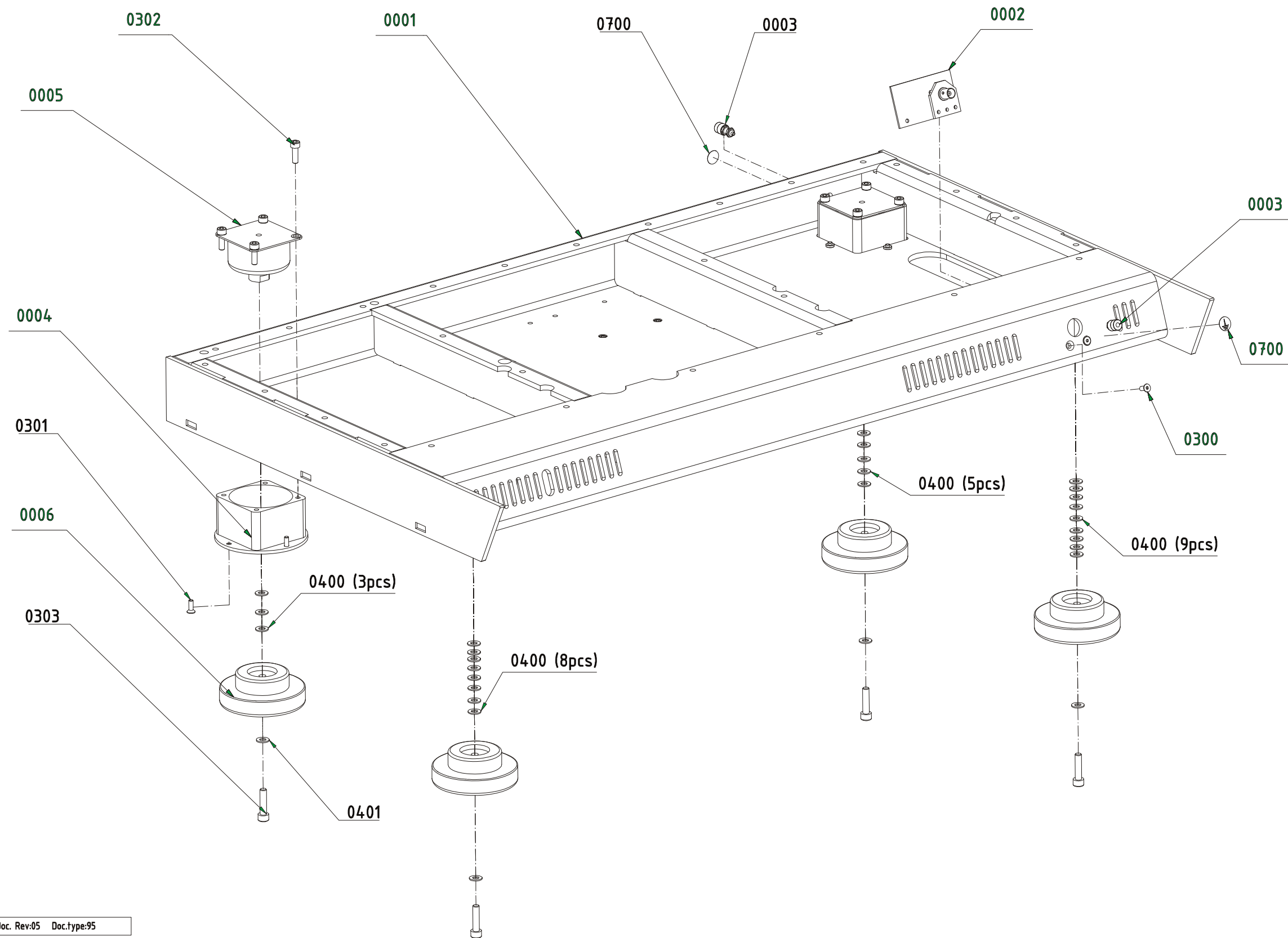
520

Fig. 20

## 22 Base Unit

**Drawing No.: 60044951****Page: 530-1**

<b>Pos.</b>	<b>Part No.</b>	<b>Description</b>	<b>Prod. No.</b>
2	00520437	Waste liquid PCB	
3	00128587	Plug	
5	00499905	Shockabsorber	
300	00277772	Allen screw	
301	00412346	Screw m4x12	
302	00705012	Screw	
303	00057950	Allen screw	
400	00187484	Washer	



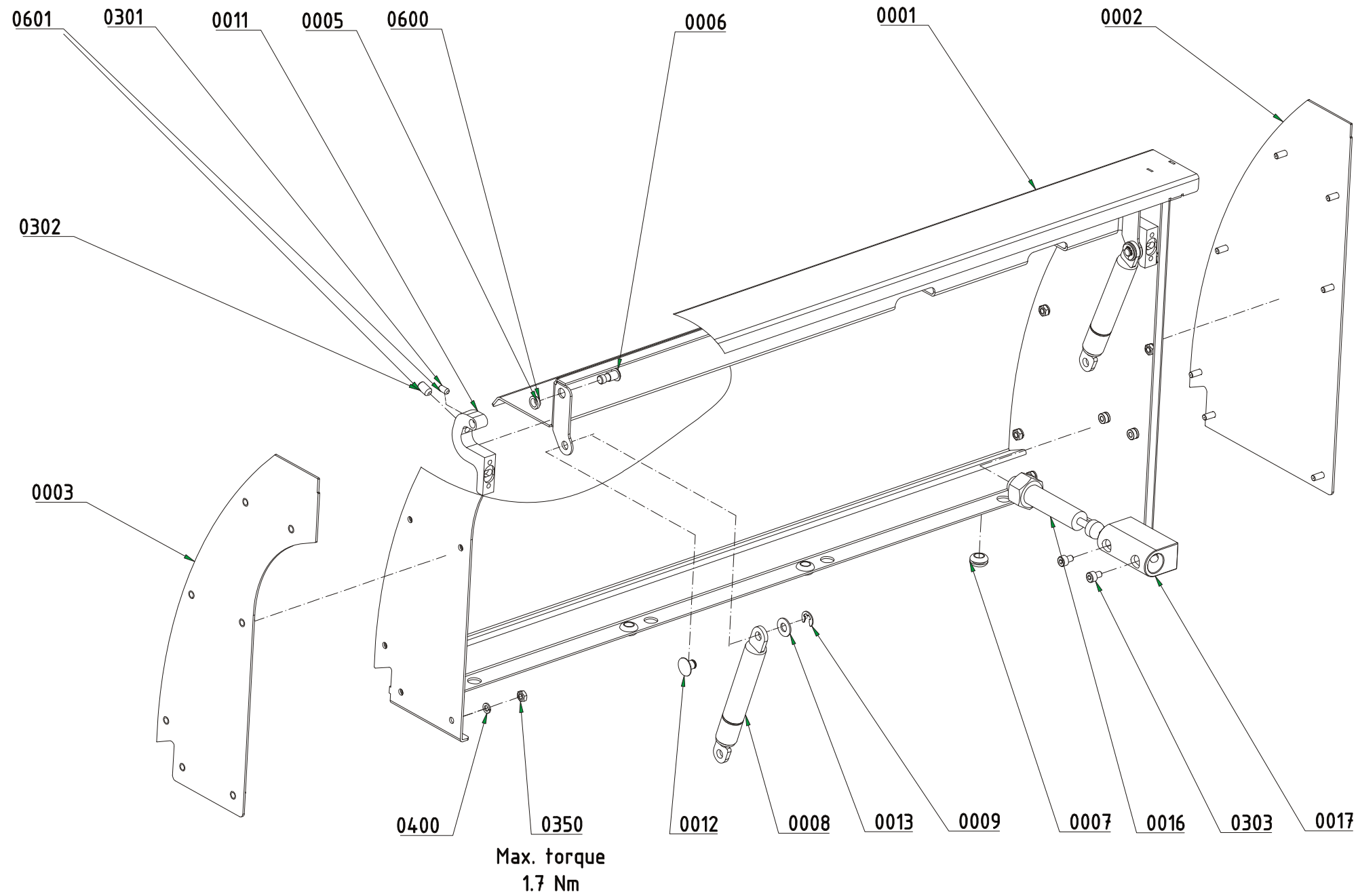
60044951 Doc. Rev:05 Doc.type:95

Fig. 21

## 23 Left Door Unit

*Drawing No.: 60044977**Page: 540-1*

<b>Pos.</b>	<b>Part No.</b>	<b>Description</b>	<b>Prod. No.</b>
1	60044972	Left door welded	
2	60044973	Left door decorating assembly	
3	60044978	Left door decorating assembly	
5	60046717	Bearing	
6	00499434	Bearing	
8	60044981	Gas Spring L=146/40 - 150 Nm	
11	00496638	Stand	
13	60044983	Special Washer $\varnothing$ 6(T=1.0mm)	
16	60046687	Damper with Nylonknob	
17	60046715	Damper Base	
301	00117572	Allen screw	
302	00114769	Allen screw	
303	00256701	Allen screw	
350	00051433	Nut m4	
400	00109108	Springwasher	



60044977 Doc. Rev:05 Doc.type:95

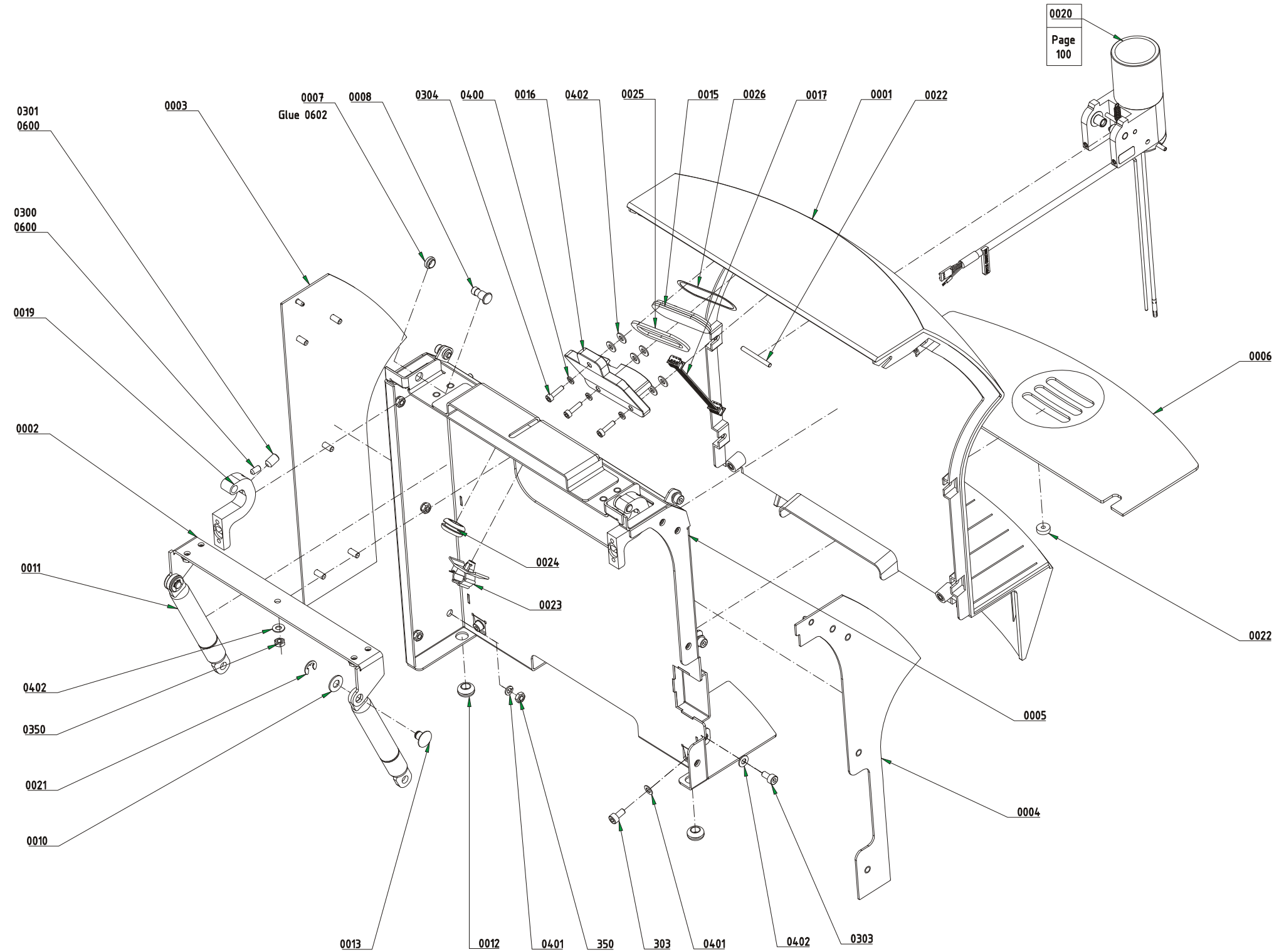
540

Fig. 22

## 24 Right Door Unit

*Drawing No.: 60044898**Page: 550-1*

<b>Pos.</b>	<b>Part No.</b>	<b>Description</b>	<b>Prod. No.</b>
1	60044897	Right door plastic	
2	60044982	Right door frame bracket	
3	60044895	Right door plate assembly	
4	60044967	Right door left plate assembly	
5	60044966	Right door frame assembly	
6	60046722	Sample plate assembly	
7	60046717	Bearing	
8	00499434	Bearing	
10	60044983	Special Washer $\varnothing$ 6(T=1.0mm)	
11	60044984	Gas Spring L=146/40 - 100Nm	
13	00499418	Bearing for top	
15	60035666	Push Button with PCB and Windows	
17	60044947	Cable, Start Button	
19	00496638	Stand	
21	00403691	Retaining ring	
27	60046721	Washer	
300	00117572	Allen screw	
301	00114769	Allen screw	
303	00710624	Allen screw	
304	00219147	Allen screw	
350	00051433	Nut m4	
400	00299313	Washer	
401	00109108	Springwasher	
402	00109397	Washer	



60044898 Doc. Rev:05 Doc.type:95

Fig. 23

## 25 Cabinet Unit

*Drawing No.: 60044950*

*Page: 590-1*

Pos.	Part No.	Description	Prod. No.
3	00277137	Spade	
5	00499541	EMC-strip	
10	00006783	Spring	
11	00537837	Spring pawl	
12	60044924	Top cover assembly	
15	00039495	Spring	
17	60047277	Screw	
18	00041467	Retaining ring	
22	60044960	Flowcheck	
23	60044940	Funnel assembly	
24	00499921	Union	
27	60044213	PCB LED Indicator	00590497
30	60044977	Left door Unit	
31	60044898	Right door Unit	
300	00291724	Allen screw M4x12	
302	00277772	Allen screw	
304	00821272	Screw m3x06	
305	00710624	Allen screw	
306	00820191	Screw m3x05	
307	00821280	Screw m3x08	
309	00201152	Allen screw	
310	00705251	Screw	
311	00201160	Allen screw	
312	00011569	Allen screw	
313	00820209	Screw m3x06	
350	00153403	Nut	
351	00299305	Lock nut m3	
352	00111872	Lock nut m4	
400	00109397	Washer	
402	00109108	Springwasher	
403	00299313	Washer	
404	00296640	Washer	

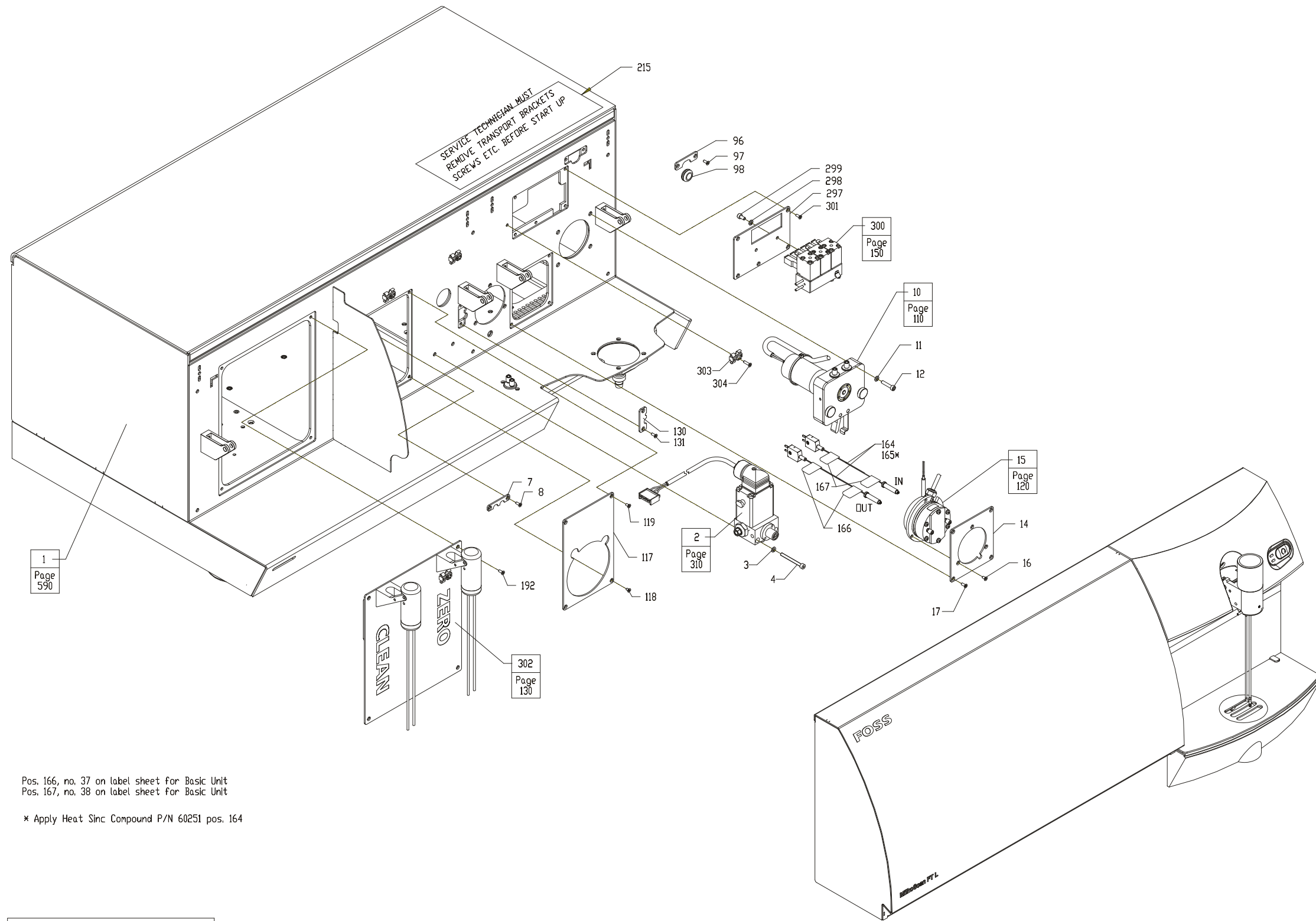


## 26 Basic Unit

*Drawing No.: 60045000*

*Page: 600-1*

<b>Pos.</b>	<b>Part No.</b>	<b>Description</b>	<b>Prod. No.</b>
2	60046106	Flow Control	00536805
3	00109108	Springwasher	
4	00194282	Screw m4x40	
8	00821280	Screw m3x08	
10	60046105	Tube pump	00536755
11	00109108	Springwasher	
12	00201137	Allen screw	
15	60047653	Heat exchanger	00537324
16	00821272	Screw m3x06	
17	00821280	Screw m3x08	
31	00060251	Silic. Comp.	
111	00060251	Silic. Comp.	
118	00821264	Screw m3x05	
119	00821272	Screw m3x06	
131	00821280	Screw m3x08	
164	00060251	Silic. Comp.	
165	00496869	Thermocoupler	
298	00109108	Springwasher	
299	00710624	Allen screw	
301	00821280	Screw m3x08	
302	60044997	Pipette Unit Clean/Zero	
303	00539668	Cable Holder	
304	00821306	Screw m3x12	



Pos. 166, no. 37 on label sheet for Basic Unit  
 Pos. 167, no. 38 on label sheet for Basic Unit

\* Apply Heat Sinc Compound P/N 60251 pos. 164

60045000\_95\_1 2.1 Dokument: 60045000\_95\_1

Fig. 25

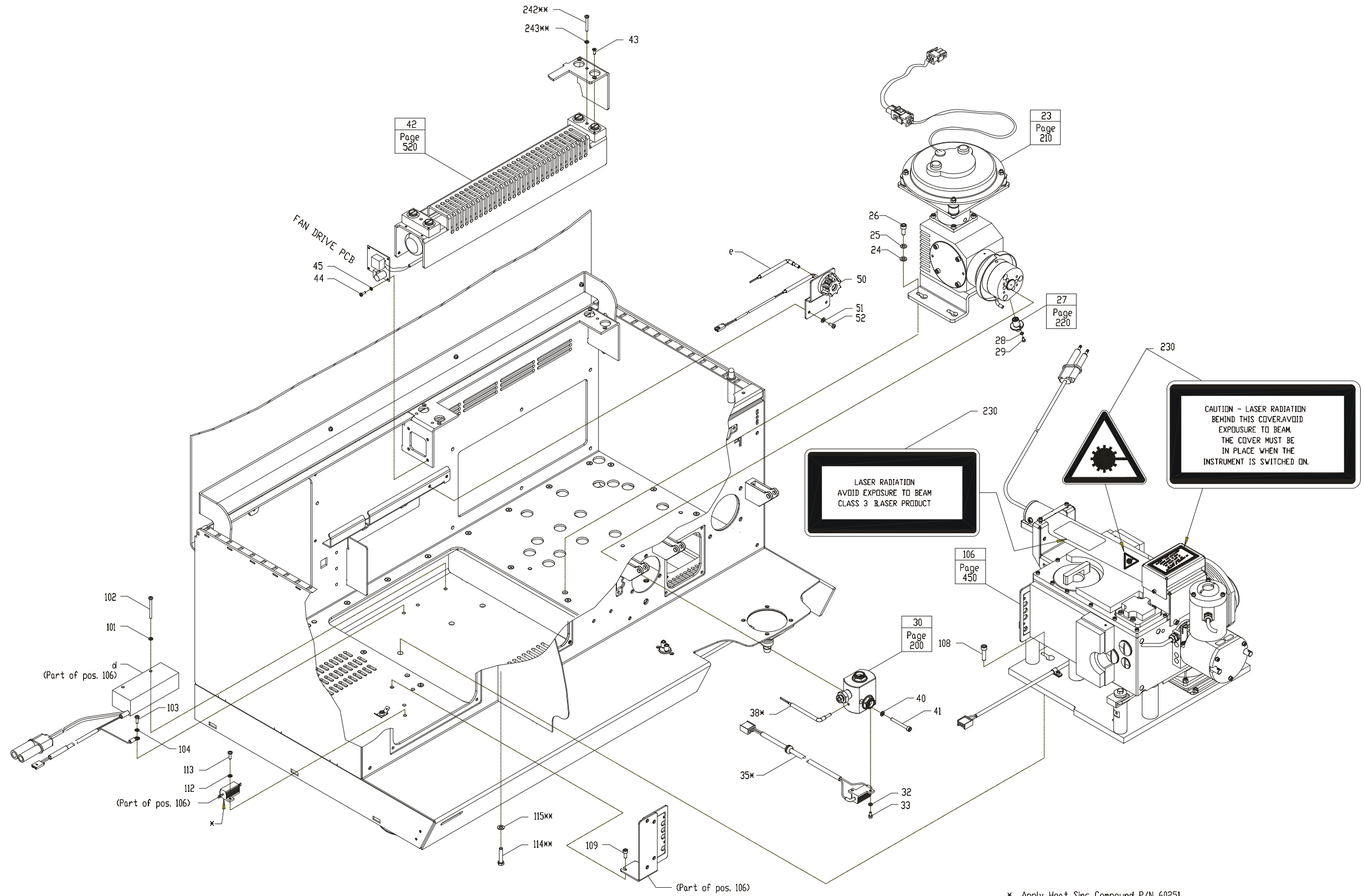
600-1

## 27 Basic Unit

**Drawing No.:** 60045000

**Page:** 600-2

Pos.	Part No.	Description	Prod. No.
26	00202614	Screw	
27	60046164	One way valve	60002385
28	00435321	Springwasher	
29	00189449	Allen screw	
32	00299313	Washer	
33	00227348	Allen screw M3x6	
35	00537613	Cable assembly	
38	00537621	NTC-complete	
40	00109108	Springwasher	
41	00230441	Allen screw	
43	00821280	Screw m3x08	
44	00820118	Screw m2.5x08	
45	00435321	Springwasher	
50	00537548	Angle w. NTC	
51	00299313	Washer	
52	00820217	Screw m3x08	
101	00299313	Washer	
102	00820308	Screw m3x35	
103	00820225	Screw m3x10	
104	00299313	Washer	
108	00201145	Allen screw	
109	00011569	Allen screw	
112	00299313	Washer	
113	00820225	Screw m3x10	
114	00538488	Screw	
115	00008821	Washer	
230	00538561	Label sheet warning	
242	00820282	Screw m3x25	
243	00299313	Washer	
D	60046151	Power supply	00537597
E	00514679	Thermistor	



60045000\_95\_2 2.1 Dokument: 60045000\_95\_2

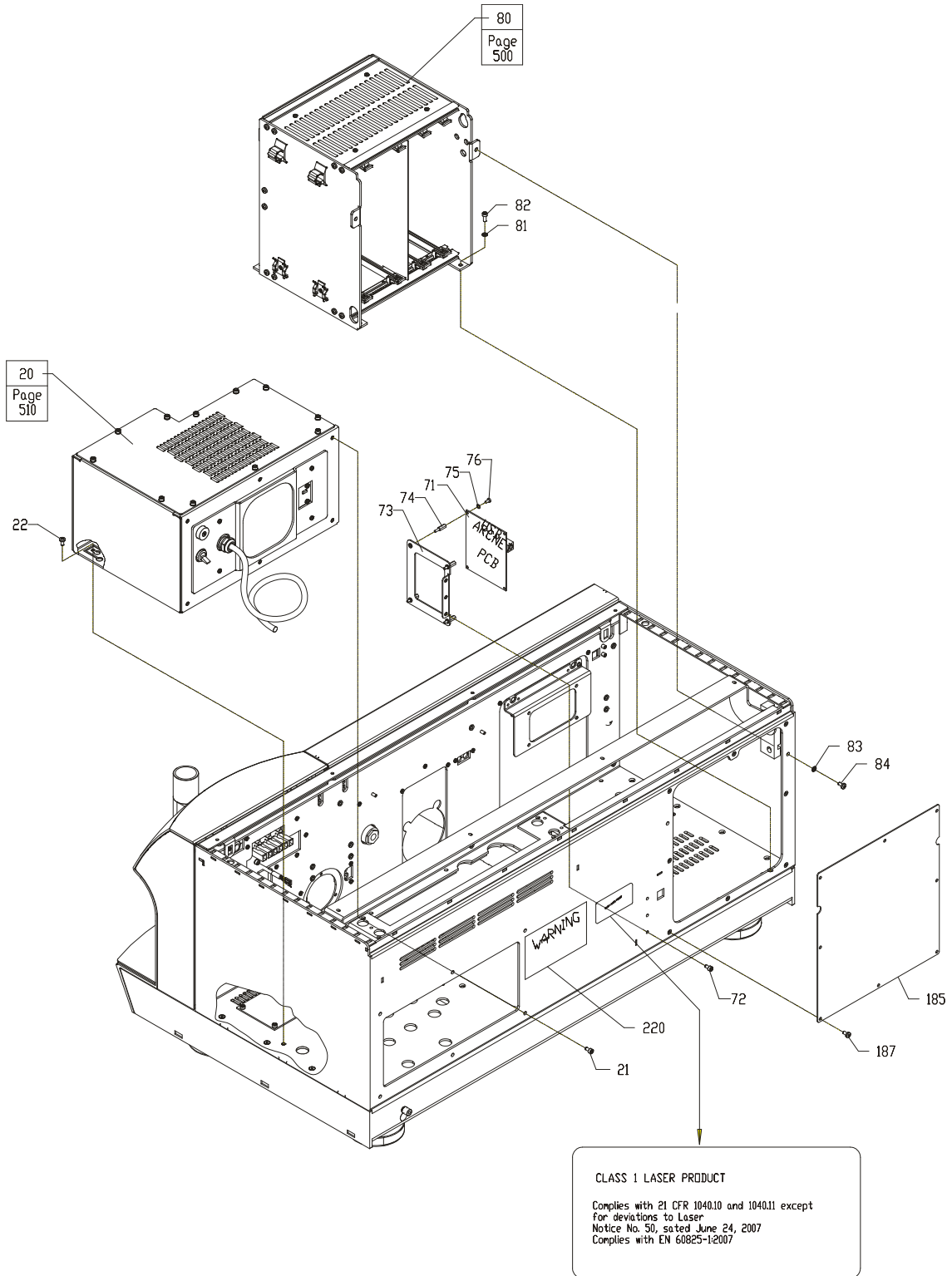
\* Apply Heat Sinc Compound P/N 60251  
 \*\* Transportation screw

600-2

Fig. 26

**28 Basic Unit****Drawing No.: 60045000****Page: 600-3**

<b>Pos.</b>	<b>Part No.</b>	<b>Description</b>	<b>Prod. No.</b>
21	00820357	Screw m4x08	
22	00710624	Allen screw	
71	00591313	USB/Arcnet Interface PCB	
72	00710624	Allen screw	
75	00299313	Washer	
76	00820209	Screw m3x06	
81	00109108	Springwasher	
82	00011569	Allen screw	
83	00109108	Springwasher	
84	00820357	Screw m4x08	
187	00820340	Screw m4x06	
220	00511642	Lable	



\* Tekst no. 150 from label sheet for Basic Unit.

60045000\_95\_3 2.1 Dokument: 60045000\_95\_3

600-3

Fig. 27

## 29 Basic Unit, Tubing

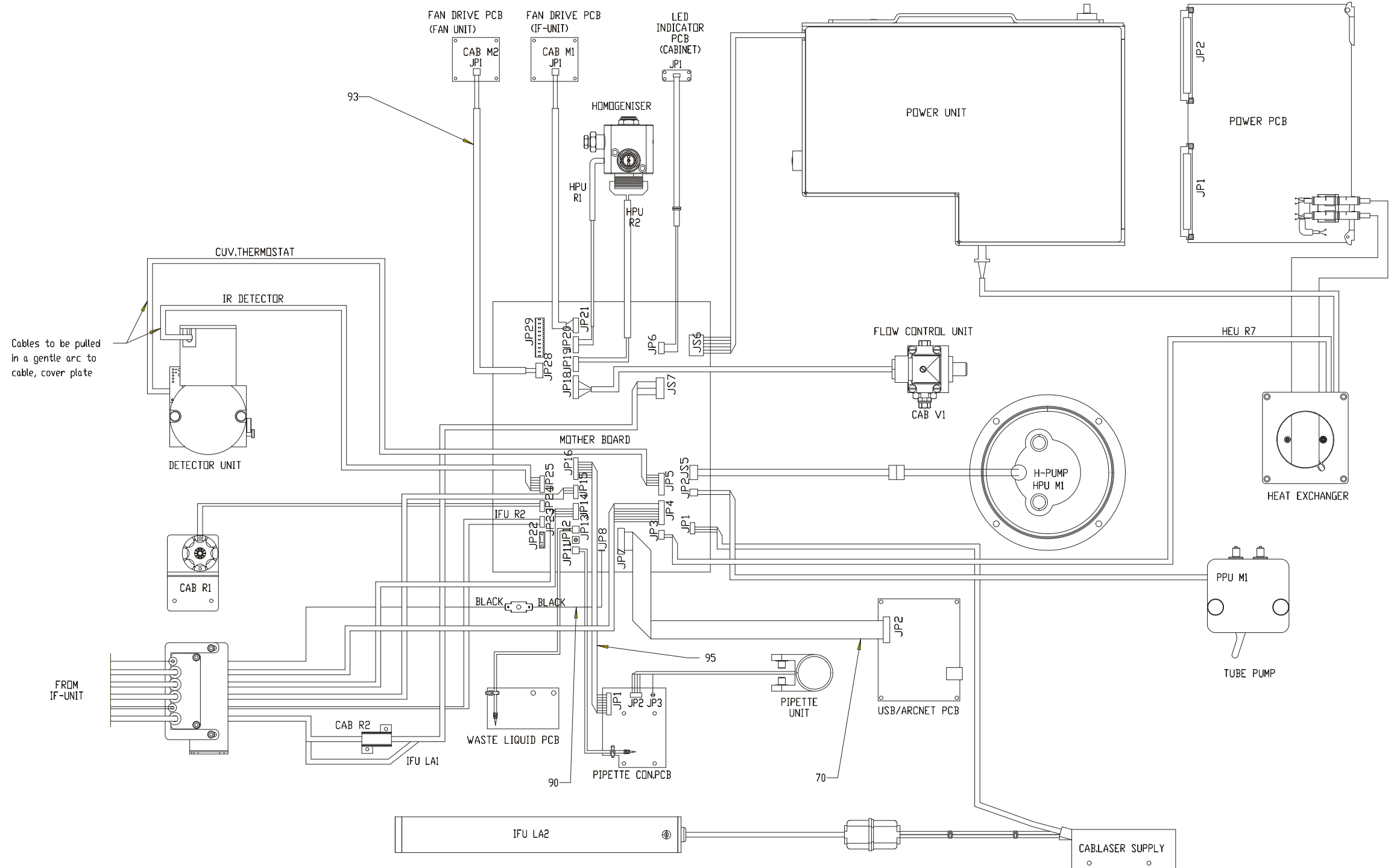
**Drawing No.: 60045000****Page: 600-4**

<b>Pos.</b>	<b>Part No.</b>	<b>Description</b>	<b>Prod. No.</b>
125	00537647	Tube assy L=340mm	
126	00537639	Tube assy L=395mm	
127	00537654	Tube assy L=320mm	
140	00028613	PVC Ø2/4	
141	00028613	PVC Ø2/4	
145	00101287	Silic. Ø1.5x3	
197	60046153	Waste unit	00538009
305	00028613	PVC Ø2/4	
306	00028613	PVC Ø2/4	
307	00101287	Silic. Ø1.5x3	
308	00101287	Silic. Ø1.5x3	
309	00028613	PVC Ø2/4	
A	00102921	Pvc Ø10/14	
B	60046165	Container, 10 litres.	00533174
B-1	00532960	Container	
B-2	00533182	Lid	



**30 Basic Unit, El. Connection****Drawing No.: 00537712****Page: 600-5**

<b>Pos.</b>	<b>Part No.</b>	<b>Description</b>	<b>Prod. No.</b>
70	00537563	Cable	
90	00537571	Cable cpl.	
93	00537589	Cable assembly	
95	00537605	Cable assembly	



60045000\_95\_5 2.1 Dokument: 60045000\_95\_5

600-5

Fig. 29

## 31 Accessories

*Drawing No.:* -

*Page:* 650-1

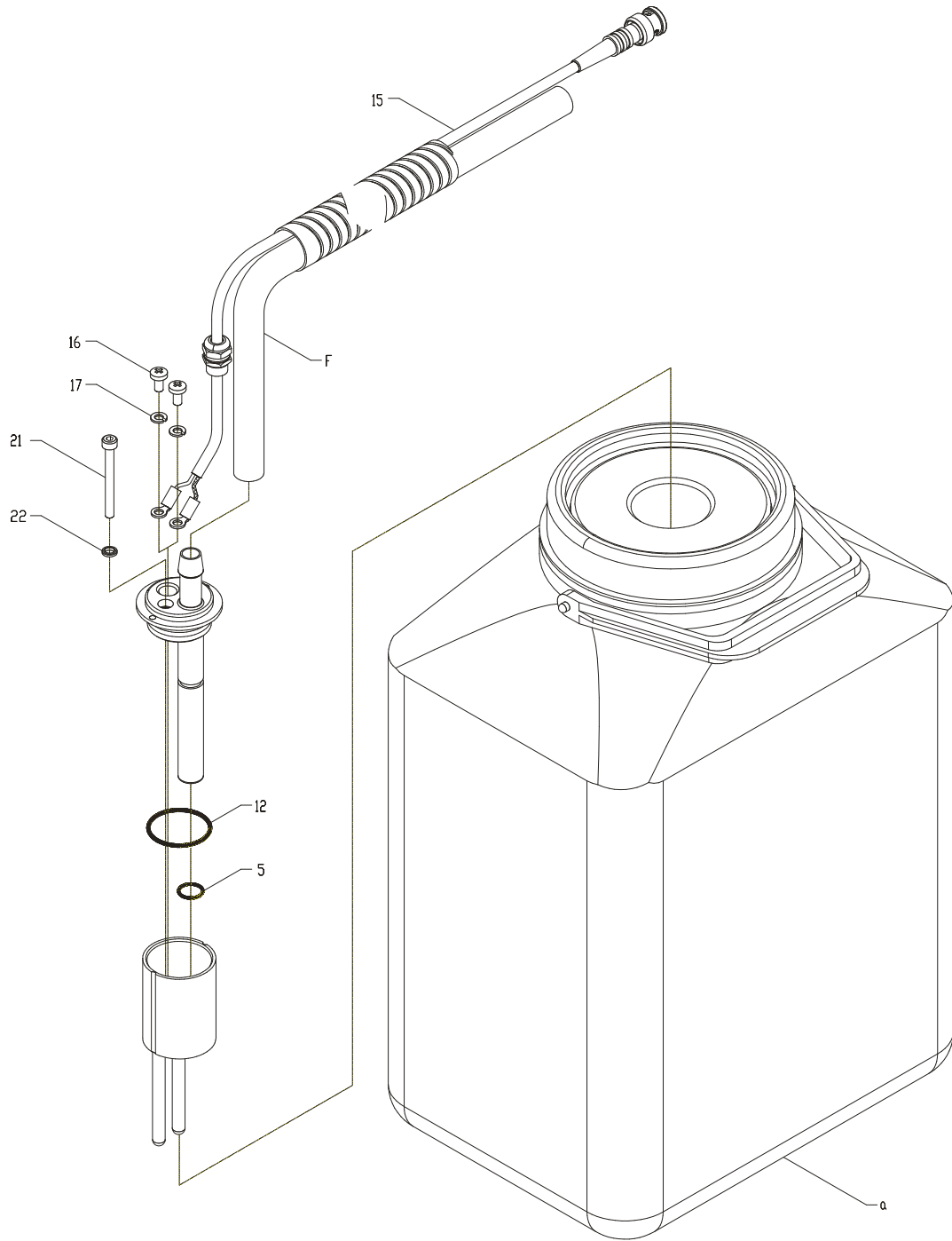
Pos.	Part No.	Description	Prod. No.
9	01015262	Bottle 5 L.	
10	01015263	Bottle for rinsing 5L	

## 32 Waste Unit

*Drawing No.:* -

*Page:* 700-1

Pos.	Part No.	Description	Prod. No.
5	00302851	O-ring ø010.00xø1.30	
12	00390120	O-ring	
15	00497495	Cable	
16	00710624	Allen screw	
17	00109108	Springwasher	
21	00194282	Screw m4x40	
22	00158808	U-ring	



00538009\_IS 3.0 Dokument: 4AS.5.28

700

Fig. 30



### 33 Index

<b>Part No.</b>	<b>Page</b>		
00000414	24	00201152	30, 36, 48
00000554	28	00201160	48
00006783	48	00202614	18, 52
00007823	4	00209452	26
00008821	52	00219121	6, 8, 14, 20
00008839	12	00219147	22, 26, 30, 46
00011429	40	00227348	4, 6, 30, 32, 36, 52
00011569	18, 48, 52, 54	00230441	30, 52
00011775	4	00238261	36
00028613	56	00243451	24
00035022	36	00243667	16
00039388	12	00248542	16
00039495	48	00256701	30, 36, 44
00041467	48	00263517	36
00046458	36	00276998	36
00051433	44, 46	00277137	36, 48
00052118	38	00277772	42, 48
00053207	28, 32	00280966	36
00054411	18	00287904	18
00054437	4	00291724	30, 48
00057950	42	00296640	48
00060251	50	00299305	48
00078949	8	00299313	4, 8, 10, 18, 22, 24, 26, 36, 46, 48, 52, 54
00098186	36	00302851	60
00101287	56	00306993	4
00102921	56	00323022	36
00108480	22, 30	00325191	10
00109108	14, 18, 30, 36, 44, 46, 48, 50, 52, 54, 60	00325639	24
00109397	18, 46, 48	00326405	32
00111872	28, 48	00331108	18
00114769	44, 46	00333625	30
00117572	4, 44, 46	00337535	14
00127316	34	00349407	22
00128587	42	00357897	12, 18, 36
00140525	8, 22, 26	00363762	40
00144592	16	00368365	22
00153403	36, 48	00384172	36
00158808	60	00390120	60
00164772	18	00399527	16
00166009	18	00403691	46
00176750	16, 20	00410555	32
00187484	42	00412346	42
00189449	4, 52	00416693	30
00191007	34	00433698	40
00194282	50, 60	00435115	36
00198499	24	00435321	4, 22, 28, 34, 52
00201137	30, 50	00445890	22
00201145	18, 52	00457523	16
		00461749	14

00465856	34	00536664	30
00465898	36	00536722	18
00480889	34	00536763	24
00482521	18	00536771	6
00482539	18	00536813	24
00494989	22	00536839	38
00495085	6	00536847	38
00495093	6	00536854	38
00495135	6, 24	00536862	38
00495432	6	00536870	38
00495499	6	00536888	38
00495648	30	00536896	38
00495705	6	00536961	30
00495739	6	00536979	30
00496273	24	00536987	30
00496364	18	00536995	32
00496372	22	00537001	32
00496471	16	00537027	32
00496638	44, 46	00537076	32
00496786	30	00537084	32
00496828	36	00537266	8
00496869	50	00537290	8
00496877	36	00537308	8
00497008	36	00537480	22
00497107	36	00537548	52
00497495	60	00537555	28
00499418	46	00537563	58
00499434	44, 46	00537571	58
00499517	28	00537589	58
00499541	48	00537605	58
00499608	30	00537613	52
00499715	4	00537621	52
00499855	24	00537639	56
00499905	42	00537647	56
00499921	48	00537654	56
00501379	36	00537787	36
00503433	16	00537837	48
00503615	16	00538058	6
00511642	54	00538082	28
00514679	22, 52	00538132	40
00519157	34	00538157	40
00520353	28, 40	00538165	16
00520411	22	00538488	52
00520437	42	00538561	52
00528364	6	00538587	18
00532960	56	00538629	6
00533182	56	00538645	30
00536425	24	00539056	4
00536458	30	00539551	16
00536466	30	00539668	10, 50
00536474	30	00539759	14
00536540	30	00539825	12
00536581	26	00539833	10
00536599	26	00540021	20

00540146	22	00846972	20
00540245	14	01000462	30
00540591	24	01000632	30
00569632	10	01010727	30
00582718	34	01011078	30
00582999	30	01015197	30
00583559	34	01015262	60
00583732	36	01015263	60
00591313	54	01015267	36
00591396	4	01015292	22
00702308	30	01015293	30
00705012	42	01015329	6
00705046	4	01015330	18
00705251	24, 28, 32, 48	01015633	30
00708826	22	01055040	22
00709550	36	60000275	8
00710624	14, 30, 36, 46, 48, 50, 54, 60	60000299	8
00820027	30	60004872	22
00820100	22, 28	60015104	16
00820118	52	60015107	16
00820126	34	60015108	16
00820191	48	60023665	16
00820209	10, 22, 48, 54	60023668	16
00820217	10, 18, 36, 52	60026358	18
00820225	26, 52	60026361	18
00820282	52	60026363	18
00820290	8	60026421	16
00820308	12, 52	60026439	16
00820340	54	60027290	30
00820357	54	60027829	24
00820373	28	60035666	46
00820415	28	60043805	26
00821264	50	60044213	48
00821272	10, 22, 36, 48, 50	60044895	46
00821280	30, 48, 50, 52	60044897	46
00821306	10, 50	60044898	48
00821348	22, 36	60044924	48
00821462	30	60044940	48
00821504	22	60044947	46
00821744	18	60044957	4
00821827	34	60044960	48
00840454	18	60044966	46
00841247	18	60044967	46
00844696	18	60044972	44
00844738	18	60044973	44
00844753	18	60044977	48
00844761	18	60044978	44
00844787	18	60044981	44
00844803	18	60044982	46
00844837	18	60044983	44, 46
00845610	16	60044984	46
00845891	16	60044989	4
00846907	18	60044997	50
		60046105	50

60046106	50
60046107	30
60046150	8
60046151	52
60046153	56
60046154	16
60046164	52
60046165	56
60046193	16
60046483	4
60046687	44
60046688	4
60046715	44
60046717	44, 46
60046721	46
60046722	46
60046925	18
60047277	48
60047653	50