
Infratec™ Sofia Spare Parts Manual

6002 7165 / Rev. 9



Information may be changed or updated without notice. The latest version is found at www.foss.dk.

Rev.	Date of Issue	Revised Material
1	2008-10-21	First issue.
2	2009-03-31	New spare parts, minor textchanges.
3	2010-10-20	Jobin Yvon spectrometer replaced by Ibsen spectrometer.
4	2014-04-24	Spare parts optimization.
5	2015-10-20	FOSS address updated.
6	2018-07-17	Part Number updated.
7	2021-11-29	Part Number updated.
8	2022-02-21	Part Number in Section 4 Updated.
9	2022-03-17	Part Number in Section 2 Updated.

NOTE: Please note that all information is liable to change without prior notice.

Table of Contents

1	General.....	1
2	Main Module	2
3	Lamp Module.....	4
4	GUI Module	6

1 General

This document contains Spare Parts for Infratec™ Sofia.



Warning

Please read Safety Precautions in the Service Manual prior to maintenance or exchange of spare parts.

The system may only be repaired by FOSS personnel or by other personnel approved by FOSS.

2 Main Module

Pos.	Part No.	Description	Note
1	60026266	Sample Handling Wheel Cpl.	
2	60026267	Cabinet Sealing	
3	60024053	SD Print Sealing	
4	60026256	Inductive Sensor	
5	60023750	Cable DC with Interface	
6	60028231	Cable EID	Not illustrated
7	60023751	Cable RJ 45	
8	60028599	Cable SD Card	Not illustrated
9	60026270	Cable Picoflex in Pairs	
10	60038528	Spectrometer Cpl. Type B -SP	
11	60026262	SD Memory Module	
12	60101926	RACM Cpl. Type A -SP ¹⁾	
12	60038530	RACM Cpl. Type B -SP ²⁾	
13	60026264	Lamp & SHM PCB	
14	60026265	SHW Motor Cpl.	
15	60026257	Drawer Cpl.	
16	60026255	Rubberfeet Cpl.	
17	60026269	O-ring Kit	
18	60029773	Sample Handling Wheel Fittings	Not illustrated
19	60023439	Reference Cell Cpl.	Not illustrated
20	60023440	BG-20 Filter Cell Cpl.	Not illustrated
21	60026258	Field Standardization Kit, Teflon	Not illustrated
22	60036002	Upgrade Kit Infratec Sofia (Spectrometer replacement kit from Jobin Yvon to Ibsen)	Not illustrated
23	60036436	iBond LoST Cable ²⁾	Not illustrated
24	60037835	Ground Cable 470 kOhm ²⁾	Not illustrated
25	00584698	PCB Assy Chassis ID	Not illustrated
26	15610614	Power Cable 115V	Not illustrated
27	60023617	Thumb screw	
28	60030451	Power Cable 12V	Not illustrated
29	60031108	Power Supply SP	Not illustrated

¹⁾ For Jobin Yvon Spectrometer.

Need to use ISW 8.0.8 or higher, see TN 2382 for more information

²⁾ For Ibsen Spectrometer

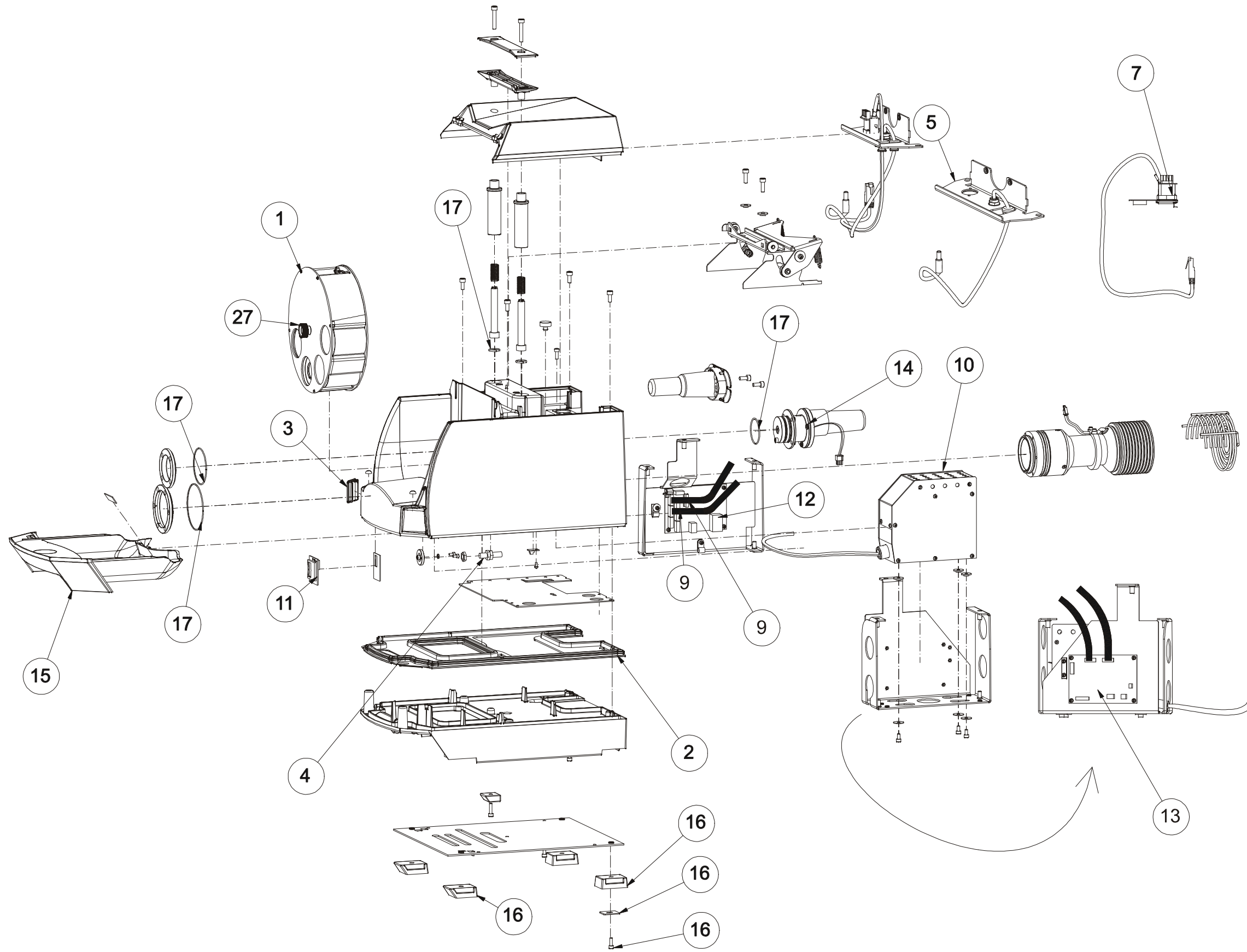


Fig. 1

60027165003C

3 Lamp Module

Pos.	Part No.	Description	Note
22	60026252	Lamp Kit	
23	60026253	Glass Filter Kit	
24	60026254	Lamp Module Cpl.	

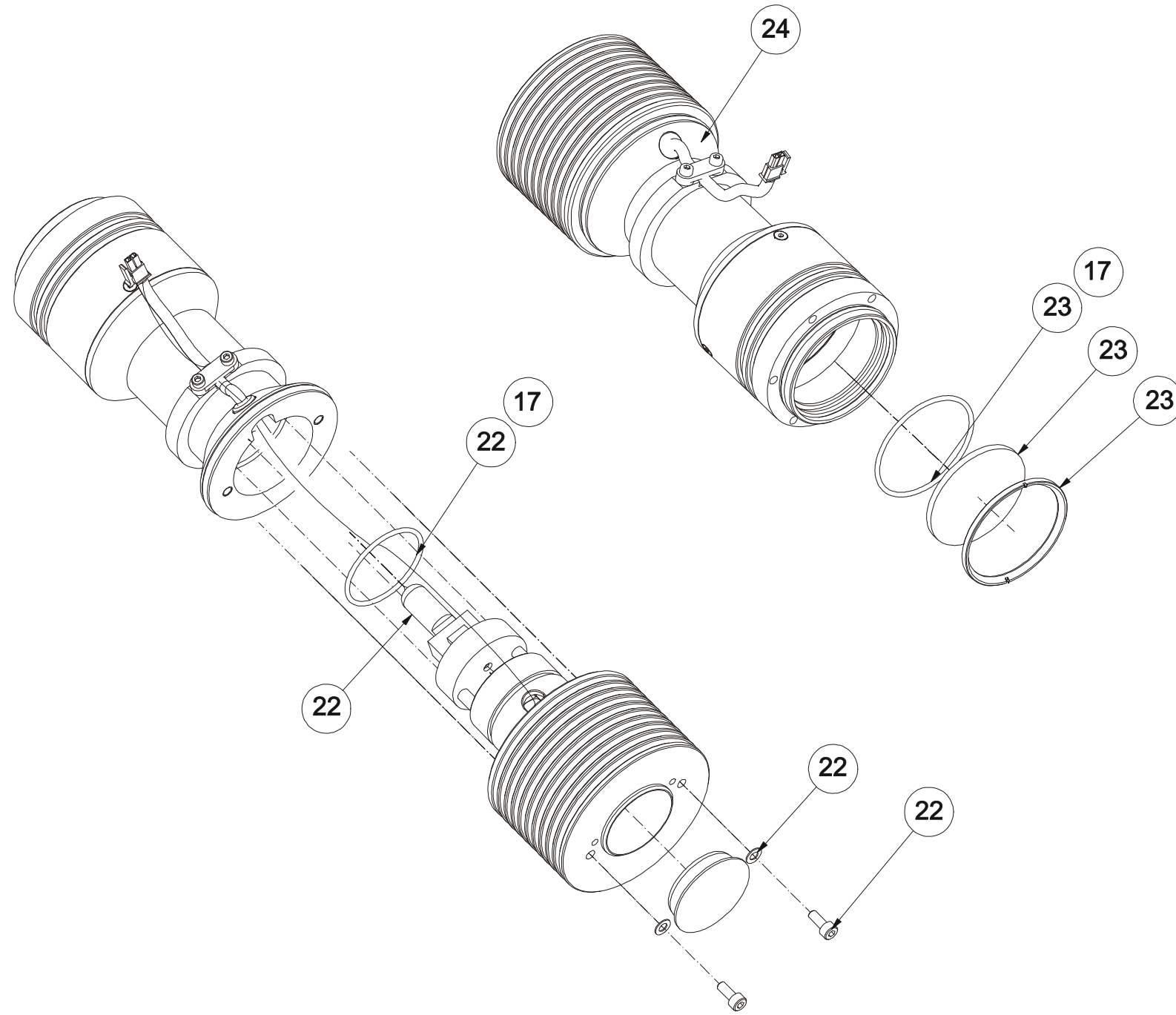


Fig. 2

60027165002

4 GUI Module

Pos.	Part No.	Description	Note
25	60100883	FOSS Mod.Kit, display IT Sofia ¹⁾	
25	60100885	IT Sofia Display Cpl.- SP ²⁾	
26	60035999	GUI PCB	
27	60026260	Keypad	

¹⁾ If serial number is below 91891876, see TN 2388.

²⁾ If serial number is above 91891876, see TN 2388.

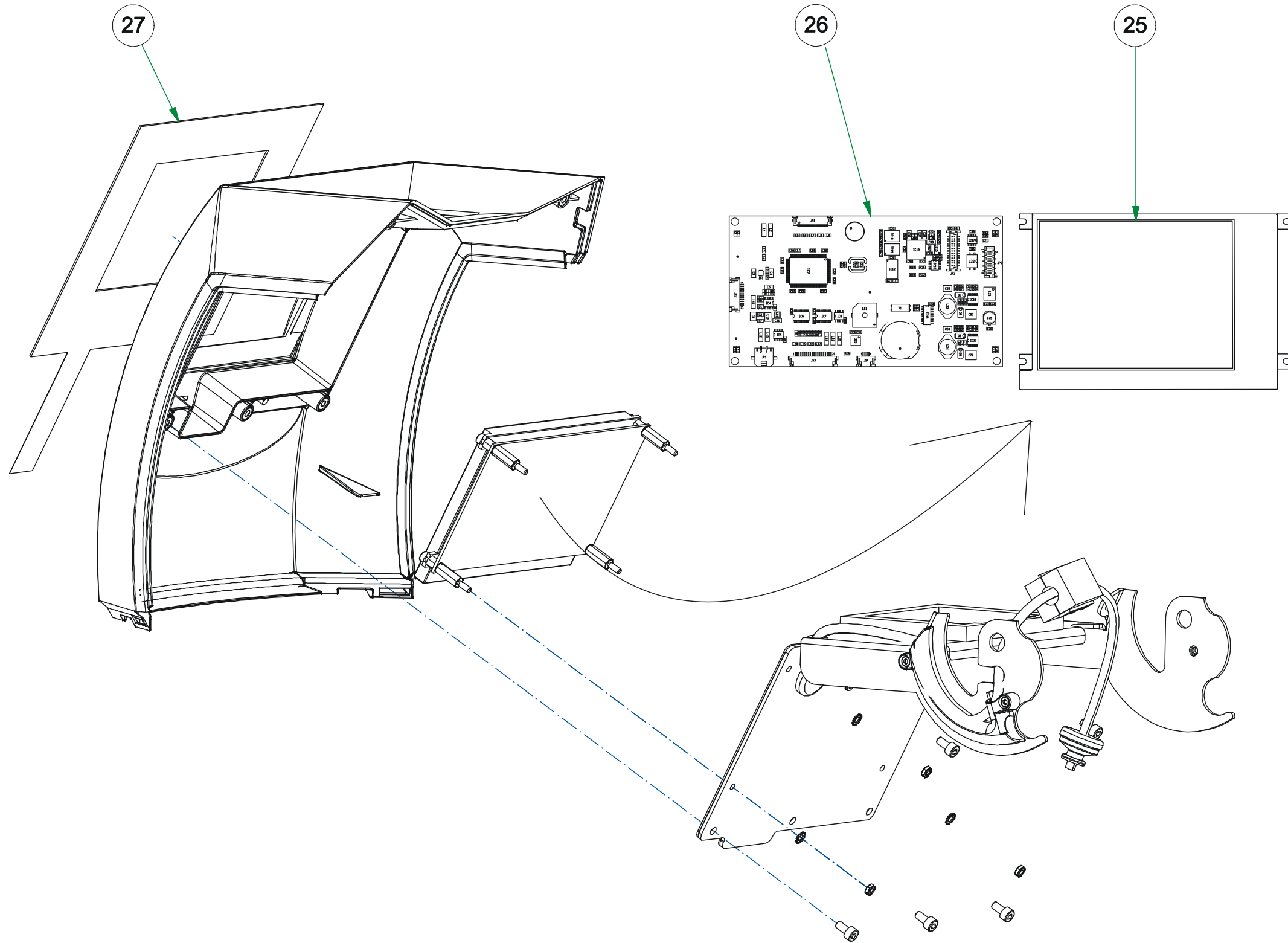


Fig. 3

60027165001B

