
Infratec™ 1241 Grain Analyzer

VALID FROM S/N 12414500 & S/N 91700001

Spare Parts Manual

6002 4902 / Rev. 12



Information may be changed or updated without notice. The latest version is found at www.foss.dk.

Rev.	Date of Issue	Revised Material
1	2007-08-20	First issue.
2	2008-12-10	Spare parts updated.
3	2010-09-16	New Infratec 1241 introduced, valid from Serial No 91700001 .
4	2010-10-22	Spare parts updated, STM added.
5	2012-03-20	Spare parts updated.
6	2012-12-21	Spare parts updated.
7	2014-02-07	Spare parts optimization.
8	2015-02-27	Minor updates of spare parts and facelift of layout.
9	2017-02-13	Sample Transport Module updated.
10	2017-09-12	Minor update of section 4 (from serial No. 91700001) and 7 (TWM).
11	2019-01-21	Minor update of some spare parts.
12	2021-05-02	One Spare Part deleted

Table of Contents

1	General.....	1
2	Infratec™ 1241 Grain Analyzer	2
3	Infratec™ 1241 Grain Analyzer	4
4	Infratec™ 1241 Grain Analyzer	6
5	Measuring Unit (Gen. II)	8
6	Measuring Unit (Gen. II)	10
7	Test Weight Module	12
8	Sample Transport Module	14
9	Special Tools	17
10	Index	18

1 General

This document contains Spare Parts for Infratec™ 1241 Grain Analyzer.



Warning

Please read Safety Precautions in the Service Manual prior to maintenance or exchange of spare parts.

The system may only be repaired by FOSS personnel or by other personnel approved by FOSS.

Note

Screws, nuts and washers are shown but not designated in this manual.

2 Infratec™ 1241 Grain Analyzer

Valid from serial No. 12414500

Drawing No: IT014c

Pos.	Part No.	Description	Note
1	10013351	Lamp Holder	
2	60043564	Halogen Lamp	
6	60023743	Interface Complete	
7	60023744	Display Kit	
8	10008601	Monochromator Complete	
9	18108601	Monochromator Complete Exchange	
10	10009199	Ribbon Cable to Monochromator	
11	10014765	Keyboard Overlay	
12	60023745	USB Cover Kit	
13	10014918	USB Cable (Interface front side)	
14	60023758	DSP Board	
15	60023746	PC Module Complete w/o Flash Disc	
16	60024423	Compact Flash Disc ISW5.x Basic ¹	
17	60043935	E-ID	
18	60024424	Infratec version Restore Key ²	*
70	60044144	USB Cover	
73	60044145	Cable Drawer	
-	10009199	Ribbon Cable to Monochromator	*
-	10014918	USB Cable (Interface front side)	*
-	10011963	Detector Cable	*
-	60044146	Cable, Power On Indicator	*
-	586230	Temperature Sensor Complete for Hood	*
-	60042504	Magnetic Drawer Sensor, extended	*
-	60024424	Infratec version Restore Key ³	*

* Not illustrated

1. See p/n 60024424 below for upgrade to relevant Infratec version

2. Serial No. of instrument and email address required for ordering

3. Serial No. of instrument and email address required for ordering

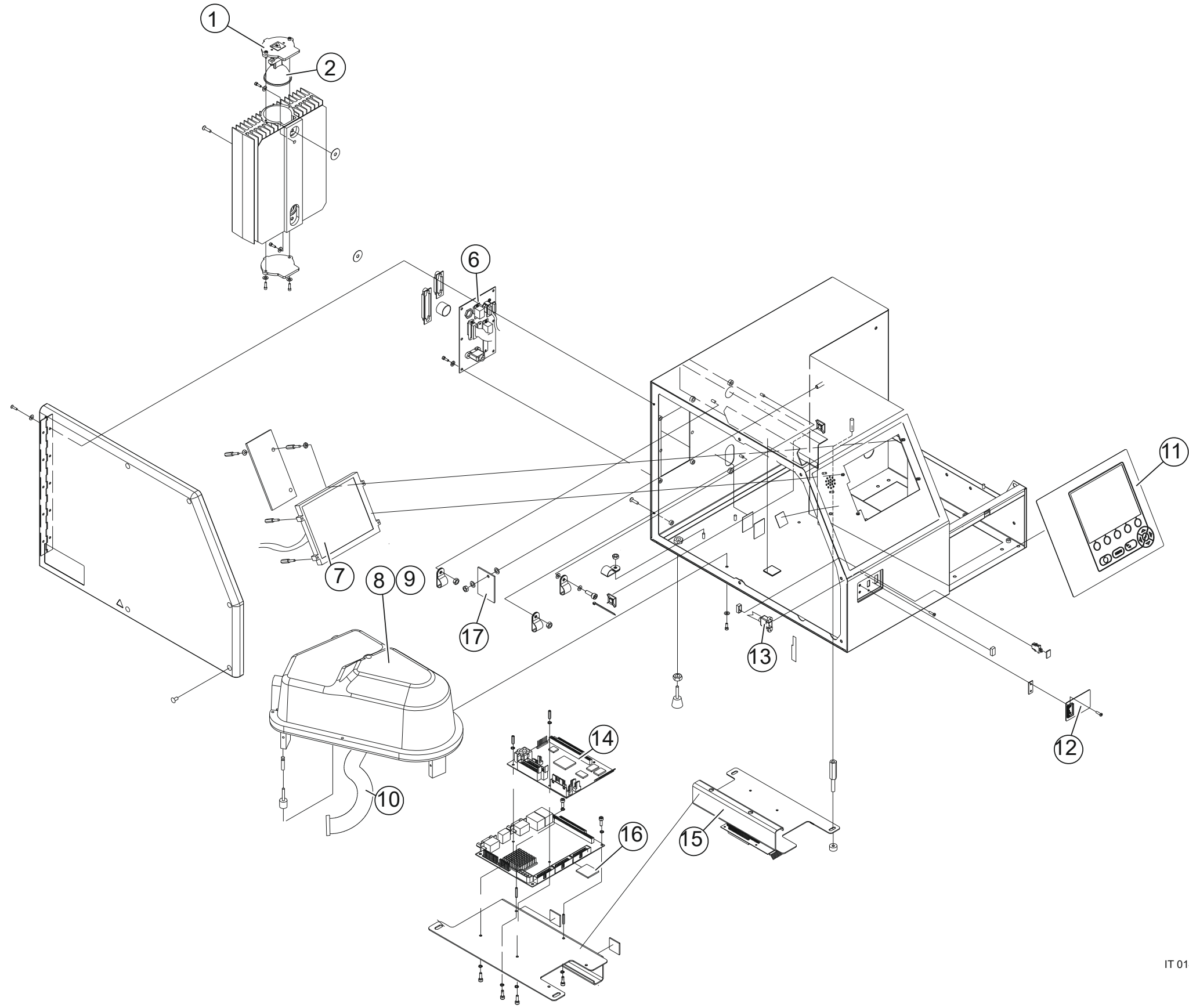


Fig. 1

IT 014c

3 Infratec™ 1241 Grain Analyzer

Valid from serial No. 12414500

Drawing No: IT015a

Pos.	Part No.	Description	Note
3	10012891	Power Supply Gen. II Complete	
4	10012810	Power Supply Board Gen. II	
5	10011952	Measuring Unit Complete Gen. II	See p. 10
6	10005913	Pneumatic Spring Complete	
7	10015079	Hopper Section Complete	
8	10010345	Temperature Sensor Complete for Hood	
9	10009369	Magnetic Drawer Sensor, extended	
10	10011963	Detector Cable	
11	10009777	Detector Unit Complete	
12	10014913	Drawer Complete	
13	60022647	Keyboard	
14	60022648	USB Memory	
15	0005807	Fuse Kit, T2,5A and T5A, (5 pcs of each) *	

* Not illustrated

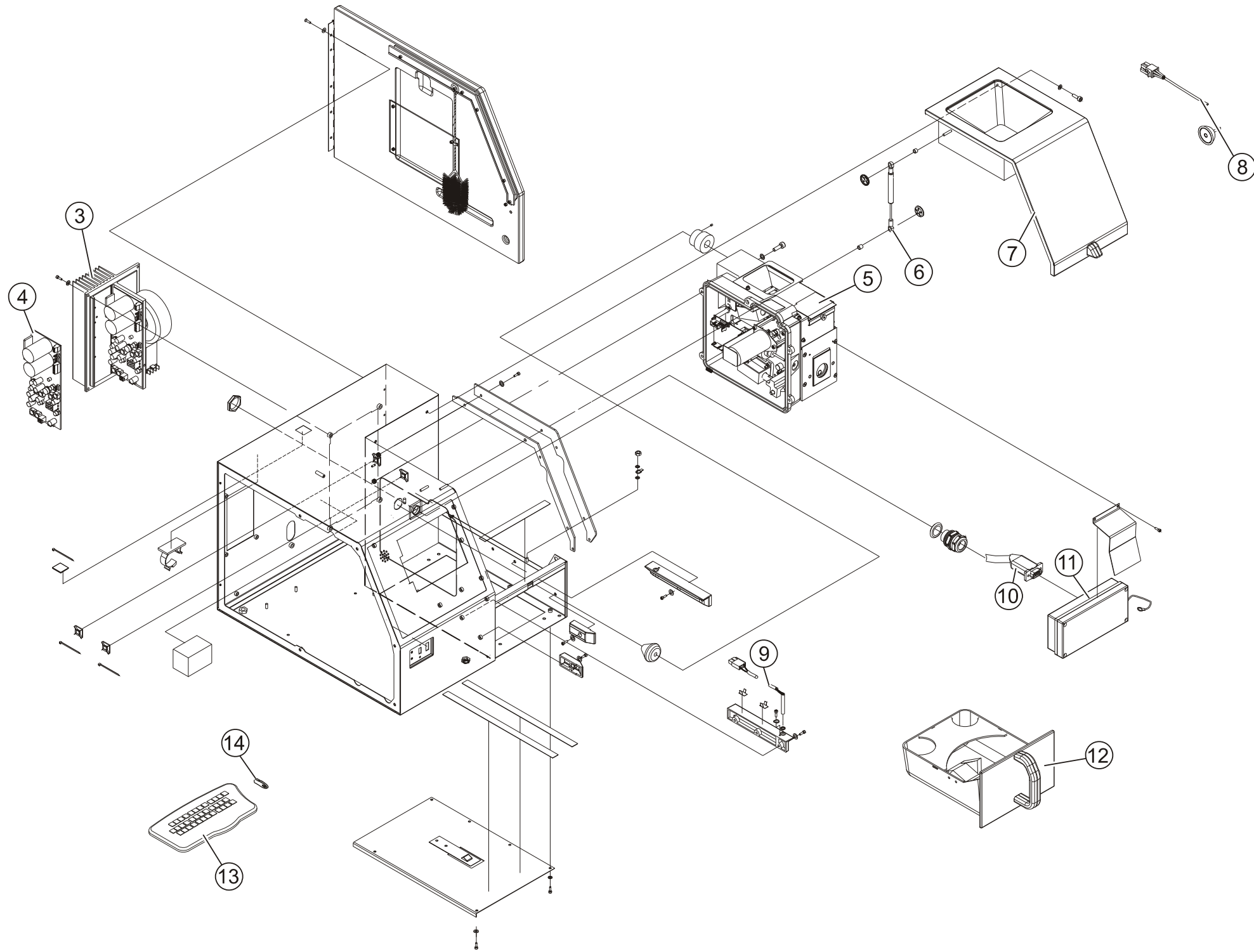


Fig. 2

IT 015a

4 Infratec™ 1241 Grain Analyzer

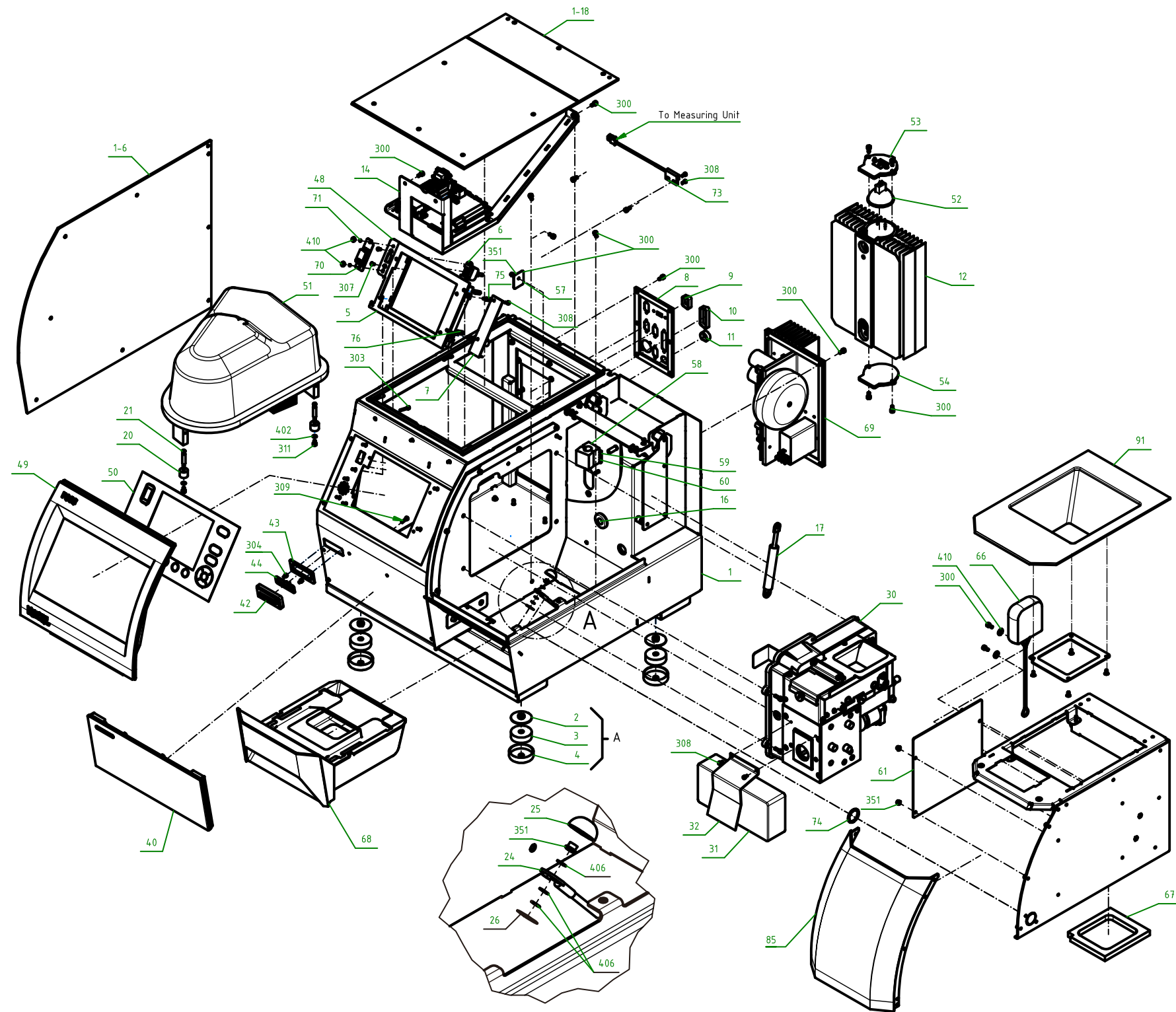
Valid from serial No. 91700001

Drawing No: 60037000

Page: 500

Pos.	Part No.	Description	Note
1-6	60088422	Side Plate Left	
1-18	60088425	Top Plate	
5	60023744	Display Kit	
8	60023743	Interface Complete	
14	60082561	PC Module Complete w/o Flash Disc	
14	60023758	DSP Board	
14	10014974	Processor Board w/o Flash Disc	
	60024423	Compact Flash Disc ISW5.x Basic ¹	
17	60056240	Gas Damper	
20	15440017	Vibration Damper	
21	10009195	Threaded Stay	
24	10010345	PCB Temperature Sensor	
30	10011952	Measuring Unit Complete Gen. II	See p. 10
31	10009777	Detector Unit Complete	
42	60044140	Indicator Diffuser Window	
44	60044141	PCB Led Indicator	
49	60088415	Frame GUI	
50	60044142	Overlay NIT	
51	10008601	Monochromator Complete	
-	18108601	Monochromator Complete Exchange	
52	60043564	Halogen Lamp	
53	10013351	Lamp Holder	
57	60043935	E-ID	
67	60045513	Funnel Gasket	
68	60044143	Drawer Assembly	
69	10012891	Power Supply Gen. II Complete	
69	10012810	Power Supply Board Gen. II	
85	60088541	Front Cover	
91	60088369	Funnel NIT	

1. See p/n 60024424 below for upgrade to relevant Infratec version



500

Fig. 3

5 Measuring Unit (Gen. II)

Valid from Serial No 12411694

Drawing No: 1241095f

Pos.	Part No.	Description	Note
1	10011703	Upper Solenoid	
2	10011704	Bearing	
3	10013205	Upper Linkage Shutter Assembly	
4	10011830	Connection PCB Complete	
5	10011829	Measuring Unit PCB	
6	10011702	Variable Motor	
7	10011701	Conveyor Motor	
8	10011735	Lower Solenoid	
9	10013206	Lower Linkage Shutter Assembly	
10	10011334	Upper Shutter	
11	10011335	Lower Shutter	
12	60049356	Rubber Gasket	

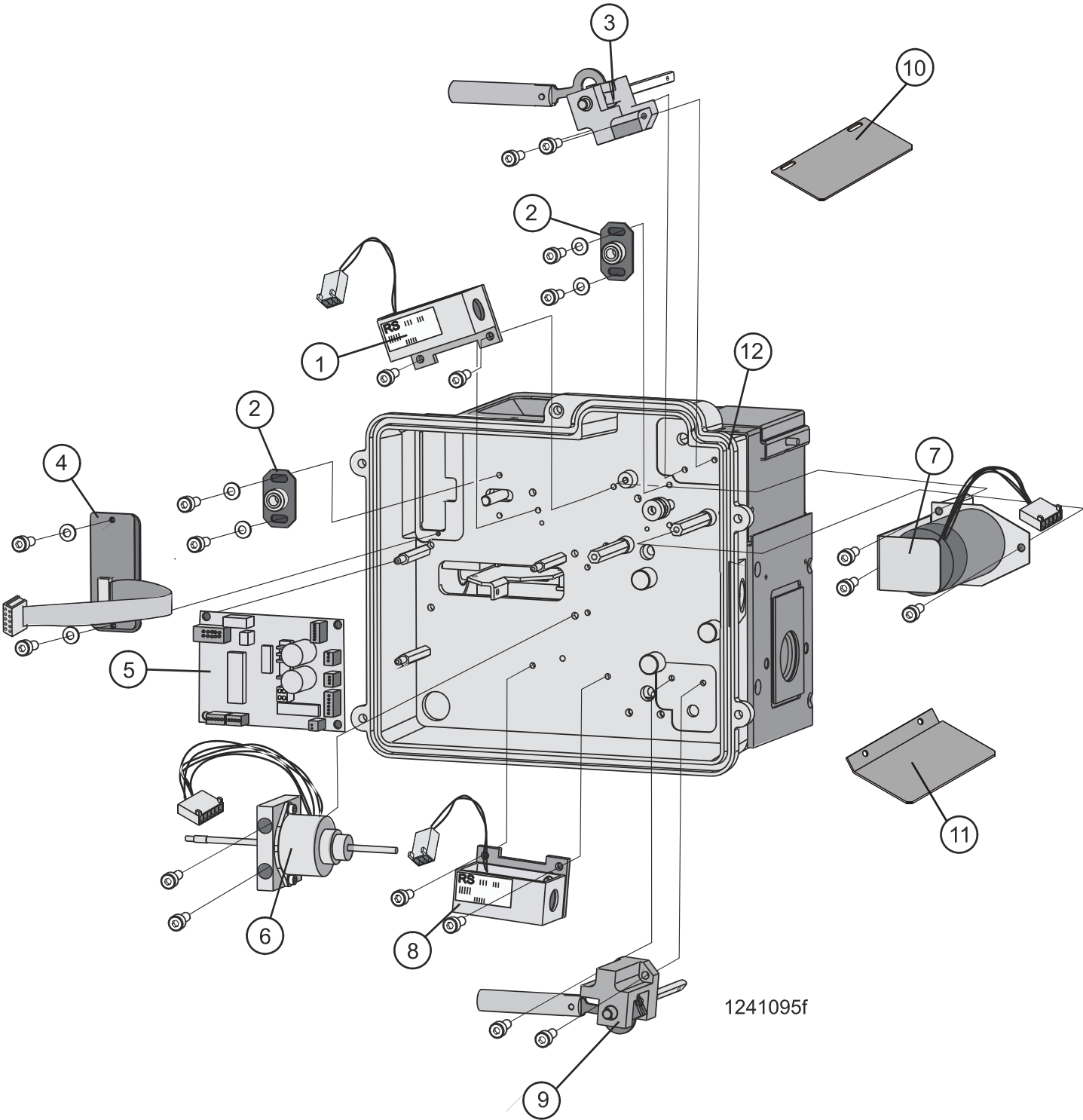


Fig. 3

6 Measuring Unit (Gen. II)

Valid from Serial No 12411694

Drawing No. 1241096i

Pos.	Part No.	Description	Note
1	10011699	Cell Wall Front with Speckle Emitter PCB	
2	10011670	Cell Block Complete	
3	10011669	Path Length Encoder	
4	10011736	Cell Cover Outer	
5	10010835	Gasket for Lid	

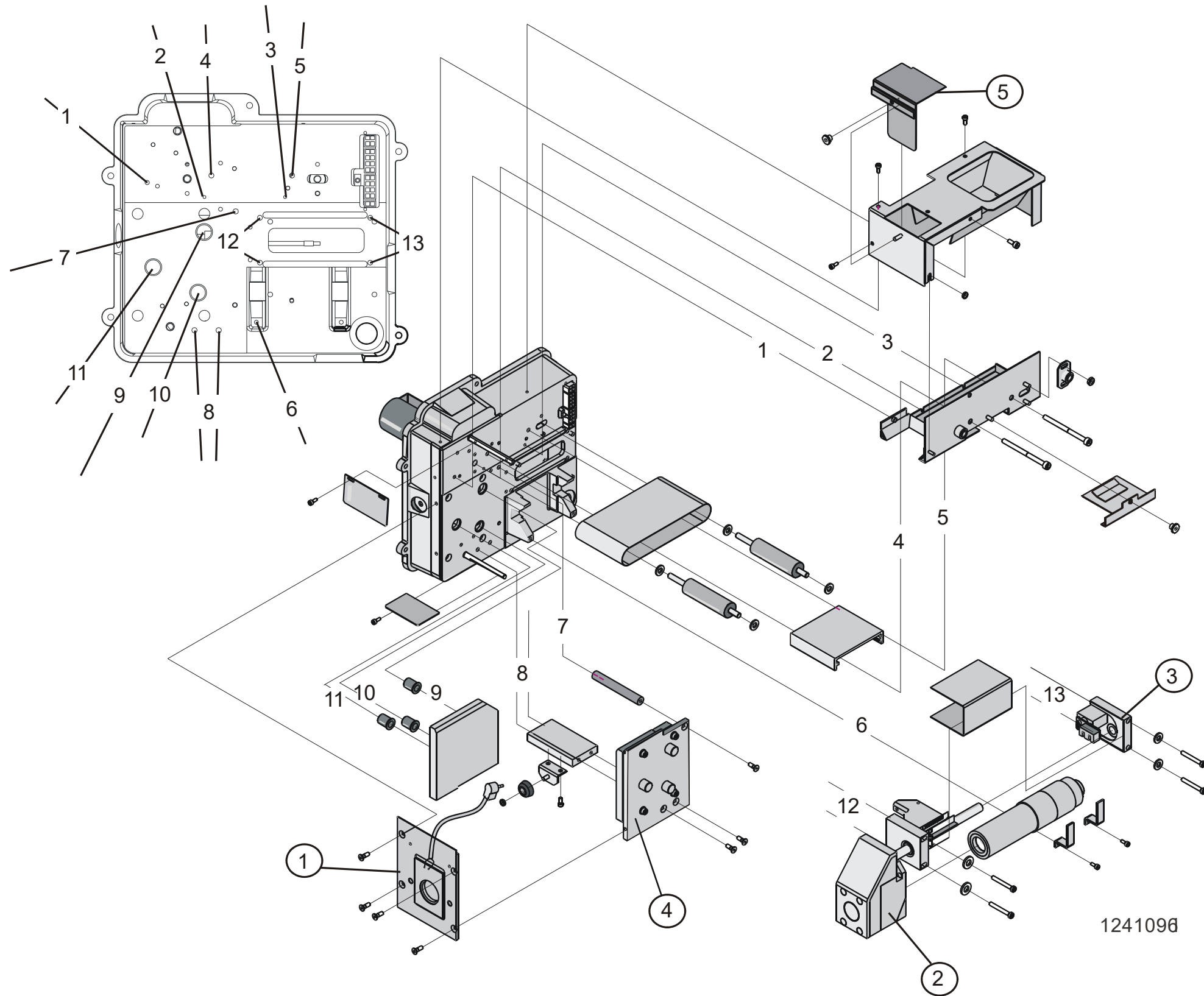


Fig. 4

7 Test Weight Module

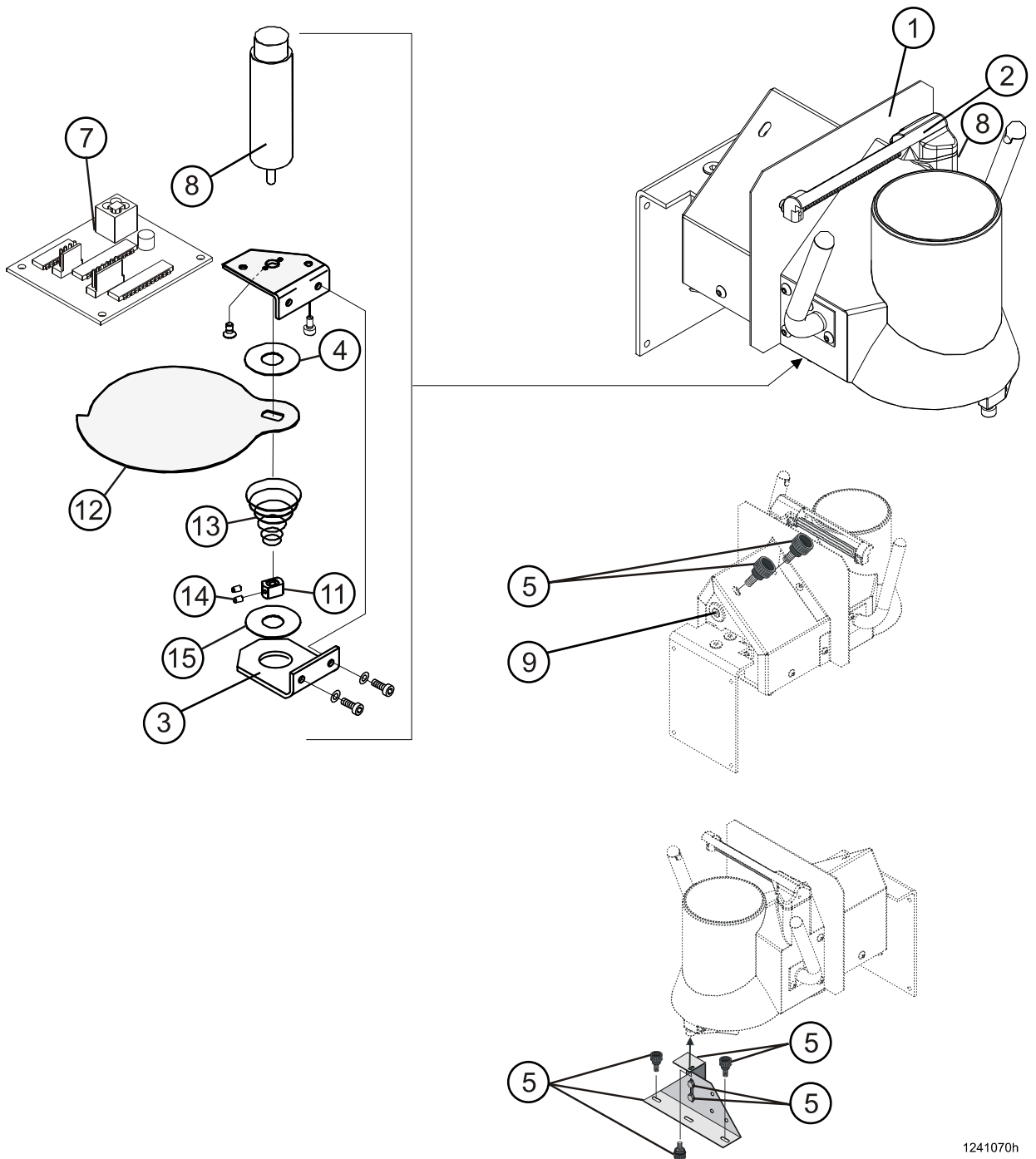
Drawing No. 1241070h

Pos.	Part No.	Description	Note
1	10010900	Test Weight Balance Complete	
2	60024272	Wiper Arm Complete	Incl. Spring
3	10010687	Pressure Plate	
4	10010004	Teflon Washer	5 pcs.
5	10010007	Transport Security Device Complete	
6	10011744	Shutter Replacement Kit	See below
7	10012790	TWM PCB	
8	10014446	Wiper/Shutter Motor	
9	60082634	Load Cell	

Shutter Replacement Kit: 10011744

Pos.	Description	Note
4	Teflon Washer	2 pcs.
11	Shutter Shaft	
12	Bottom Shutter	
13	Conical Spring	
14	Stop Screw	
15	Nylon Washer	
-	Service Instruction	*

* Not illustrated



1241070h

Fig. 5

8 Sample Transport Module

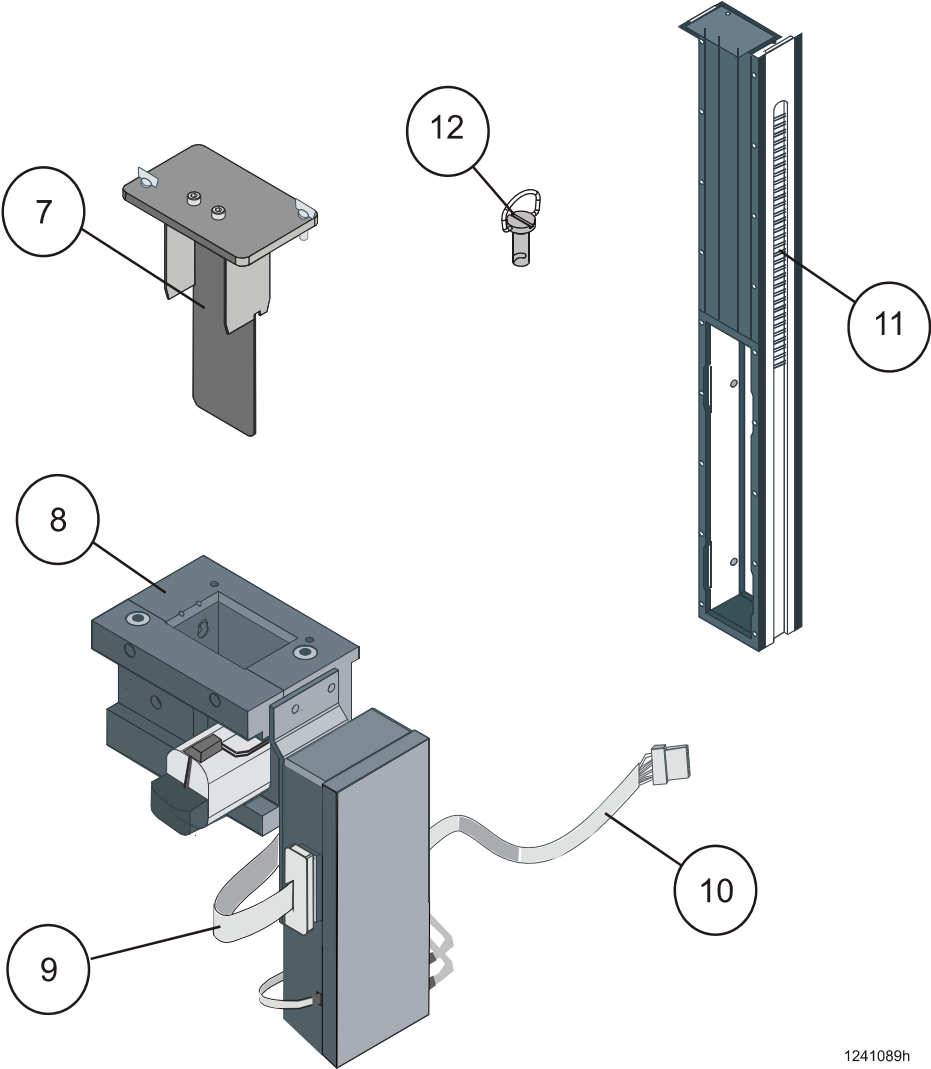
Drawing No. 1241089h

Pos.	Part No.	Description	Note
6	10009899	STM Motor	Not in drawing
7	10011424	Cover Plate	
8	10010317	Elevator Unit	
9	10011072	Sensor Cable	
10	10011073	Interface Cable	
11	10010150	Cam Thread	
12	10012589	Cuvette Lock	4 pcs.
13	10011965	Cuvette GlassKit	See below

Cuvette Glass Kit: 10011965 *

Pos.	Description	Note
1	Cuvette Glass	5 pcs.
2	Adhesive Tape	5 pcs.
3	Service Instruction	

* Not illustrated.



1241089h

Fig. 6

9 Special Tools

Part No. Description

15910019	Allen Key 2x225 mm ¹
10010661	Go no Go gauge tool
10011779	Test Weight Control Kit
60023294	Level Sensor Centring Tool TWM

1. For Monochromator feet

10 Index

Part No.	Page		
		10015079	4
0005807	4	15440017	6
10005913	4	15910019	17
10008601	2, 6	18108601	2, 6
10009195	6	586230	2
10009199	2	60022647	4
10009369	4	60022648	4
10009777	4, 6	60023294	17
10009899	14	60023743	2, 6
10010004	12	60023744	2, 6
10010007	12	60023745	2
10010150	14	60023746	2
10010317	14	60023758	2, 6
10010345	4, 6	60024272	12
10010661	17	60024423	2, 6
10010687	12	60024424	2
10010835	10	60042504	2
10010900	12	60043564	2, 6
10011072	14	60043935	2, 6
10011073	14	60044140	6
10011334	8	60044141	6
10011335	8	60044142	6
10011424	14	60044143	6
10011669	10	60044144	2
10011670	10	60044145	2
10011699	10	60044146	2
10011701	8	60045512	6
10011702	8	60045513	6
10011703	8	60049356	8
10011704	8	60056240	6
10011735	8	60082561	6
10011736	10	60082634	12
10011744	12	60088369	6
10011779	17	60088415	6
10011829	8	60088422	6
10011830	8	60088425	6
10011952	4, 6	60088541	6
10011963	2, 4		
10011965	14		
10012589	14		
10012790	12		
10012810	4, 6		
10012891	4, 6		
10013205	8		
10013206	8		
10013351	2, 6		
10014446	12		
10014765	2		
10014913	4		
10014918	2		
10014974	6		