
FoodScan™ Pro / Lab Spare Parts Manual

1025372 / Rev. 8



Information may be changed or updated without notice. The latest version is found at www.foss.dk.

Rev.	Date of Issue	Revised Material
4	2008-10-03	Update
5	2010-08-26	Update
6	2014-02-25	Spare parts optimization. New layout
7	2015-10-23	FOSS address updated
8	2019-04-16	Update P/N

NOTE: Please note that all information is liable to change without prior notice.

Table of Contents

1	General.....	1
2	Overview FoodScan Pro.....	2
3	Overview FoodScan Lab	4
4	Front Door	6
5	Back Box.....	8
6	Bottom Box (Pro).....	10
7	Bottom Box (Lab)	12
8	Basic Unit	14
9	Basic Unit	16
10	Basic Unit	18
11	Accessories for FoodScan Pro	20
12	Accessories for FoodScan Lab	22

1 General

This document contains Spare Parts for FoodScan™ Pro / Lab.



Warning

Please read Safety Precautions in the Service Manual prior to maintenance or exchange of spare parts.

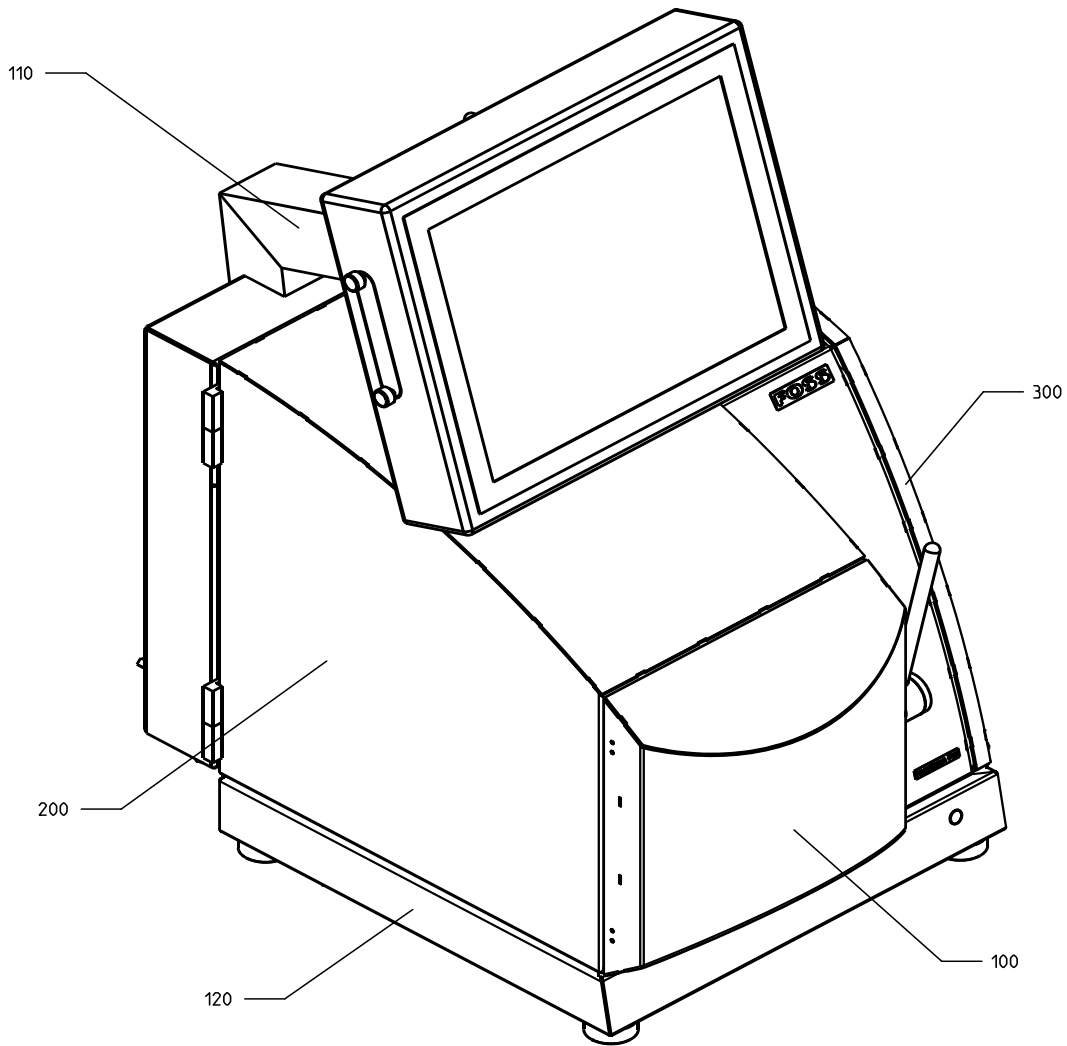
The system may only be repaired by FOSS personnel or by other personnel approved by FOSS.

2 Overview FoodScan Pro

Pos.	Description	Note
100-1	Front Door	
110-1	Back Box	
120-1	Bottom Box (Pro)	
200-1	Basic Unit	
200-2	Basic Unit	
200-3	Basic Unit	
300-1	Accessories for FoodScan Pro	

Assembly Identification

Spare Parts
FoodScan Pro



01030410-IS1 1.2+ Dokument:

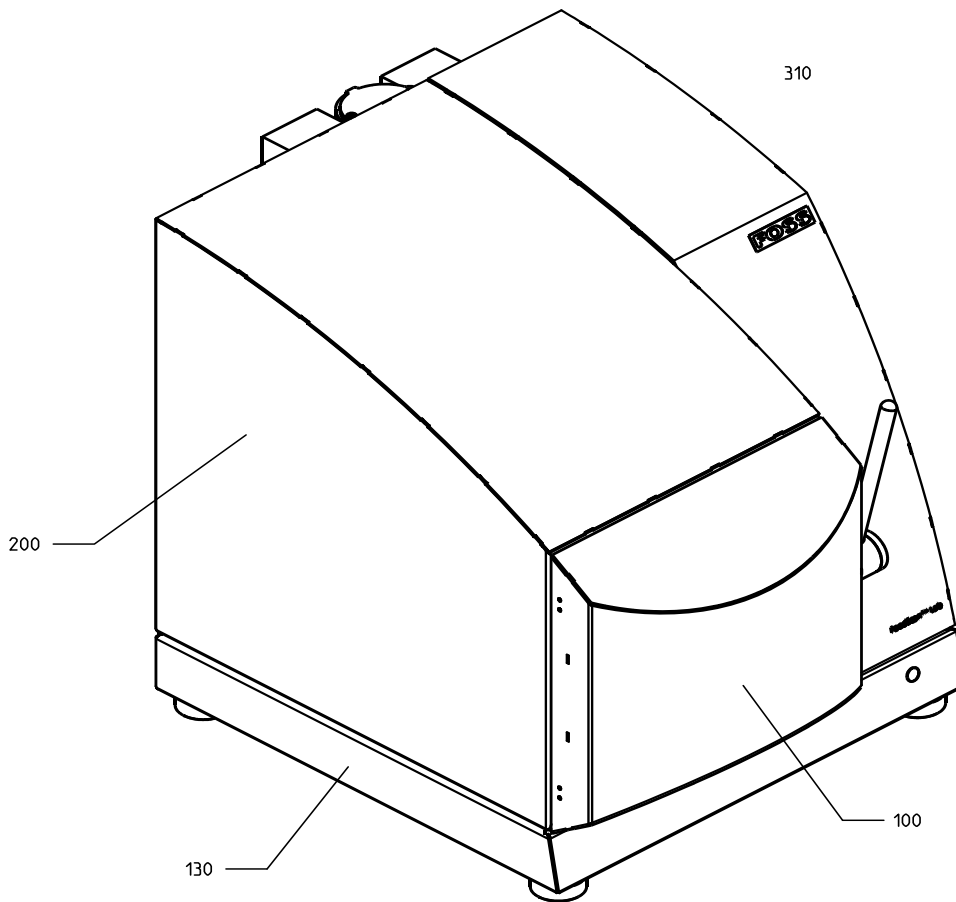
Fig. 1

3 Overview FoodScan Lab

Pos.	Description	Note
100-1	Front Door	
130-1	Bottom Box (Lab)	
200-1	Basic Unit	
200-2	Basic Unit	
200-3	Basic Unit	
310-1	Accessories for FoodScan Lab	

Assembly Identification

Spare Parts
FoodScan Lab



01030420_IS1 1.2+ Dokument:

Fig. 2

4 Front Door

Assembly No.: 1030101**Page: 100-1**

Pos.	Part No.	Description	Note
	60063087	Handle cpl	Pos. 8-18
1	01030177	Front door	
2	01030144	Door Insert	
3	01030150	Frame w gasket, Front door	
25	60000035	Disc for front lid	
26	60000034	Pin for front lid	
27	00362848	Retaining ring - Ø 2,3	

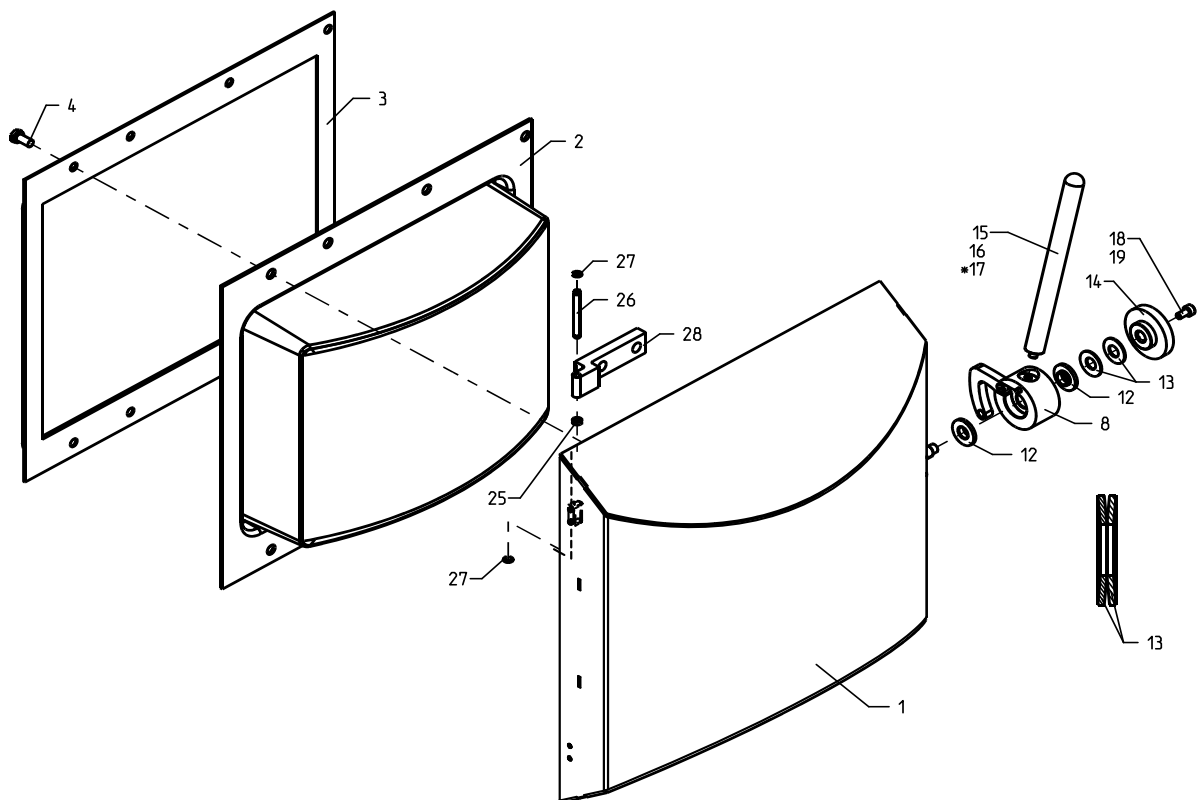
Front Door

Assembly no. 01030101

Spare Parts

FoodScan Pro

FoodScan Lab



* Use Activator P/N 00366112 before glueing with Loctite P/N 00366104

Fig. 3

5 Back Box

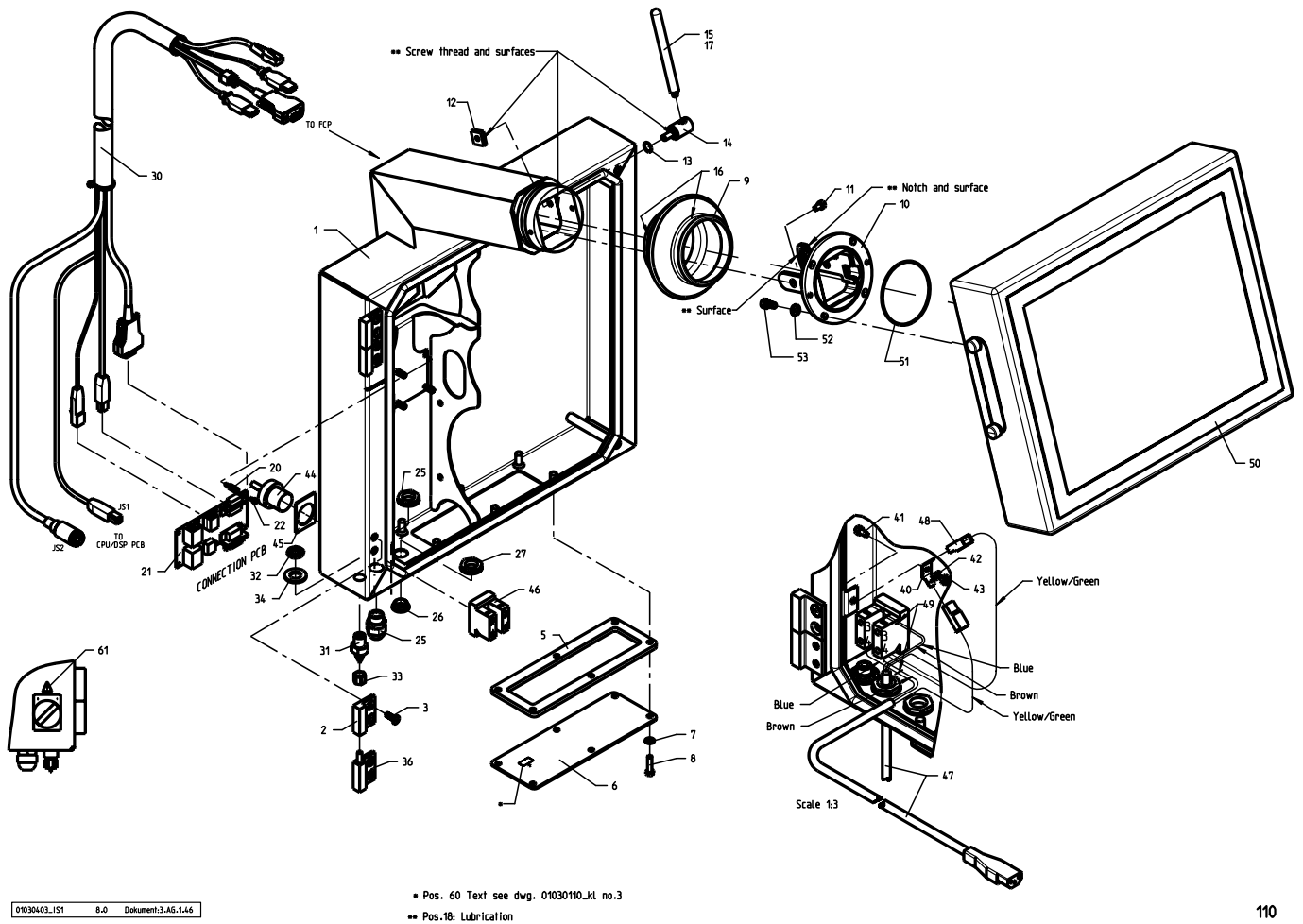
Assembly No.: 1030403**Page: 110-1**

Pos.	Part No.	Description	Note
5	01030113	Gasket for bottom plate	
6	01030114	Bottom plate, rearbox	
9	01030132	Bellows V6-0246	
10	60026898	Turning point, Rear Box, welded	
10 ¹⁾	01030197	Turning point, rear box, welded	For old 12"FCP before 2008
21	00589838	Connection PCB	
30	60029270	Cable FCP 15 FoodScan p/d 78810	
30 ¹⁾	01030880	Cable for FCP	For old 12" FCP - before 2008
31	00555219	Union P/d 73710	
33	00335380	Union	
50	60056518	FOSS Control Panel	
50-1	60042962	FCP USB Cover Plate	
50-2	60090607	USB Adapter pcb	

¹⁾ Not illustrated

Back Box

Spare Parts
FoodScan Pro



01030403_1S1 8.0 Dokument:3_AG.1.4.6

Fig. 4

6 Bottom Box (Pro)

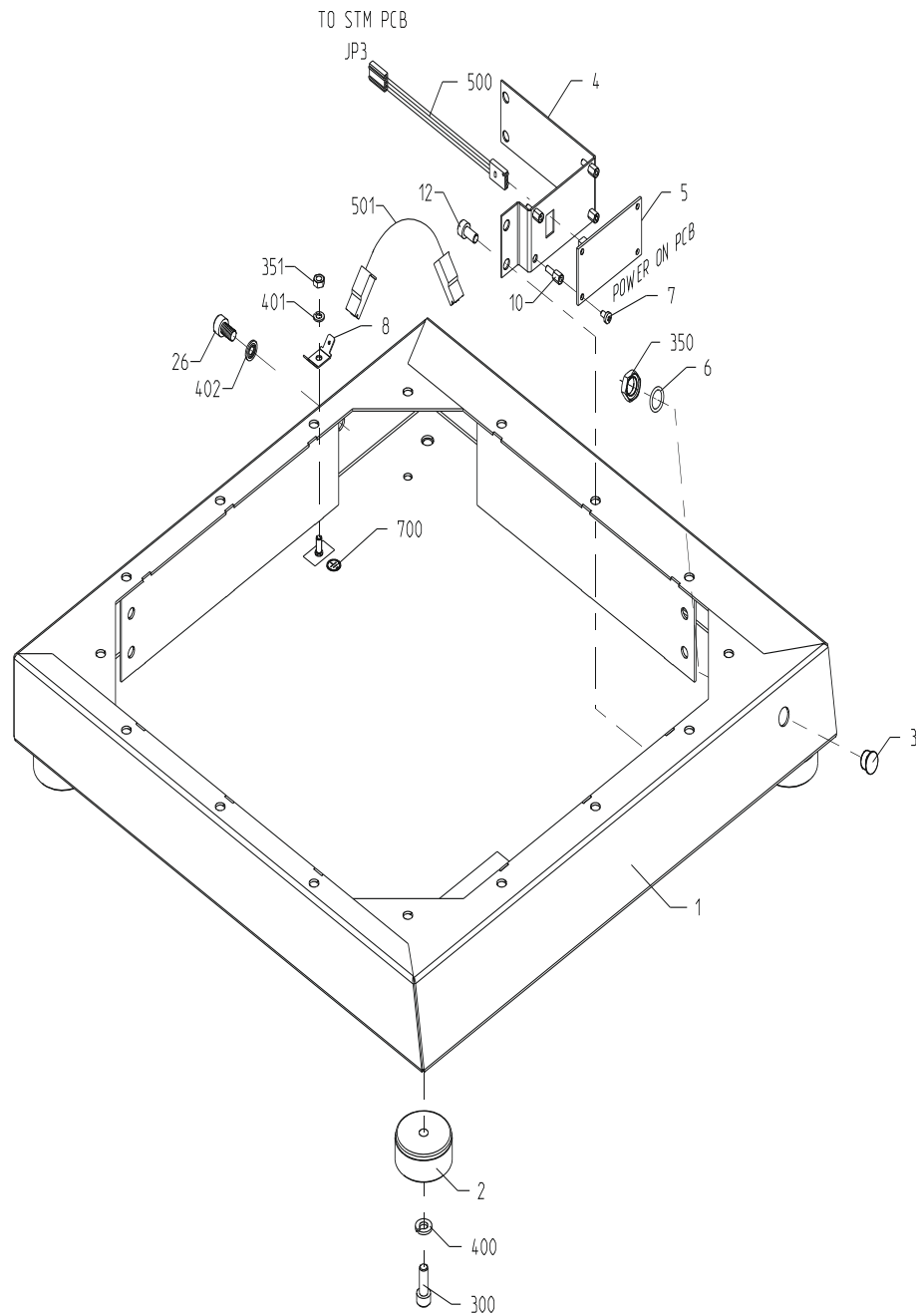
*Assembly No.: 1030102**Page: 120-1*

Pos.	Part No.	Description	Note
2	01030129	Foot	
3	00054262	O-ring ø010.10/ø1.60 N	
4	60000051	Diode window	
6	00589879	Power-on PCB	
500	01030412	Cable STM/Power on P/d 78810	

7 Bottom Box (Lab)

Assembly No.: 1030413**Page: 130-1**

Pos.	Part No.	Description	Note
2	01030129	Foot	
3	60000051	Diode window	
5	00589879	Power-on PCB	
6	00054262	O-ring ø010.10/ø1.60 N	
500	01030412	Cable STM/Power on P/d 78810	



01030413 Doc. no. 20000021170 Doc. Ver. 04 Doc. Type 95

Fig. 6

8 Basic Unit

Assembly No.: 1030110**Page: 200-1**

Pos.	Part No.	Description	Note
5	10010179	Detector	
10	01030167	Cable detector/STM	
11	60000039	Gasket, Detector, basic	
21	60040025	Shaft assembly	Pos 20,21, 40, 50, 56
23	01030122	Gasket, Axle	
30	00329458	Damper	
60	01030133	Drive Belt	
61	01030134	Drive Belt	
70	00589853	Sensor PCB	
174	60000040	Roller for front lid	
180	01030405	Sample arm cpl.	
180-4	60000097	Pin	
182	60000042	Gear wheel	
M1	01030404	Stepmotor cpl.	
M2	01030404	Stepmotor cpl	

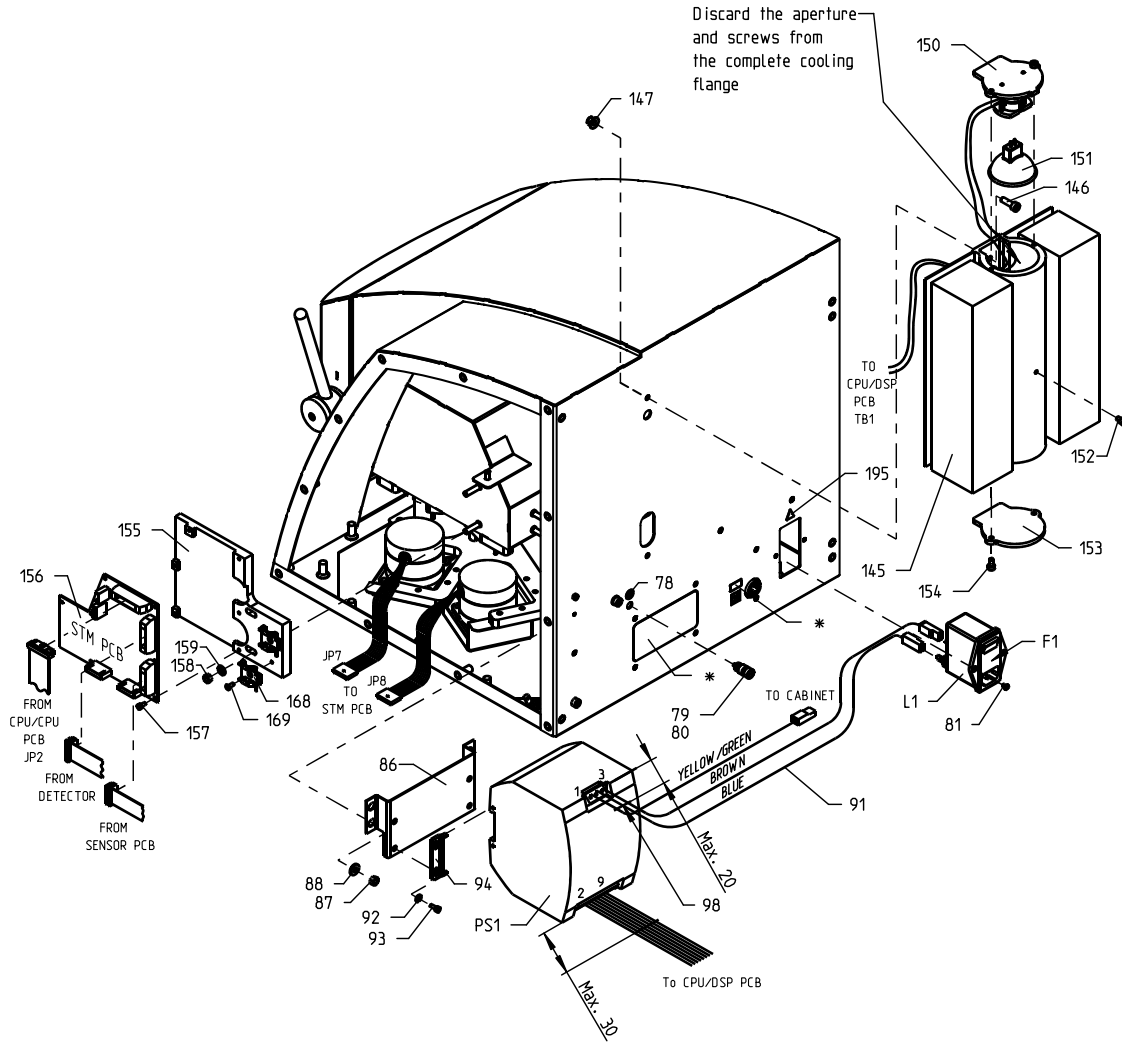
9 Basic Unit

Assembly No.: 1030110**Page: 200-2**

Pos.	Part No.	Description	Note
91	01030186	Cable PSU/main socket	
150	10013351	Lamp holder complete	
151	60043564	Lamp	
156	00589796	Sample transport PCB	
L1	01011159	Main socket	
PS01	01011148	Power Supply	

Basic Unit

Spare Parts
FoodScan Pro
FoodScan Lab



* Pos. 210 + 211 Text see dwg. 01030110_kl no. 1-2

01030110_IS2 7.0+ Dokument: 4.FD.8.14

200-2

Fig. 8

10 Basic Unit

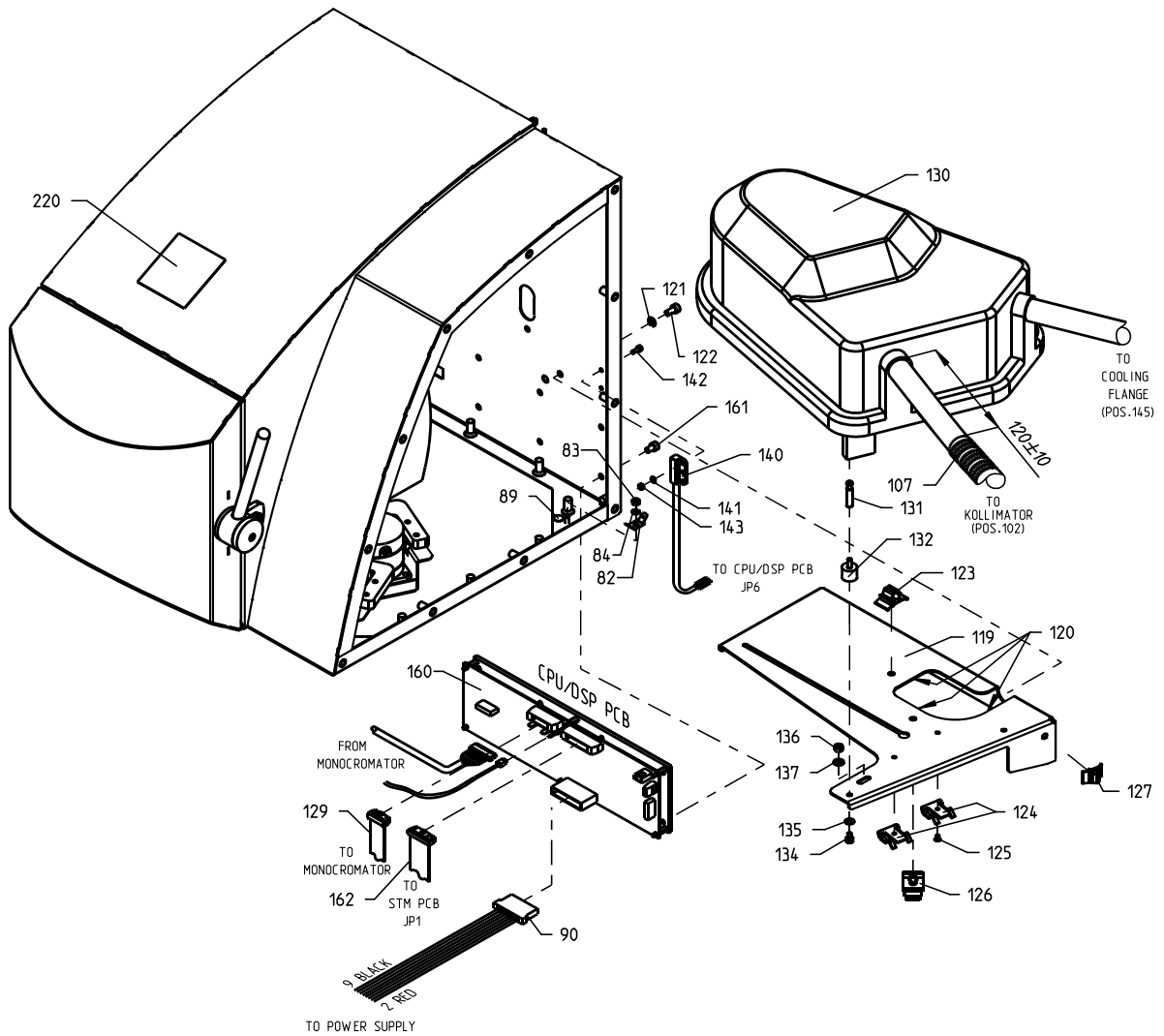
Assembly No.: 1030110**Page: 200-3**

Pos.	Part No.	Description	Note
30	10011738	Monochromator complete	
30 ¹⁾	18111738	Exchange Monochromator	Exchange
90	01030169	Cable PSU-USB/DSP	
129	01030165	Cable	
131	10009195	Threaded stay	
132	15440017	Vibration damper	
160	01052253	CPU/DSP PCB	
162	01030166	Cable CPU/STM	

¹⁾ Not illustrated

Basic Unit

Spare Parts
FoodScan Pro
FoodScan Lab



250 Accessories instr.

Fig. 9

11 Accessories for FoodScan Pro

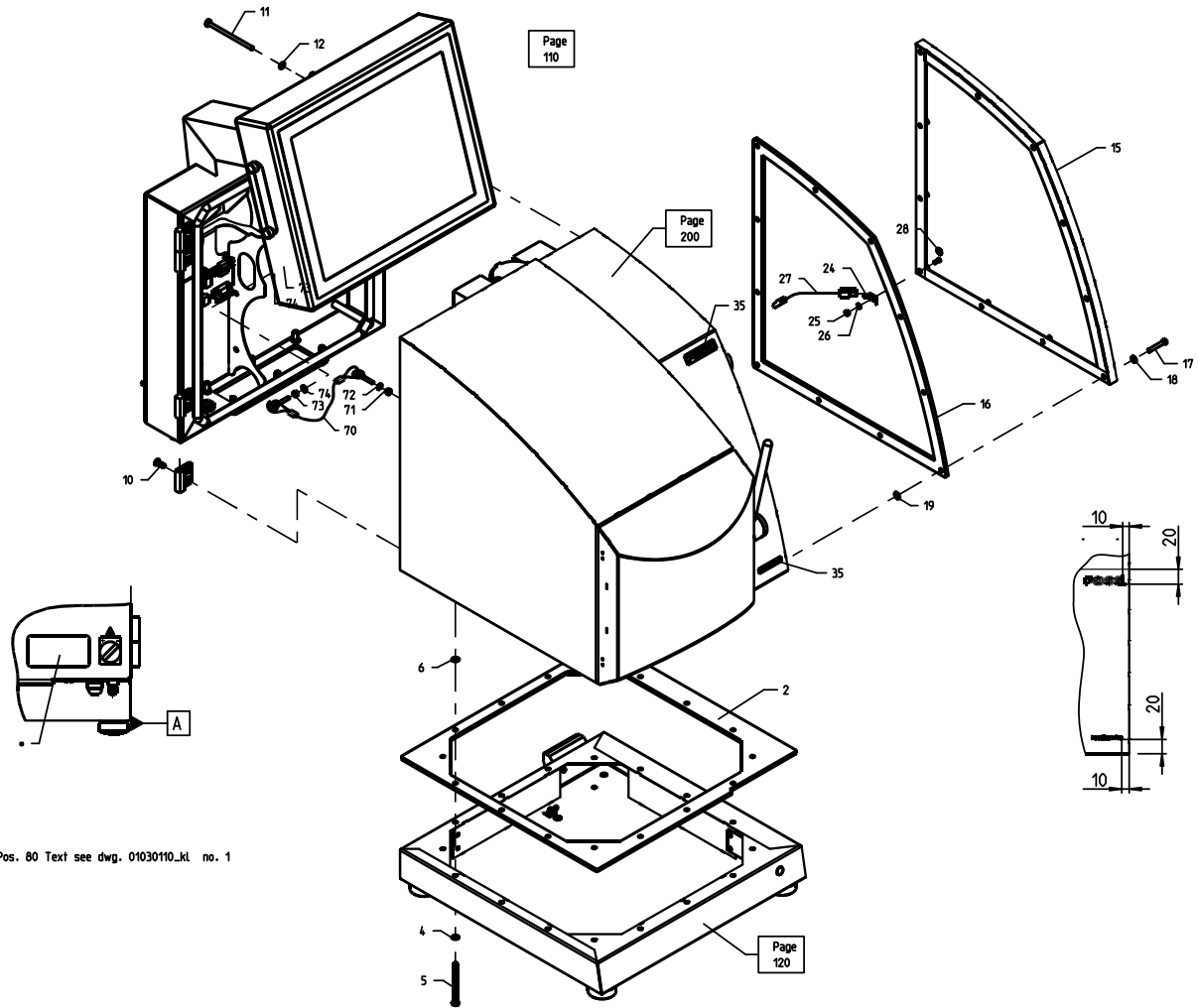
Assembly No.: 1030407

Page: 300-1

Pos.	Part No.	Description	Note
2	60000093	Gasket	
16	60000092	Gasket	

Accessories for FoodScan Pro

Spare Parts
FoodScan Pro



01030407_151 2.5- Dokument:3.AG.1.47

Fig. 10

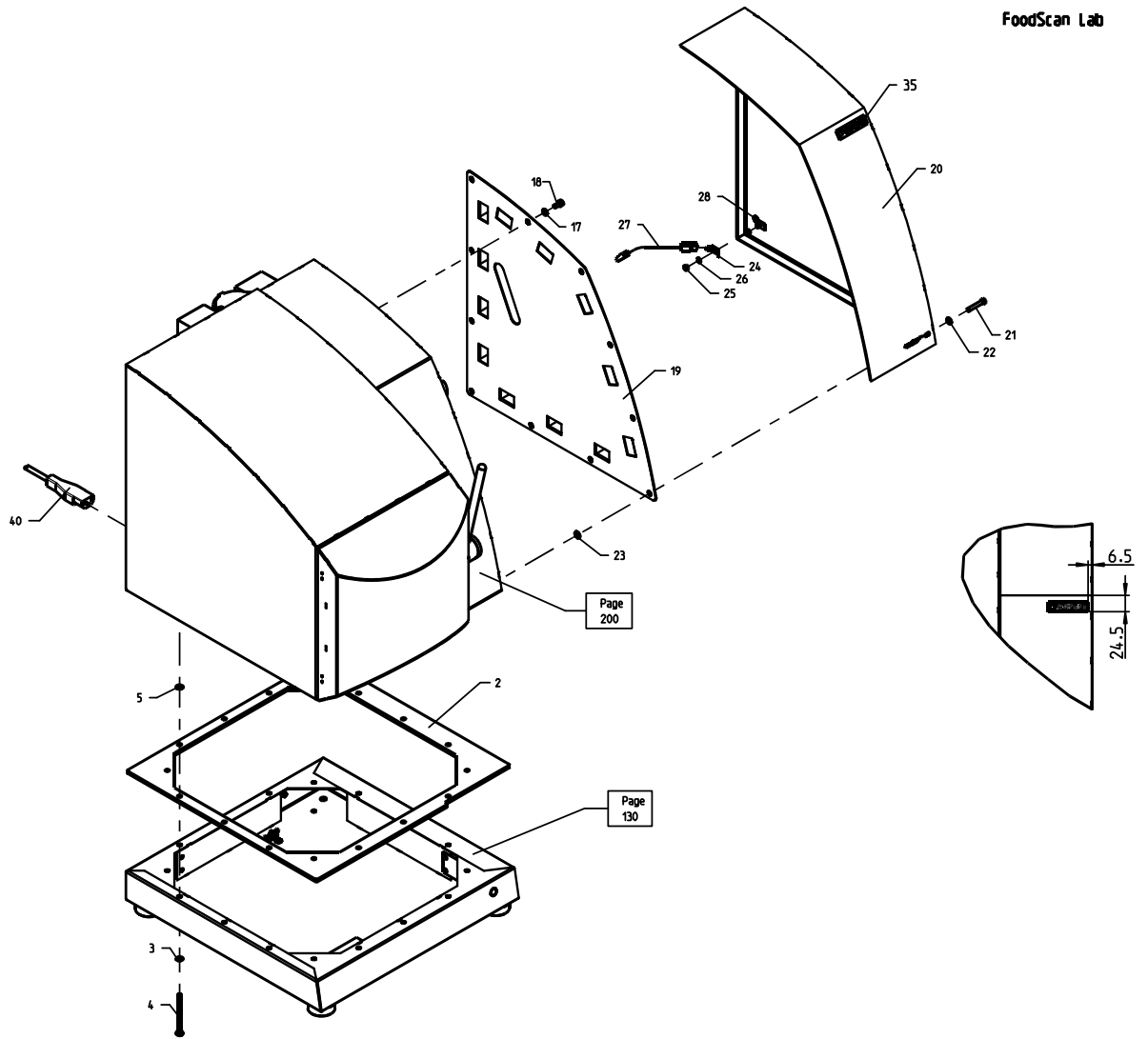
12 Accessories for FoodScan Lab

Assembly No.: 1030414 *Page: 310-1*

Pos.	Part No.	Description	Note
2	60000093	Gasket	

Accessories for FoodScan Lab

Spare Parts
FoodScan Lab



01030414_151 2.3+ Dokument:3_AG:1.55

310

Fig. 11