

---

# InfraXact™ Lab Spare Parts Manual

1001 0717 / Rev. 13



Information may be changed or updated without notice. The latest version is found at [www.foss.dk](http://www.foss.dk).

<b>Rev.</b>	<b>Date of Issue</b>	<b>Revised Material</b>
12	2014-02-18	Spare parts optimization
13	2015-10-06	FOSS address updated

**NOTE: Please note that all information is liable to change without prior notice.**

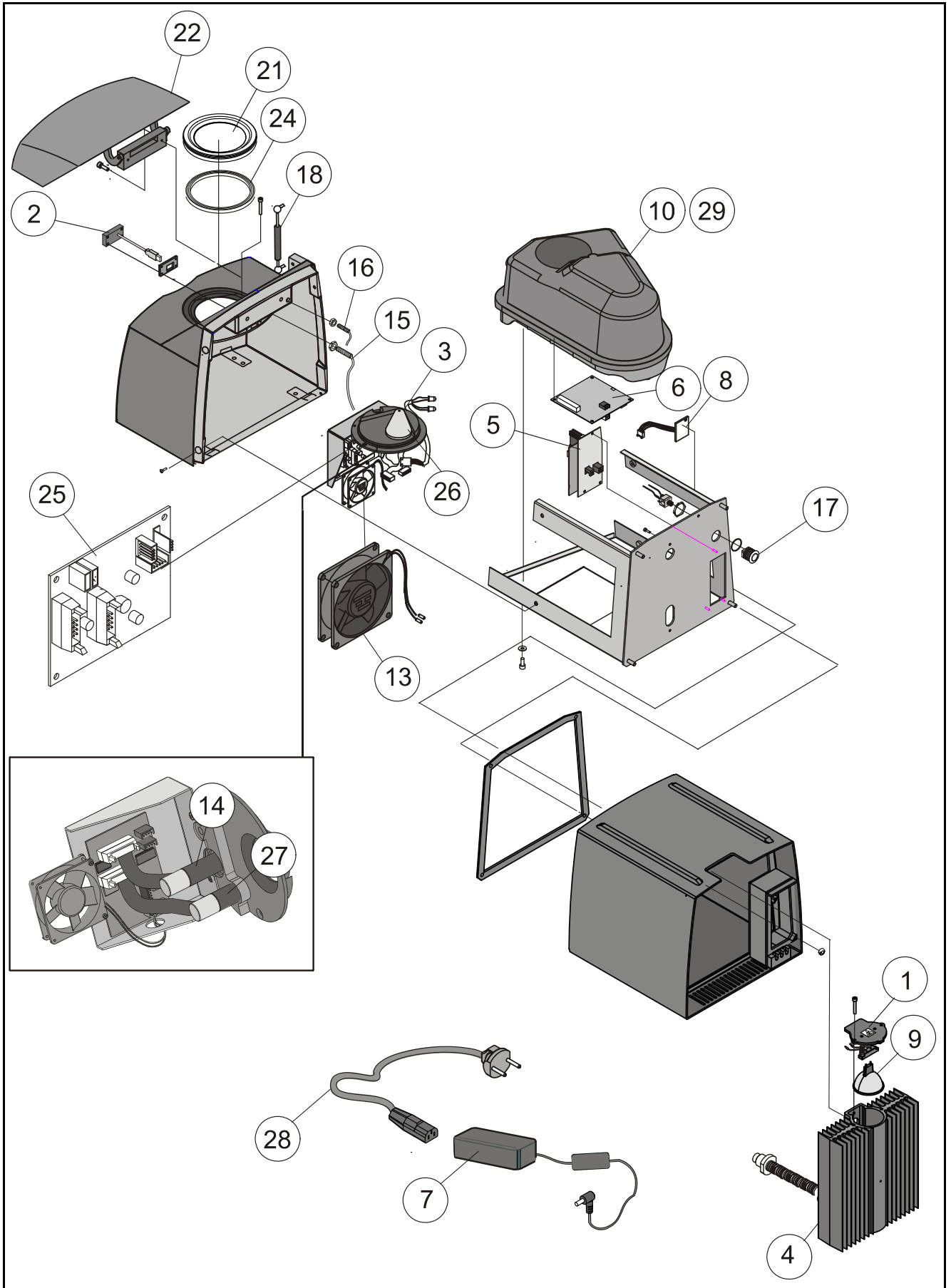
 **Warning**

***Please read Safety Precautions in the Service Manual prior to maintenance or exchange of spare parts.***

***The system may only be repaired by FOSS personnel or by other personnel approved by FOSS.***

<b>Spare Parts</b>			
<b>Pos.</b>	<b>Part No.</b>	<b>Description</b>	<b>Note</b>
1	1001 3351	Lamp Holder	
2	1001 2458	RFID Sensor including Gasket	
3	1001 2457	Sample Presentation Unit	
4	1001 2459	Lamp House with Fibre	
5	1001 2463	Instrument Supply Board	
6	6004 5448	DSP Board including Cable	See TN 1389
7	1001 2054	Power Supply	
8	1001 2958	Instrument ID Board	
9	6004 3564	Lamp	
10	1001 2461	Spectrometer including DSP Board	
11	1001 2961	InfraXact Service Standard Kit	See page 6 for contents
12	6004 0385	External Wavelength Cal. Kit	See page 6 for contents
13	1001 2959	Fan	
14	1001 2960	Cup Motor	
15	1001 2962	Cup Position Sensor	
16	1001 2963	Lid Position Sensor	
17	1001 2964	Power Switch	
18	1001 2965	Pneumatic Damper	
19	1001 2966	Service Kit Cables	See page 6 for contents
20	1001 2967	Service Kit Gaskets	See page 6 for contents
21	1001 4953	InfraXact Instrument Glass Repair Kit	
22	6002 3677	Lid Complete	
23	6002 3539	InfraXact Aperture Kit *)	Aperture sizes 7.5/7.0/6.5/6.0/5.5/5.0
24	6003 5346	SPU Bearing	
25	6003 5347	SPU PCB	
26	6004 8117	Reference Plate	
27	6004 8118	Reference Plate Motor	
28	1565 0026	Power cable 230V	
	1565 0063	Power cable 115V	
<b>Exchange Parts</b>			
29	1811 2461	Exchange Spectrometer including DSP Board	

\*) Not illustrated.



Item	Description	Note
<b>InfraXact Service Standard Kit (part no. 1001 2961) *)</b>		
1	ERC Standard	
2	CD InfraXact Service Manual	
3	CD InfraXact Service Application	
4	Diskette ERC Difference Spectra	
<b>External Wavelength Cal. Kit (part no. 6004 0385) *)</b>		
1	External Wavelength Standard	
2	CD InfraXact Service Application	
3	CD Wavelength Standard	
<b>Service Kit Cables (part no. 1001 2966) *)</b>		
1	USB/Power Cable 1	
2	I2C/Power Cable	
3	LED Cable	
4	USB/Power Cable 2	
5	USB Cable	
<b>Service Kit Gaskets (part no. 1001 2967) *)</b>		
1	Rear Gasket for Cover	
2	Gasket for Cable Cover	
3	Gasket for RFID	
4	Front Gasket for Cover	
5	Bumper for Lid	
<b>Repair Kit SPU Cogwheel (part no. 6005 6933) *)</b>		
1	Cogwheel	
2	Grub screw	
3	Thread locker	
<b>Glass Repair Kit for Large cup, separable (part no. 6006 1155) *)</b>		
1	Glass	
2	O-ring	

\*) Not illustrated.