
Fossomatic™ FC Spare Parts Manual

0102 5671 / Rev. 3



All information is liable to change without prior notice. For latest information about documentation updates for your specific instrument, please contact your local FOSS representative.

Rev.	Date of Issue	Revised Material
3	2012-01-17	Major update of spare parts. Layout improved.

Please inform Technical Communication Team at the address given below, if you have any opinions about or proposals for changes to this manual.

Technical Communication Team

e-mail tig@foss.dk

FOSS Analytical AB, Box 70, SE-263 21 Höganäs, Sweden

Tel Int +46 42 361500, Fax +46 42 340349

Table of Contents

1	General	1
1.1	Explanation of Definitions	1
2	Assembly Identification	2
3	Pipette Arm Unit	6
4	Pipette Front Plate	8
5	Pipette Unit	10
6	Pipette Kit	12
7	Pipette Front Plate	14
8	Pipette Arm	16
9	Pipette Unit	18
10	Pipette Unit	20
11	Tube Pump	22
12	Intake Heat Unit	24
13	Valve Platform	26
14	Valve Platform Cables	28
15	Valve Platform Tubing	30
16	Syringe Guide	32
17	Syringe Guide	34
18	Buffer Syringe	36
19	Sample Syringe	38
20	Measuring Syringe	40
21	Cuvette Clamp	42
22	Vertical Adjustment	44
23	Horisontal Adjustment	46

24	Cuvette Unit	48
25	Microscope	50
26	Lamp Unit	52
27	Detector Unit	54
28	Concentrate Interface	56
29	Waste Unit	58
30	Sheath Liquid Unit	60
31	Rinse Liquid Unit	62
32	Tube Pump	64
33	Mixing Chamber	66
34	Mixing Pump	68
35	Power Supply Unit	70
36	El Base Plate	72
37	El Rack Unit	74
38	El Box Unit	76
39	Lid Unit	78
40	Cabinet	80
41	Monitor Arm	84
42	Monitor Cables	86
43	PC Unit	87
44	Basic Unit	88
45	Basic Unit	92
46	Basic Unit Cables	94
47	Basic Unit Fibre Cables	96
48	Basic Unit Tubing	98

49	Container Trolley	100
50	Container Lid Waste System	102
51	Container Lid B/D System	104
52	Container Lid Rinse Liquid System	106
53	Index	108

1 General

This document contains Spare Parts for Fossomatic™ FC.



Warning

Please read Safety Precautions in the Service Manual prior to maintenance or exchange of spare parts.

The system may only be repaired by personnel certified by FOSS.

1.1 Explanation of Definitions

Explanation of definitions used in this manual:

- Drawing No. FOSS drawing number.
- Page Drawing page in FOSS database.
- Part No. Spare part number for ordering.
- Prod. No. FOSS production number.

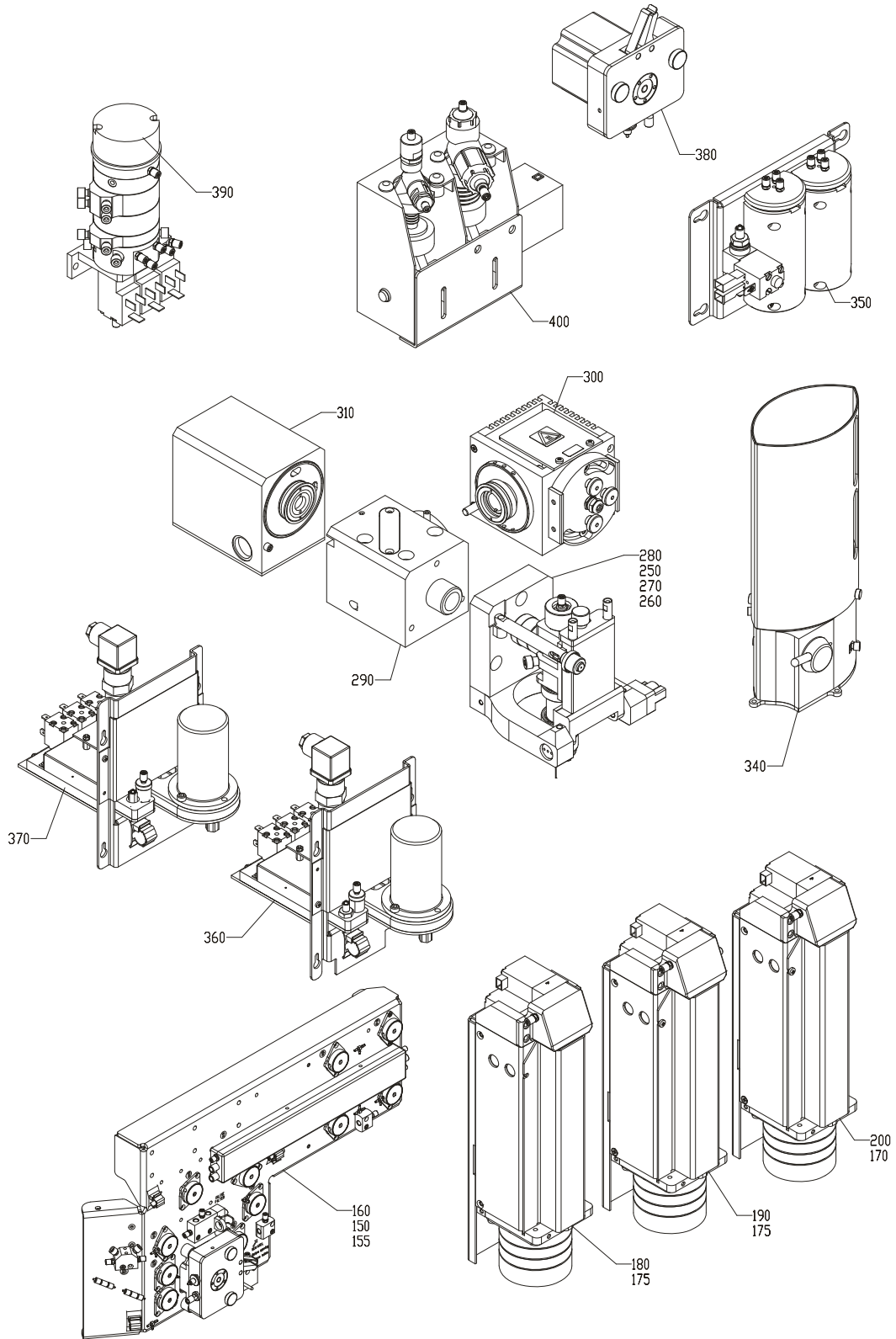
Note:

When ordering new spare parts, please use the Part No. stated in this manual for the parts in question.

2 Assembly Identification

Drawing No.: 60002326**Page: 1**

Pos.	Description
150-1	Tube Pump
155-1	Intake Heat Unit
160-1	Valve Platform
160-2	Valve Platform Cables
160-3	Valve Platform Tubing
170-1	Syringe Guide
175-1	Syringe Guide
180-1	Buffer Syring
190-1	Sample Syringe
200-1	Measuring Syringe
250-1	Cuvette Clamp
260-1	Vertical Adjustment
270-1	Horisontal Adjustment
280-1	Cuvette Unit
290-1	Microscope
300-1	Lamp Unit
310-1	Detector Unit
340-1	Concentrate Interface
350-1	Waste Unit
360-1	Sheath Liquid Unit
370-1	Rinse Liquid Unit
380-1	Tube Pump
390-1	Mixing Chamber
400-1	Mixing Pump



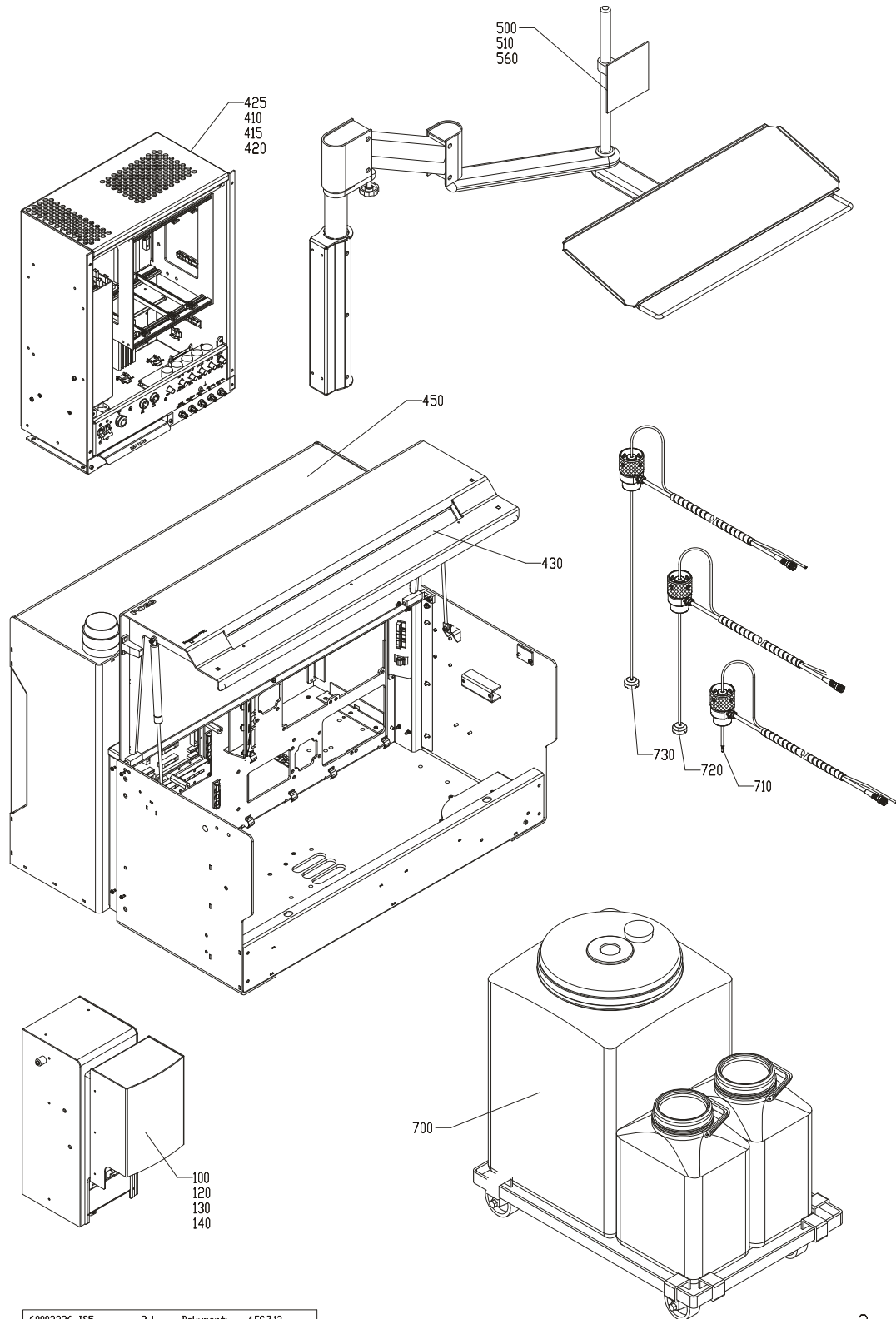
60002326_IS4 2.0 Dokument: 4FC.7.12

1

Fig. 1

Drawing No.: 60002326**Page: 2**

Pos.	Description
100-1	Pipette Arm Unit
120-1	Pipette Front Plate
130-1	Pipette Unit
140-1	Pipette Kit
145-1	Pipette Front Plate
146-1	Pipette Arm
147-1	Pipette Unit
147-2	Pipette Unit
410-1	Power Supply Unit
415-1	El Base Plate
420-1	El Rack Unit
425-1	El Box Unit
430-1	Lid Unit
450-1	Cabinet
500-1	Monitor Arm
510-1	Monitor Cables
560-1	PC Unit
600-1	Basic Unit
600-2	Basic Unit
600-3	Basic Unit Cables
600-4	Basic Unit Fibre Cables
600-5	Basic Unit Tubing
700-1	Container Trolley
710-1	Container Lid Waste System
720-1	Container Lid B/D System
730-1	Container Lid Rinse Liquid System



60002326_1S5 2.1 Dokument: 4.FC.7.13

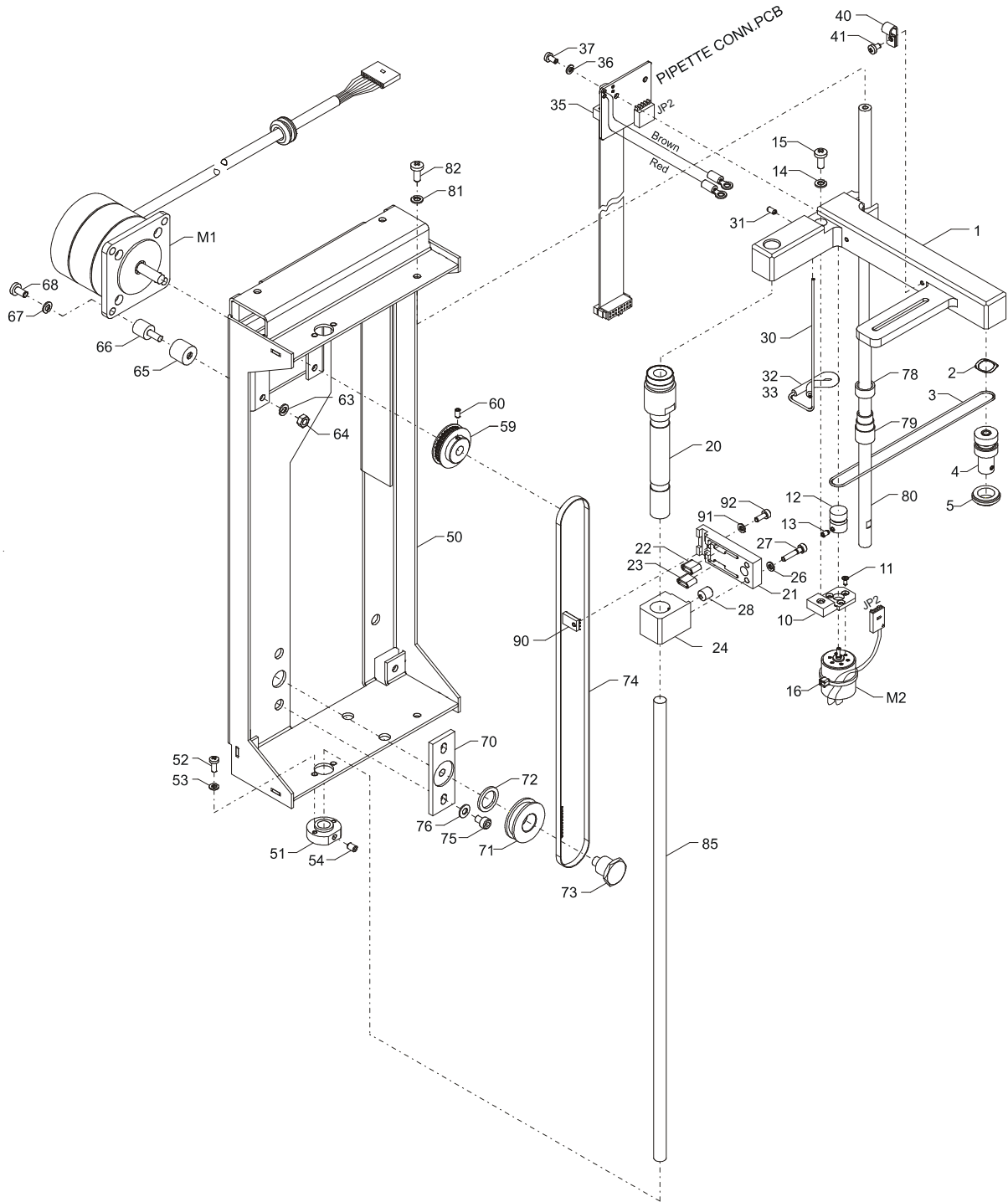
Fig. 2

2

3 Pipette Arm Unit

Drawing No.: 01010640**Page: 100-1**

Pos.	Part No.	Description	Prod. No.
2	00327957	Spring	
3	00504548	Belt	
4	00504936	Shaft CP.	
5	00503755	Union	
13	00103275	Allen screw	
14	00109108	Springwasher	
15	00820365	Screw m4x10	
16	00049254	Cable ties 2.5mm x 100mm Pa natur	
20	00504928	Housing	
21	00503557	Bar	
22	60045822	Silic. Ø4x7	00094789
23	60045822	Silic. Ø4x7	00094789
35	00588459	Pcb assy Pipette Connection PCB	
36	00299313	Washer	
37	00820209	Screw m3x06	
40	00053207	Nylon clamp	
41	00820191	Screw m3x05	
54	00108084	Allen screw	
59	01010611	Gear wheel	
60	00144592	Allen screw	
66	00329458	Damper	
67	00109108	Springwasher	
68	00820357	Screw m4x08	
71	00321331	Pulley	
73	00503680	Pin	
74	00328559	Belt	
75	00256701	Allen screw	
76	00109397	Washer	
78	00090902	Silic. Ø8x12	
79	00514505	Slide Bushing	
81	00109108	Springwasher	
82	00820365	Screw m4x10	
90	00503573	Lock	
91	00299313	Washer	
92	00705251	Allen screw M3x8	
M1	00528737	Motor cpl.	
M2	01010679	Motor cpl.	



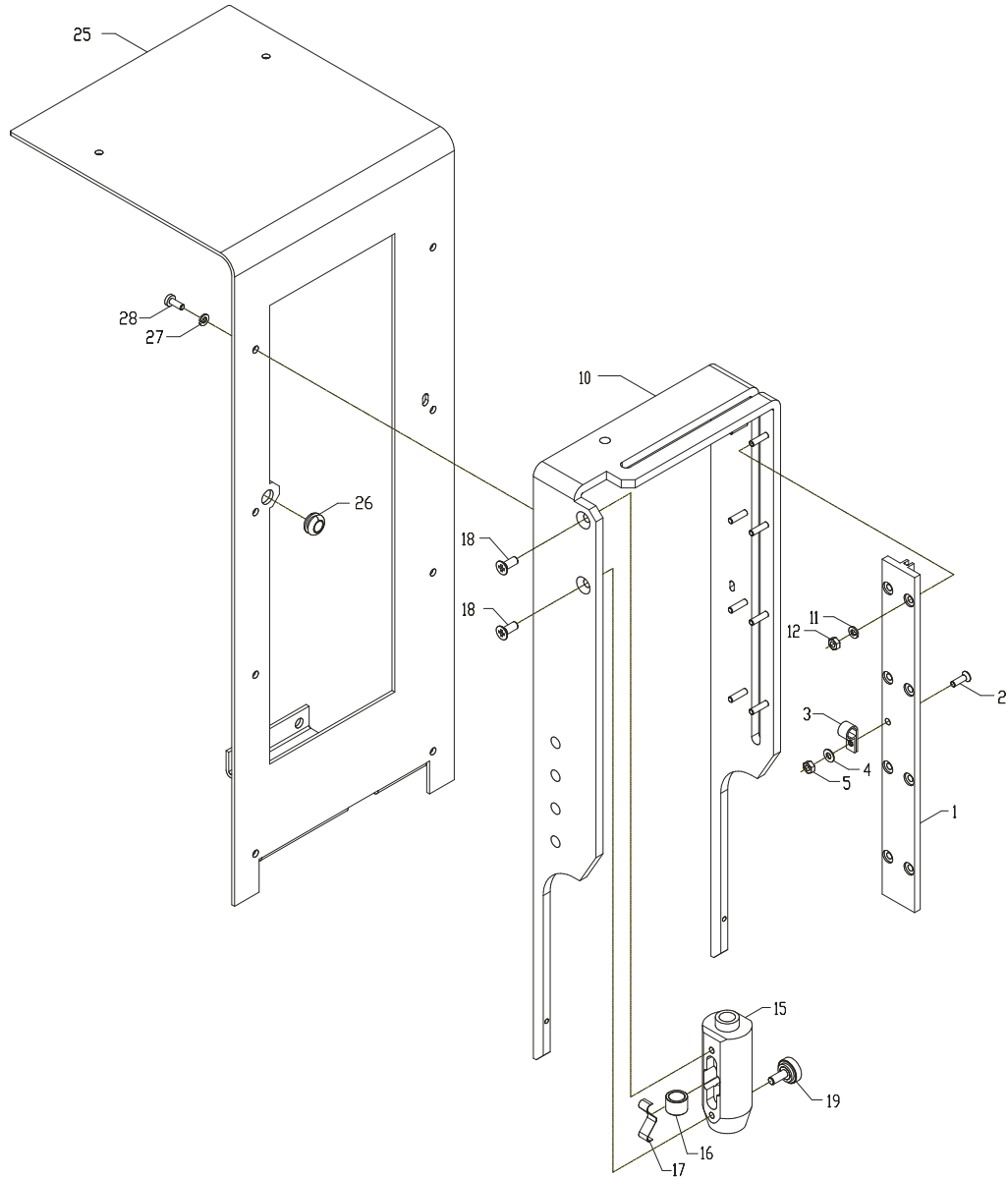
01010640_JS1 3.0 Dokument: 4.FF.1.76

Fig. 3

4 Pipette Front Plate

Drawing No.: 01010650**Page: 120-1**

Pos.	Part No.	Description	Prod. No.
2	00821298	Screw m3x10	
3	00053207	Nylon clamp	
4	00296640	Washer	
5	00153403	Nut	
16	00136978	Bush	
18	00821439	Screw m4x10	
19	00219253	Screw	
26	00325191	Bushing	



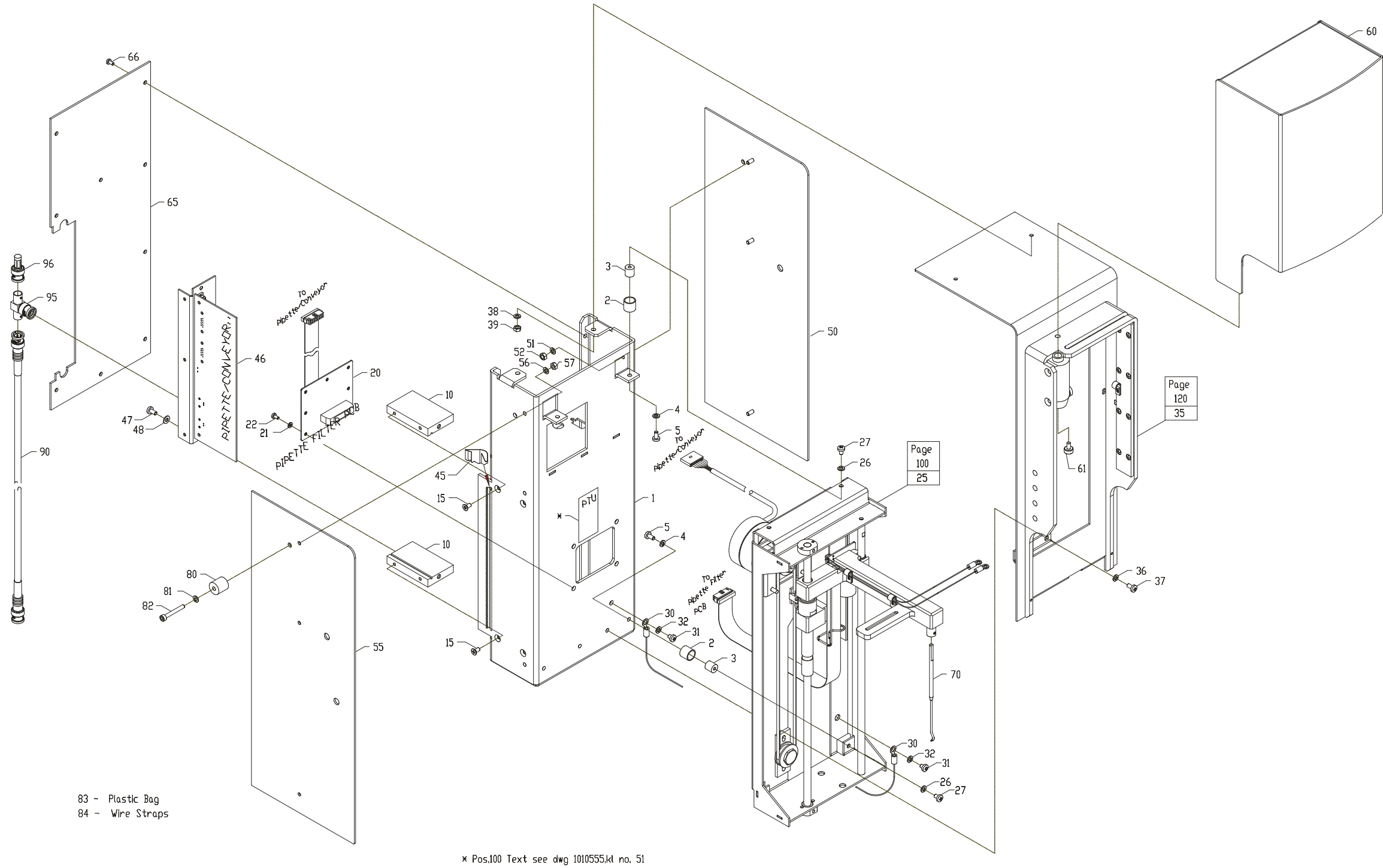
01010650_IS1 3.1 Dokument: 4FF.1.25

Fig. 4

5 Pipette Unit

Drawing No.: 01010655**Page: 130-1**

Pos.	Part No.	Description	Prod. No.
3	01010643	Damper	
4	00109108	Springwasher	
5	00820365	Screw m4x10	
20	00588434	Pcb assy Pipette Filter PCB	
21	00299313	Washer	
22	00820209	Screw m3x06	
26	00109108	Springwasher	
27	00820340	Screw m4x06	
30	01010729	Wire	
31	00820332	Screw m4x05	
32	00109108	Springwasher	
36	00109108	Springwasher	
37	00820357	Screw m4x08	
38	00109108	Springwasher	
39	00051433	Nut m4	
45	00847103	EMC-list	
46	00588475	Pcb assy Pipette/Conveyor PCB	
47	00820357	Screw m4x08	
48	00109397	Washer	
61	00503797	Screw	
66	00820209	Screw m3x06	
70	00504498	Stirrer cpl.	
80	00503805	Stay	
81	00109108	Springwasher	
82	00367912	Allen screw	
90	01010857	Arcnet cable	



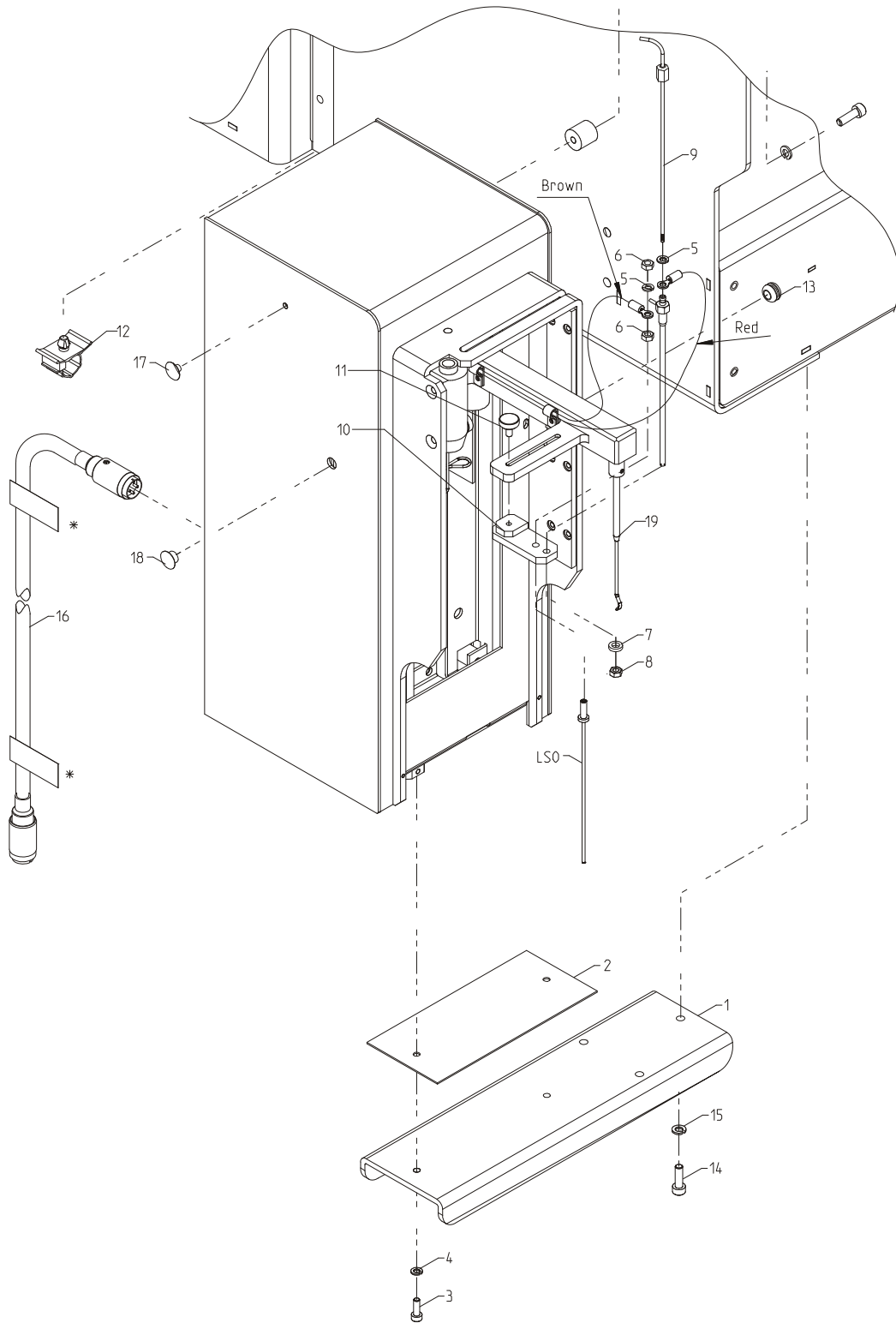
01010655_IS1 3.1 Dokument: 3FP.153

Fig. 5

6 Pipette Kit

Drawing No.: 01032256 *Page:* 140-1

Pos.	Part No.	Description	Prod. No.
3	00291724	Allen screw M4x12	
4	00109108	Springwasher	
5	00109108	Springwasher	
6	00051433	Nut m4	
8	00008839	Nut M 5	
9	00514919	Pipette cpl.	
10	00527986	Bracket	
11	00217612	Finger screw	
12	00528471	Cable holder	
13	00043216	Grommet	
16	00531673	Cable assembly	
LS0	00528117	Sensor compl.	



* Pos. 21. Text see dwg. 60002326_kl no. 39

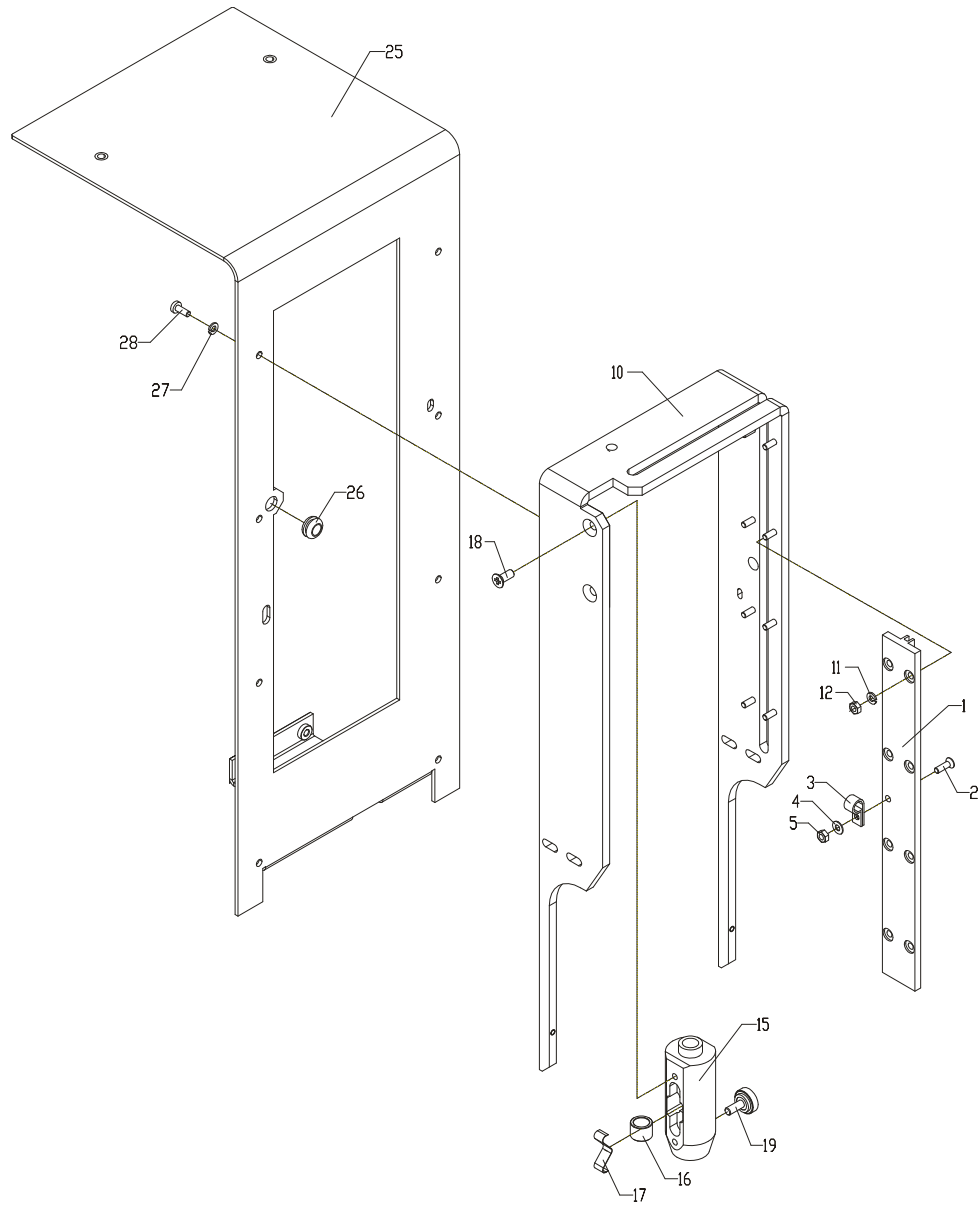
01032256_IS0	5.0	Dokument: 4.FC.7.11
--------------	-----	---------------------

Fig. 6

7 Pipette Front Plate

Drawing No.: 60030536**Page: 145-1**

Pos.	Part No.	Description	Prod. No.
2	00821298	Screw m3x10	
3	00053207	Nylon clamp	
4	00296640	Washer	
5	00153403	Nut	
16	00136978	Bush	
18	00821439	Screw m4x10	
19	00219253	Screw	
26	00325191	Bushing	



60030536_95 1.3 Dokument: 60030536_95

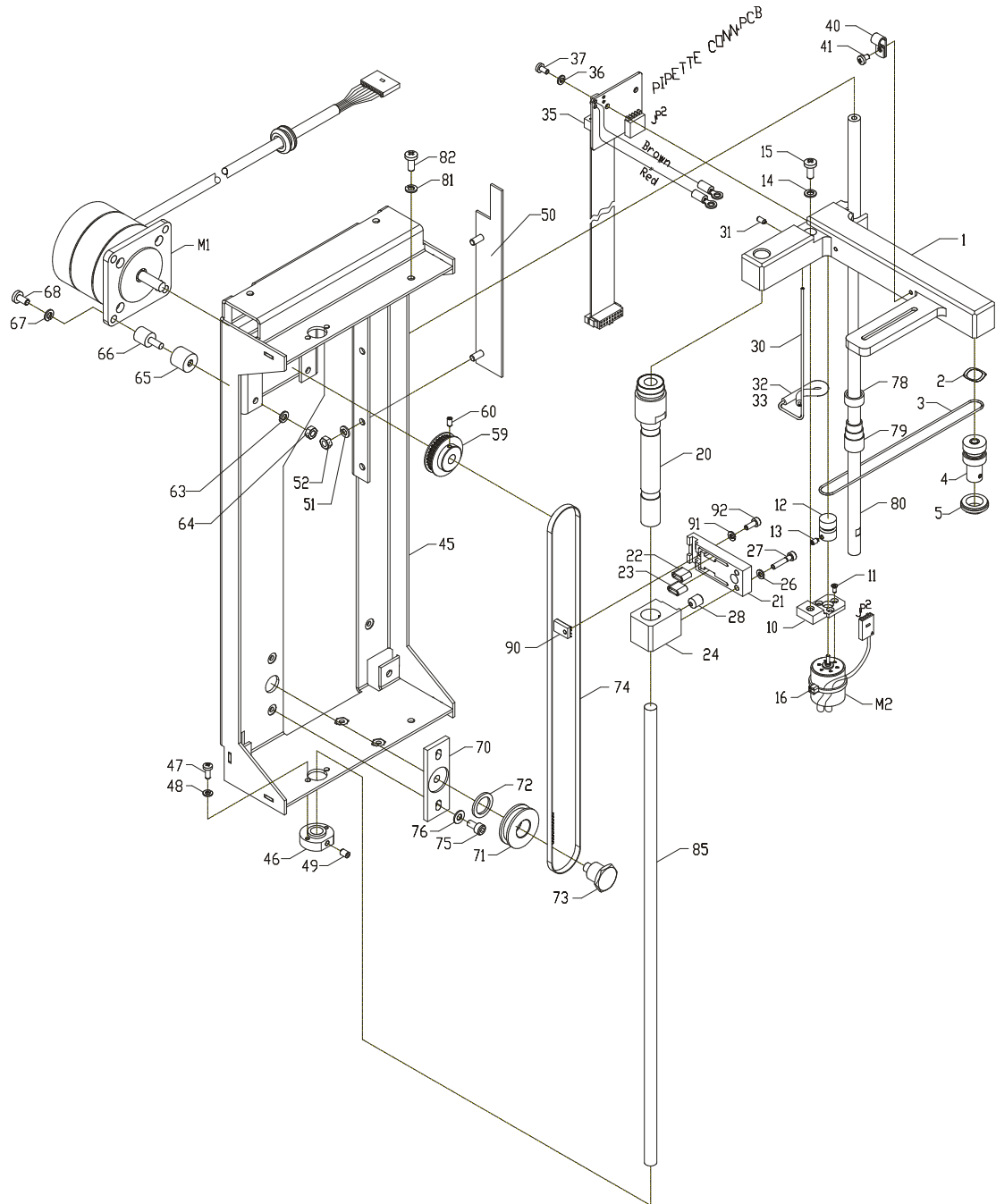
Fig. 7

8 Pipette Arm

Drawing No.: 60030537

Page: 146-1

Pos.	Part No.	Description	Prod. No.
2	00327957	Spring	
3	00504548	Belt	
4	00504936	Shaft CP.	
5	00503755	Union	
13	00103275	Allen screw	
14	00109108	Springwasher	
15	00820365	Screw m4x10	
16	00049254	Cable ties 2.5mm x 100mm Pa natur	
20	00504928	Housing	
21	00503557	Bar	
22	60045822	Silic. Ø4x7	00094789
23	60045822	Silic. Ø4x7	00094789
35	00588459	Pcb assy Pipette Connection PCB	
36	00299313	Washer	
37	00820209	Screw m3x06	
40	00053207	Nylon clamp	
41	00820191	Screw m3x05	
49	00108084	Allen screw	
59	01010611	Gear wheel	
60	00144592	Allen screw	
66	00329458	Damper	
67	00109108	Springwasher	
68	00820357	Screw m4x08	
71	00321331	Pulley	
73	00503680	Pin	
74	00328559	Belt	
75	00710624	Allen screw	
76	00109397	Washer	
78	00090902	Silic. Ø8x12	
79	00514505	Slide Bushing	
81	00109108	Springwasher	
82	00820365	Screw m4x10	
90	00503573	Lock	
91	00299313	Washer	
92	00705251	Allen screw M3x8	
M1	00528737	Motor cpl.	
M2	01010679	Motor cpl.	



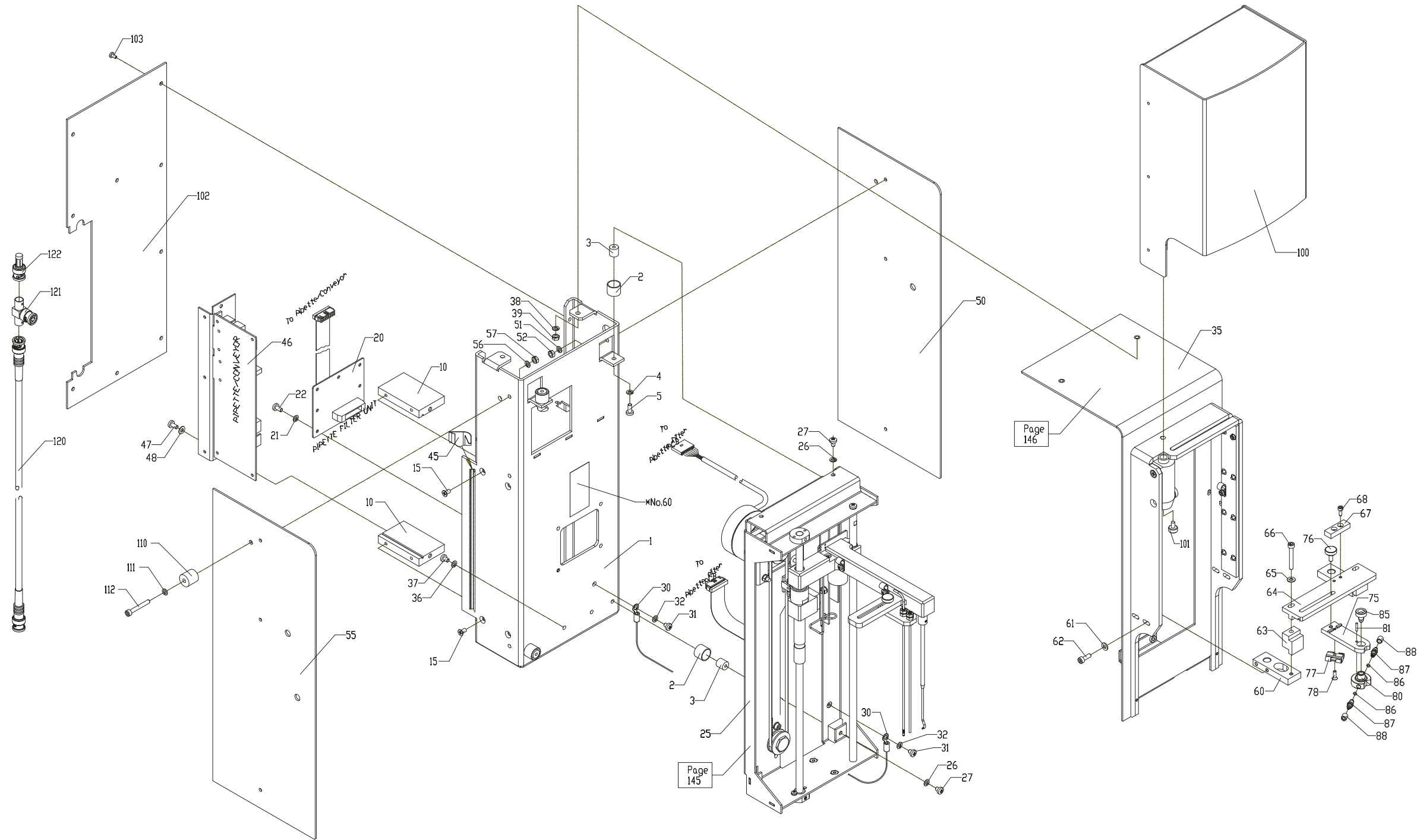
60030537_95 2.1 Dokument: 60030537_95

Fig. 8

9 Pipette Unit

Drawing No.: 60029409**Page: 147-1**

Pos.	Part No.	Description	Prod. No.
3	01010643	Damper	
4	00109108	Springwasher	
5	00820365	Screw m4x10	
20	00588434	Pcb assy Pipette Filter PCB	
21	00299313	Washer	
22	00820209	Screw m3x06	
26	00109108	Springwasher	
27	00820340	Screw m4x06	
30	01010729	Wire	
31	00820332	Screw m4x05	
32	00109108	Springwasher	
36	00109108	Springwasher	
37	00820357	Screw m4x08	
38	00109108	Springwasher	
39	00051433	Nut m4	
45	00847103	EMC-list	
46	00588475	Pcb assy Pipette/Conveyor PCB	
47	00820357	Screw m4x08	
48	00109397	Washer	
75	60029259	Scraper arm	
76	00219253	Screw	
80	60029264	Rinse chamber	
81	00201699	Pin	
85	60029263	Scraper screw	
86	60015102	O-ring ø002.3xø0.90	
87	00530295	Stub	
88	00219121	Union	
101	00503797	Screw	
103	00820209	Screw m3x06	
110	00503805	Stay	
111	00109108	Springwasher	
112	00367912	Allen screw	
120	01010857	Arcnet cable	



* Pos. 200 - text see 60027086_kl

60029409_IS1 4.0 Dokument 3.AX.4.00

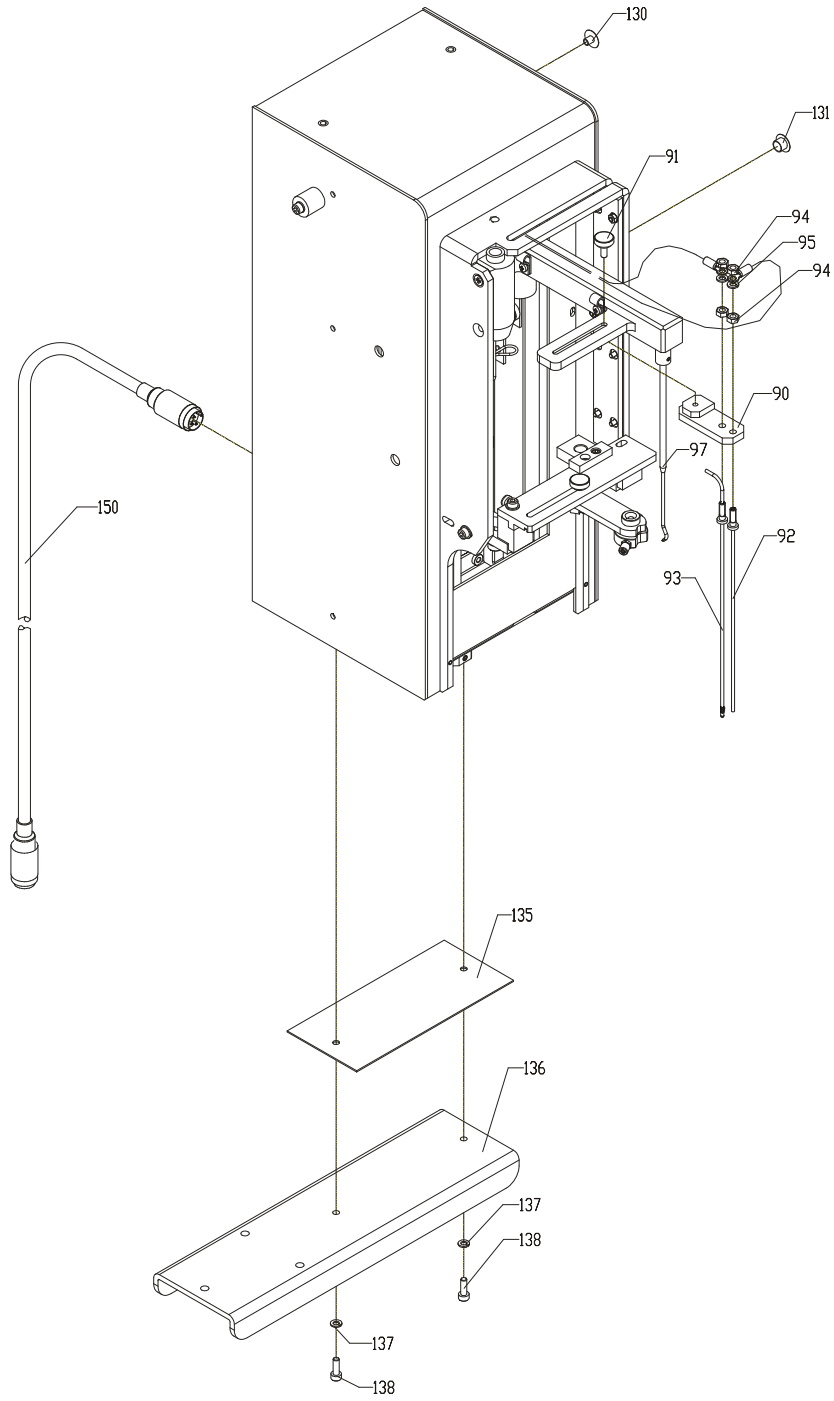
147-1

Fig. 9

10 Pipette Unit

Drawing No.: 60029409 *Page: 147-2*

Pos.	Part No.	Description	Prod. No.
91	00217612	Finger screw	
92	00528646	Sensor complete	
93	60029282	Pipette, complete	
94	00051433	Nut m4	
95	00109108	Springwasher	
97	00514703	Stirrer	
137	00109108	Springwasher	
138	00291724	Allen screw M4x12	
150	00531673	Cable assembly	



60029409_IS2	2.1	Dokument:	4A&3.56
--------------	-----	-----------	---------

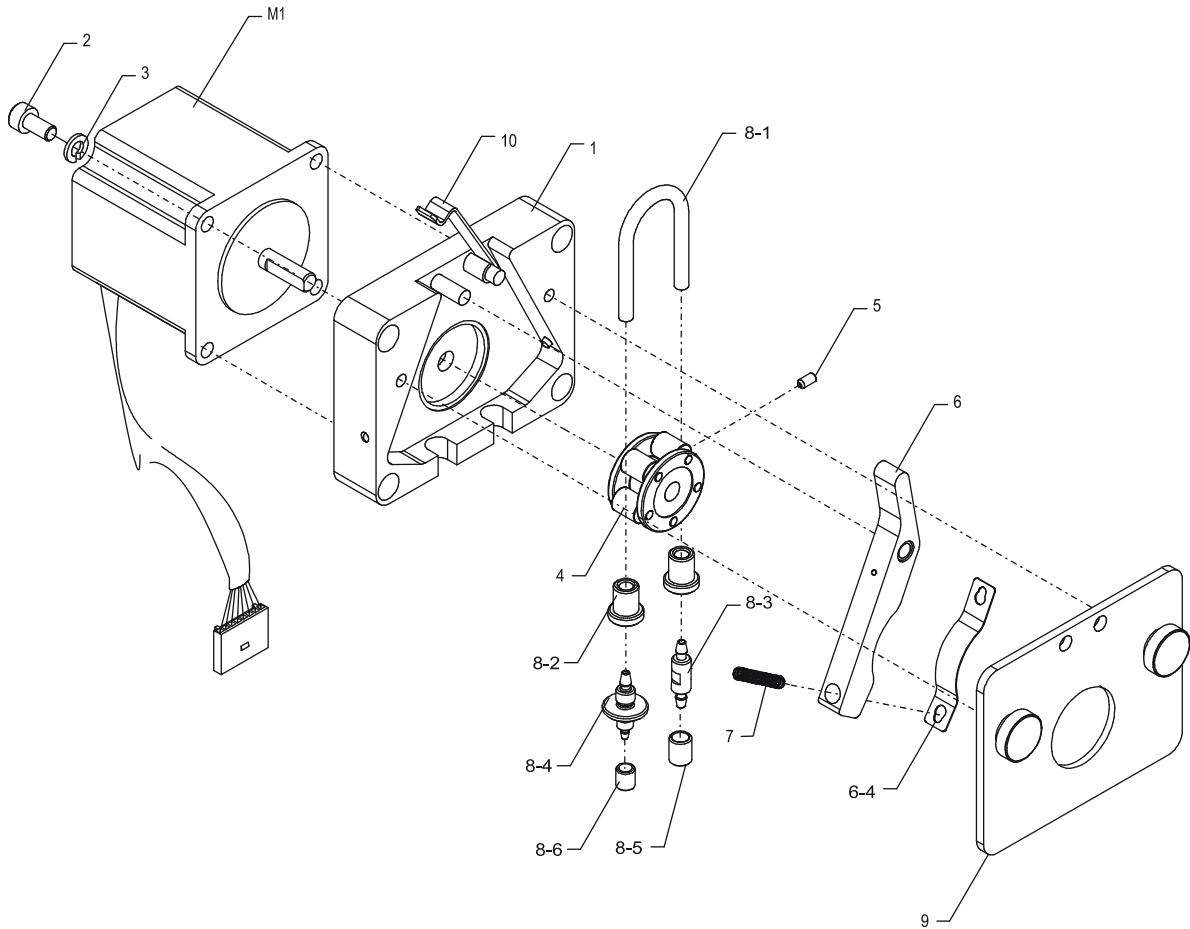
147-2

Fig. 10

11 Tube Pump

Drawing No.: 60002260**Page: 150-1**

Pos.	Part No.	Description	Prod. No.
2	00231837	Allen screw M5x10	
3	00357897	Springwasher	
4	00523928	Roller cpl.	
5	00144592	Allen screw	
6	00495689	Yoke cpl.	
6-4	00495085	Band	
7	00495739	Spring	
8-1	00400754	Marprene Ø2.8/4.4	
8-2	00495481	Union	
8-3	00523944	Stub	
8-4	01015329	Stub	
8-5	00495135	Union	
8-6	00219121	Union	
9	00528356	Lid	
10	00528463	Relief	
M1	01030913	Motor VPL-M1	



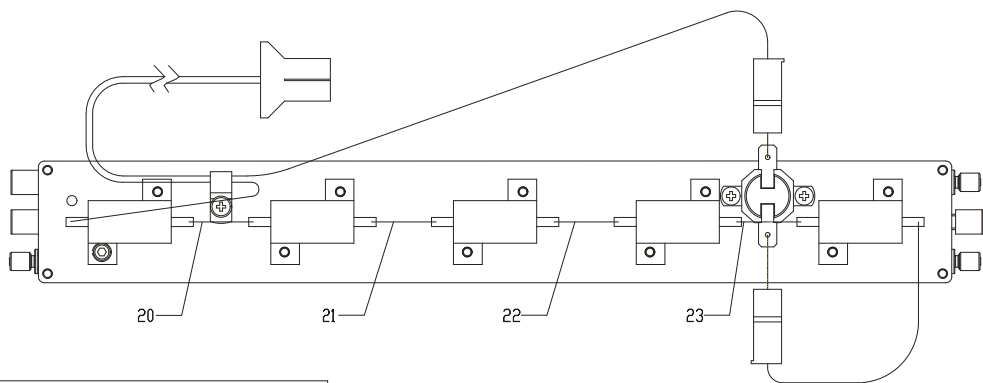
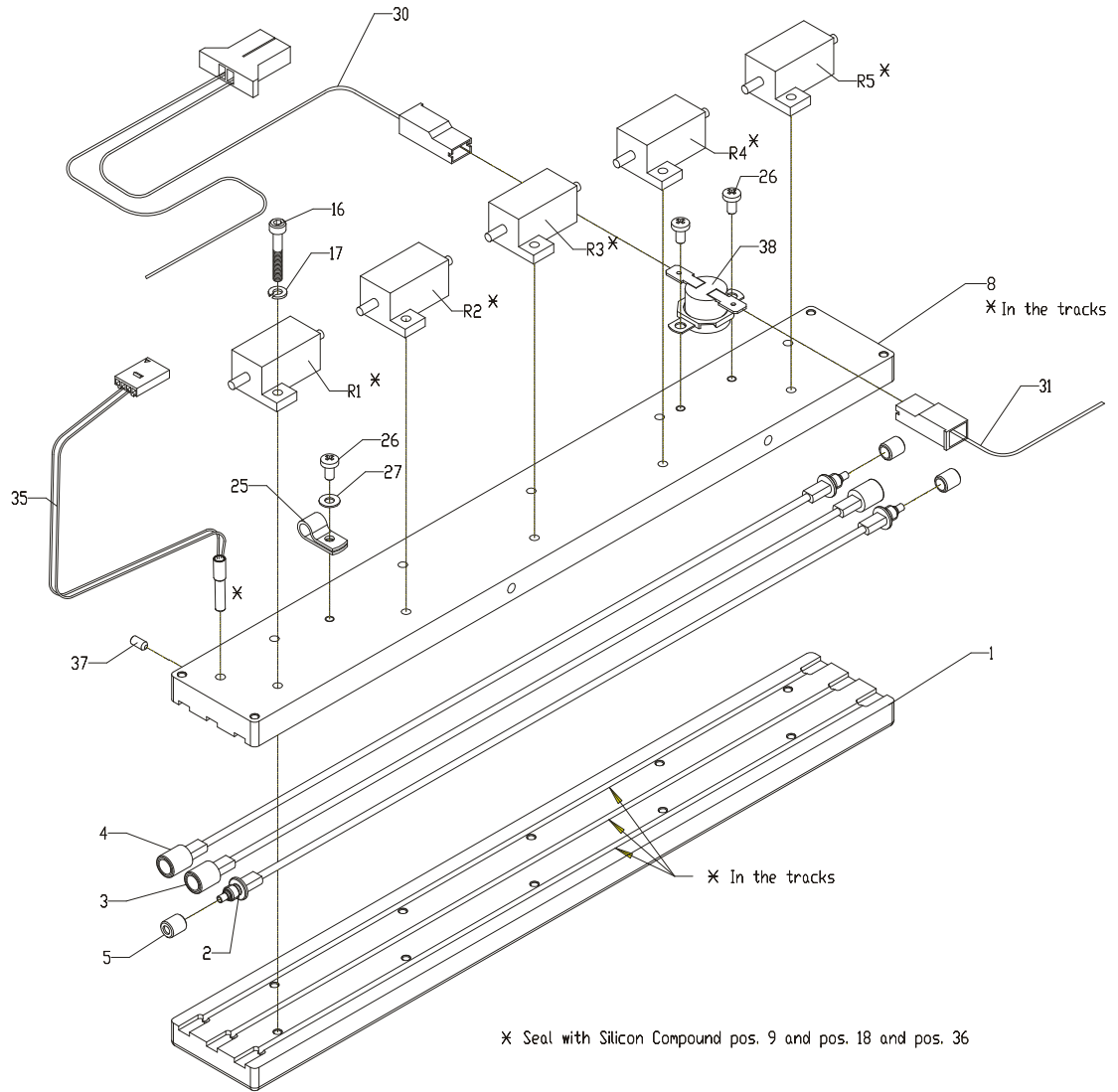
60002260_IS	1.3	Dokument:	4.FC.6.83
-------------	-----	-----------	-----------

Fig. 11

12 Intake Heat Unit

Drawing No.: 60002280**Page: 155-1**

Pos.	Part No.	Description	Prod. No.
2	60002281	Waste tube silicone	
3	60002282	Color tube teflon	
4	60002283	Milk tube teflon/silikone	
9	01030777	Compound, silicone -50 to +200gr. 50ml	
16	00293662	Allen screw	
17	00299313	Washer	
18	01030777	Compound, silicone -50 to +200gr. 50ml	
25	00053207	Nylon clamp	
26	00820209	Screw m3x06	
27	00296640	Washer	
30	01030754	Cable, VPL-H1 / Mother Board	
31	60002394	Cable	
35	01030755	Cable NTC, VPL	
36	01030777	Compound, silicone -50 to +200gr. 50ml	
37	00144592	Allen screw	
38	00234898	Thermostat	
R1	00525832	Resistor E 2.20w25.00	
R2	00525832	Resistor E 2.20w25.00	
R3	00525832	Resistor E 2.20w25.00	
R4	00525832	Resistor E 2.20w25.00	
R5	00525832	Resistor E 2.20w25.00	



60002280_ISD 3.0 Dokument: 4FC.5.97

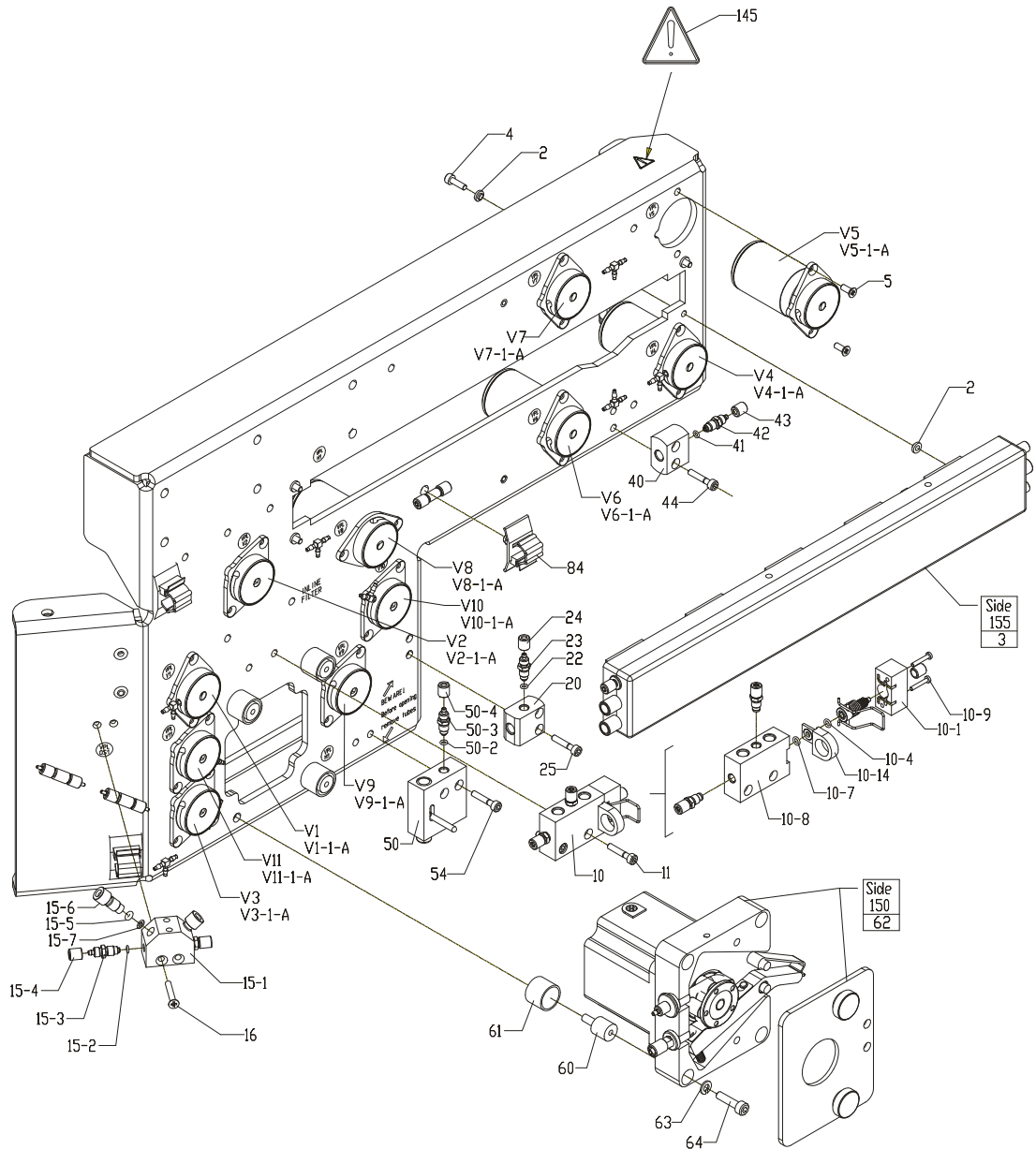
155

Fig. 12

13 Valve Platform

Drawing No.: 60001995**Page: 160-1**

Pos.	Part No.	Description	Prod. No.
2	00383844	Isol. bush	
4	00201160	Allen screw M3x10	
5	00821280	Screw M3x8	
10	60002285	In Line filter complete	
10-1	60002202	Piston house	
10-4	00198499	O-ring	
10-7	00198499	O-ring	
10-8	60002190	Filter manifold	
10-9	00820068	Screw m2x12	
10-14	01015607	Filter	
11	00108480	Allen screw	
15-1	00530485	House	
15-2	00349407	O-ring	
15-3	00530295	Stub	
15-4	00219121	Union	
15-5	00528612	O-ring	
15-6	00523886	Holder	
15-7	00528620	Washer	
16	00821348	Screw m3x20	
20	60002211	Distributor	
22	00349407	O-ring	
23	00530295	Stub	
24	00219121	Union	
25	00108480	Allen screw	
40	60002187	Distributor	
41	00349407	O-ring	
42	00530295	Stub	
43	00219121	Union	
44	00108480	Allen screw	
50	60015474	Manifold complete	
50-2	00349407	O-ring	
50-3	00530295	Stub	
50-4	00219121	Union	
54	00108480	Allen screw	
60	00329458	Damper	
64	00201152	Allen screw M4x16	
84	00525360	Cable holder	



60001995_IS1 6.1 Dokument: 4.FE.5.52

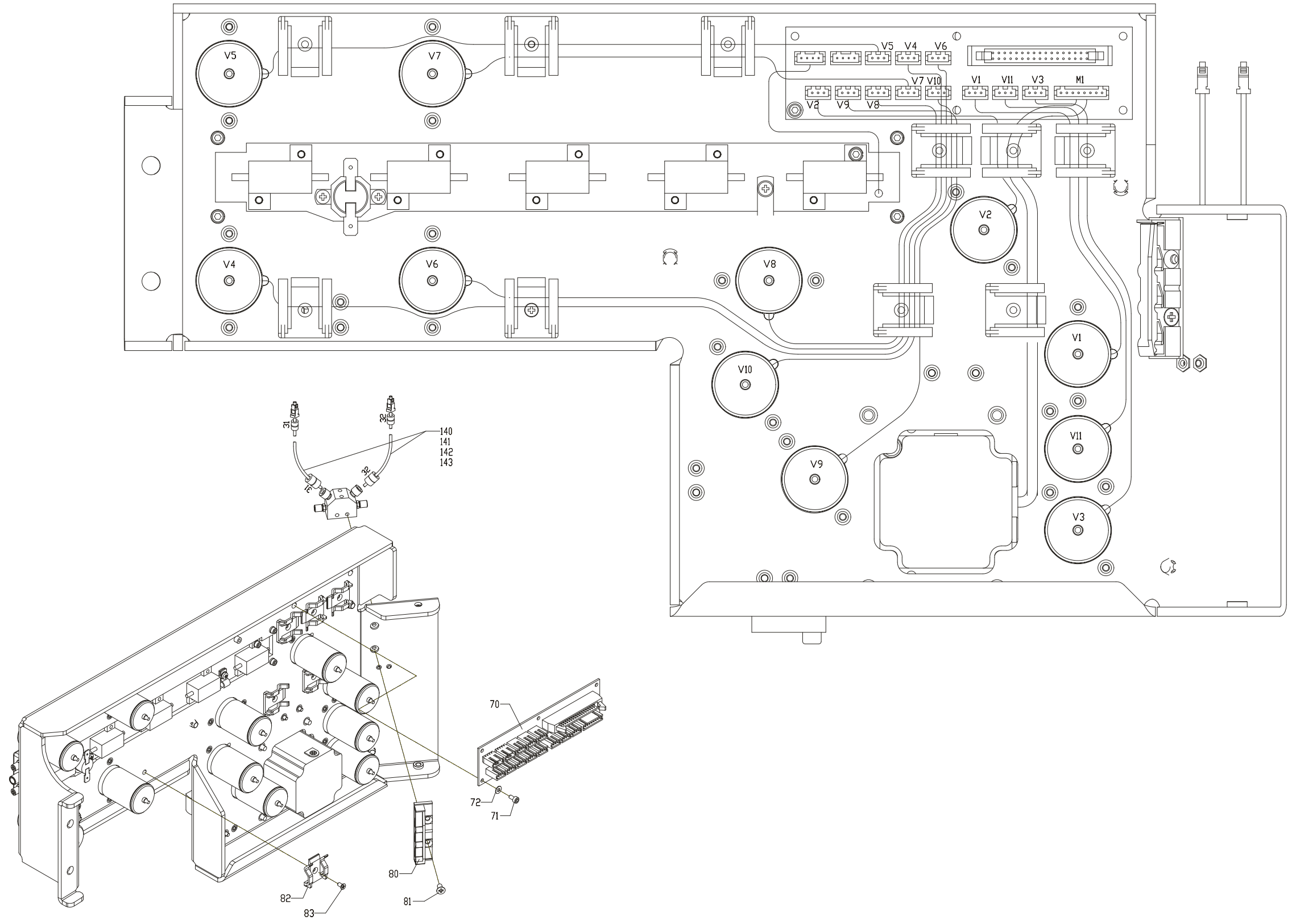
160-1

Fig. 13

14 Valve Platform Cables

Drawing No.: 60001995**Page: 160-2**

Pos.	Part No.	Description	Prod. No.
70	00588632	Pcb assy Valve Connection PCB FM FC	
71	00227348	Allen screw M3x6	
72	00296640	Washer	
80	00452227	Cable holder	
81	00821421	Screw m4x08	
82	00340380	Cable Holder	
83	00821272	Screw m3x06	
140	00507392	Cable	



60001995_IS2 4.1 Dokument: 3FP.2.62

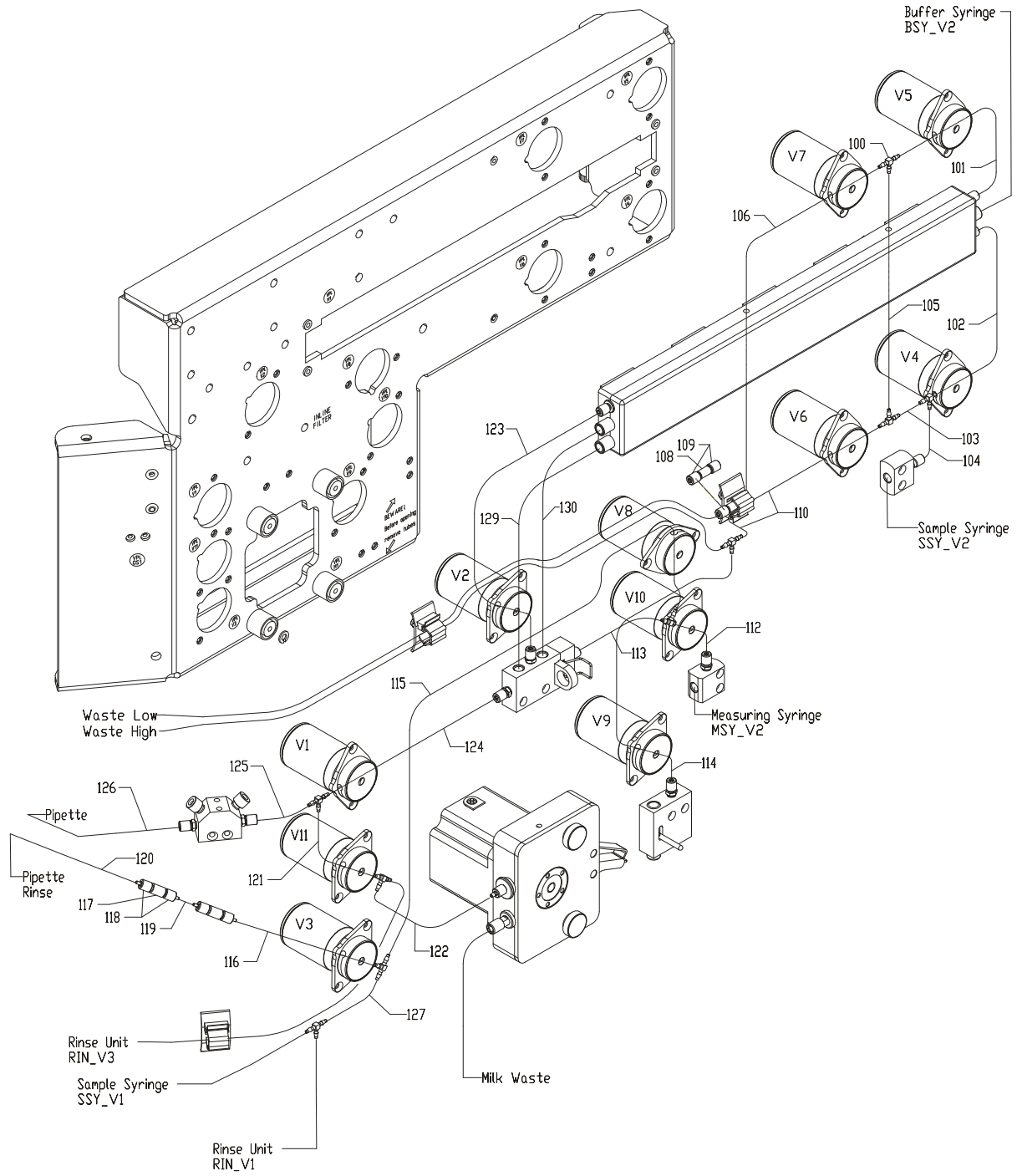
160-2

Fig. 14

15 Valve Platform Tubing

Drawing No.: 60001995 *Page:* 160-3

Pos.	Part No.	Description	Prod. No.
100	00218610	T-piece	
101	00101287	Silic. Ø1.5x3	
102	00101287	Silic. Ø1.5x3	
103	00123182	Silic. Ø1/3	
104	00123182	Silic. Ø1/3	
105	00123182	Silic. Ø1/3	
106	00101287	Silic. Ø1.5x3	
108	00435370	Union	
109	00219121	Union	
110	00101287	Silic. Ø1.5x3	
112	00123182	Silic. Ø1/3	
113	00123182	Silic. Ø1/3	
114	00123182	Silic. Ø1/3	
115	00123182	Silic. Ø1/3	
116	00123182	Silic. Ø1/3	
117	00390765	Union	
118	00219121	Union	
119	00123182	Silic. Ø1/3	
120	00123182	Silic. Ø1/3	
121	00101287	Silic. Ø1.5x3	
122	60045809	Tube Tygon	00183103
123	00101287	Silic. Ø1.5x3	
124	00101287	Silic. Ø1.5x3	
125	00101287	Silic. Ø1.5x3	
126	00101287	Silic. Ø1.5x3	
127	60045809	Tube Tygon	00183103
129	60002334	Tubing L= 85 mm	
130	60002330	Tubing L= 105 mm	



60001995_IS3 5.1 Dokument: 4FE.553

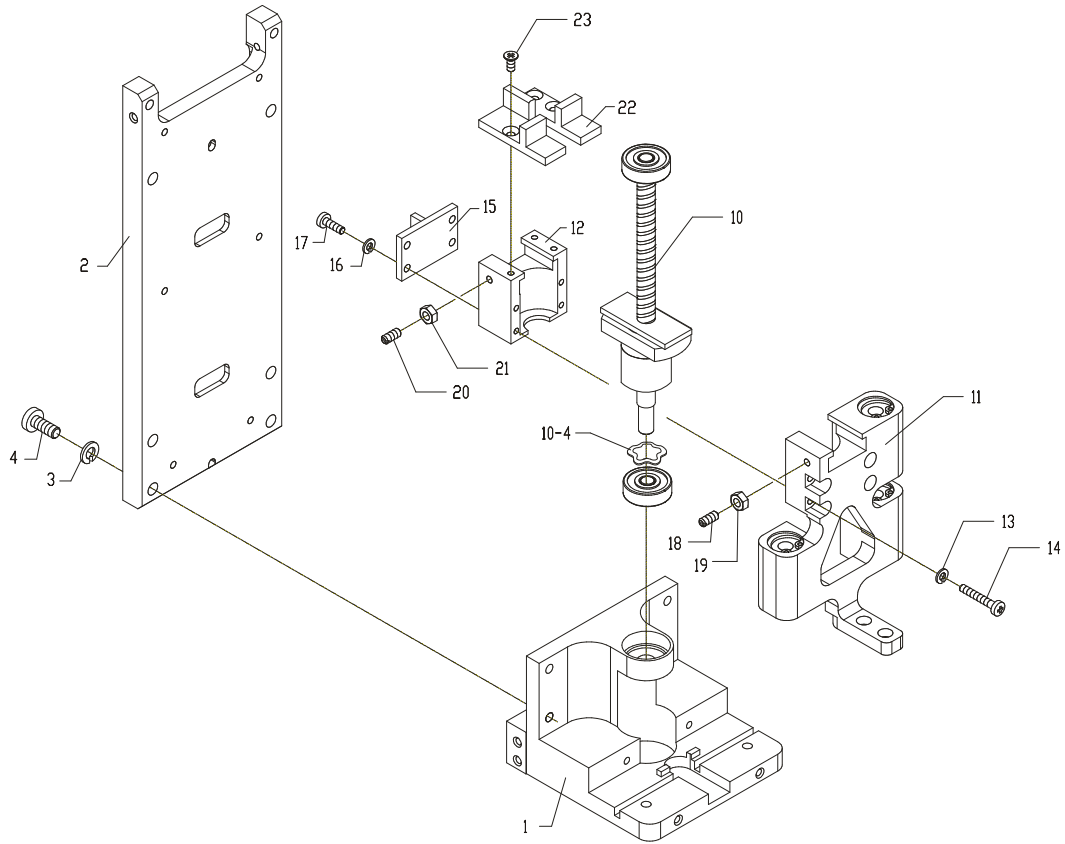
160-3

Fig. 15

16 Syringe Guide

Drawing No.: 00532143**Page: 170-1**

Pos.	Part No.	Description	Prod. No.
3	00109108	Springwasher	
4	00820365	Screw m4x10	
10	00532127	Spindle	
10-4	00531103	Spring	
11	00532135	Arm	
13	00435321	Springwasher	
14	00821835	Screw m2.5x16	
16	00435321	Springwasher	
17	00820118	Screw m2.5x08	
18	00531111	Push arm	
19	00153403	Nut	
20	00531111	Push arm	
21	00153403	Nut	
23	00821801	Screw	



00532143_IS 4.0 Dokument: 4FC.7.20

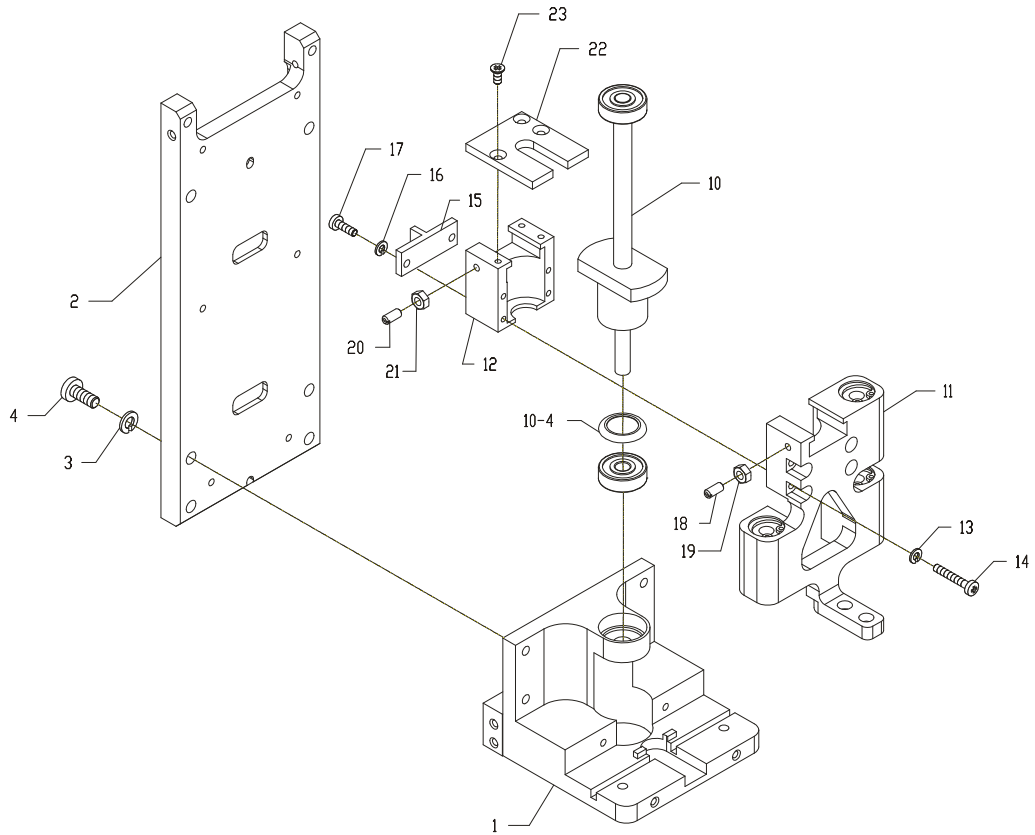
170

Fig. 16

17 Syringe Guide

Drawing No.: 00532101**Page: 175-1**

Pos.	Part No.	Description	Prod. No.
3	00109108	Springwasher	
4	00820365	Screw m4x10	
10	00532127	Spindle	
10-4	00531103	Spring	
11	00532135	Arm	
13	00435321	Springwasher	
14	00821835	Screw m2.5x16	
16	00435321	Springwasher	
17	00820118	Screw m2.5x08	
18	00531111	Push arm	
19	00153403	Nut	
20	00531111	Push arm	
21	00153403	Nut	
23	00821801	Screw	



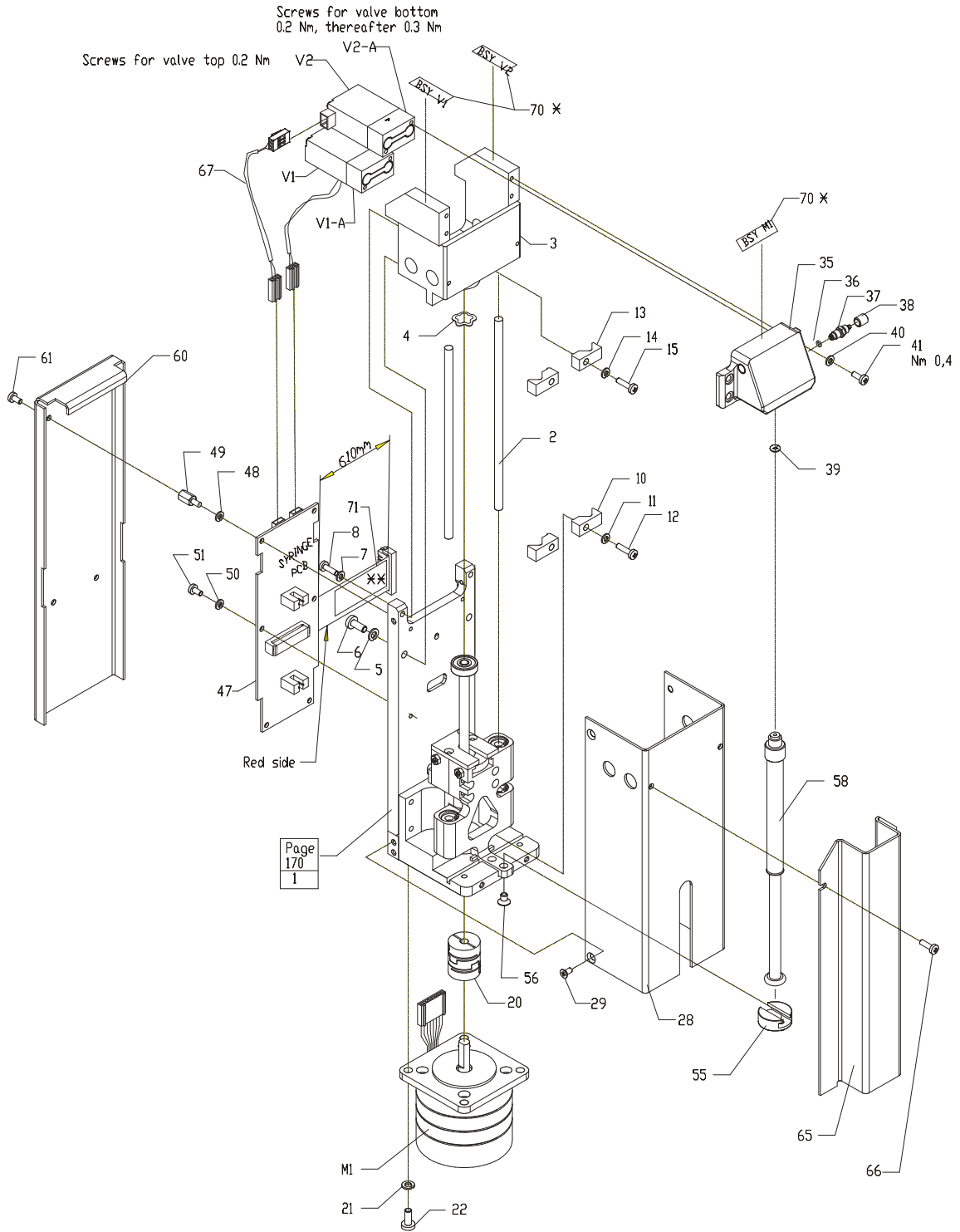
00532101_ISO	3.0	Dokument:	4FC.7.04
--------------	-----	-----------	----------

Fig. 17

18 Buffer Syring

Drawing No.: 60002276**Page: 180-1**

Pos.	Part No.	Description	Prod. No.
2	00530170	Axle	
4	00531103	Spring	
5	00109108	Springwasher	
6	00820365	Screw m4x10	
7	00299313	Washer	
8	00820225	Screw m3x10	
11	00299313	Washer	
12	00820233	Screw m3x12	
14	00299313	Washer	
15	00820233	Screw m3x12	
21	00109108	Springwasher	
22	00820365	Screw m4x10	
29	00821272	Screw m3x06	
35	60002025	Valve house	
36	00349407	O-ring	
37	00530295	Stub	
38	00219121	Union	
39	00218974	O-ring	
40	00296640	Washer	
41	00820225	Screw m3x10	
47	00588731	Pcb assy Syringe PCB FM FC	
48	00299313	Washer	
49	00227728	Stay	
50	00299313	Washer	
51	00820209	Screw m3x06	
55	00530188	Piston	
56	00821413	Screw m4x06	
58	00531145	Syringe 2,5 ml.	
58-A	00533596	Piston Top Kit	
61	00820209	Screw m3x06	
65	00530949	Screening	
66	00820225	Screw m3x10	
67	60000702	Cable Plug Valve	
M1	00531665	Stepmotor	
V1	60002291	Valve 3/2 way	
V1-A	01032424	Valve bottom	
V2	60002291	Valve 3/2 way	
V2-A	01032424	Valve bottom	



* Pos. 70. Text see dwg 60002326_kl no. 65, 66, 67

** Pos. 71. Text see dwg 60002326_kl no. 41

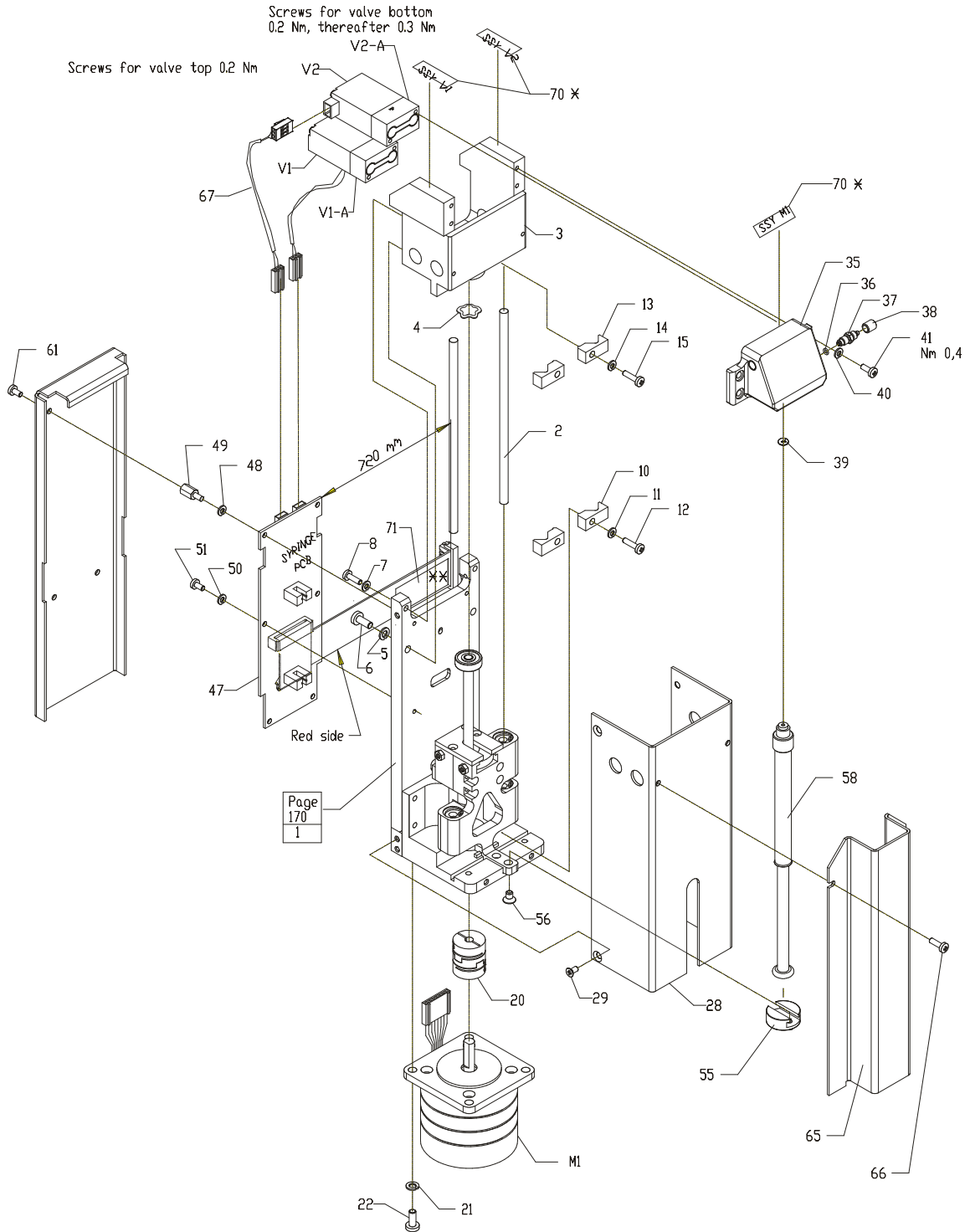
60002276_ISD 7.0 Dokument: 4FC.7.02

Fig. 18

19 Sample Syringe

Drawing No.: 60002277**Page: 190-1**

Pos.	Part No.	Description	Prod. No.
2	00530170	Axle	
4	00531103	Spring	
5	00109108	Springwasher	
6	00820365	Screw m4x10	
7	00299313	Washer	
8	00820225	Screw m3x10	
11	00299313	Washer	
12	00820233	Screw m3x12	
14	00299313	Washer	
15	00820233	Screw m3x12	
21	00109108	Springwasher	
22	00820365	Screw m4x10	
29	00821272	Screw m3x06	
35	60002025	Valve house	
36	00349407	O-ring	
37	00530295	Stub	
38	00219121	Union	
39	00218974	O-ring	
40	00296640	Washer	
41	00820225	Screw m3x10	
47	00588731	Pcb assy Syringe PCB FM FC	
48	00299313	Washer	
49	00227728	Stay	
50	00299313	Washer	
51	00820209	Screw m3x06	
55	00530188	Piston	
56	00821413	Screw m4x06	
58	00531145	Syringe 2,5 ml.	
58-A	00533596	Piston Top Kit	
61	00820209	Screw m3x06	
65	00530949	Screening	
66	00820225	Screw m3x10	
67	60000702	Cable Plug Valve	
M1	00531665	Stepmotor	
V1	60002291	Valve 3/2 way	
V1-A	01032424	Valve bottom	
V2	60002291	Valve 3/2 way	
V2-A	01032424	Valve bottom	



× Pos. 70. Text see dwg 60002326_kl No. 62, 63, 64
 XX Pos. 71. Text see dwg. 60002326_kl no. 42

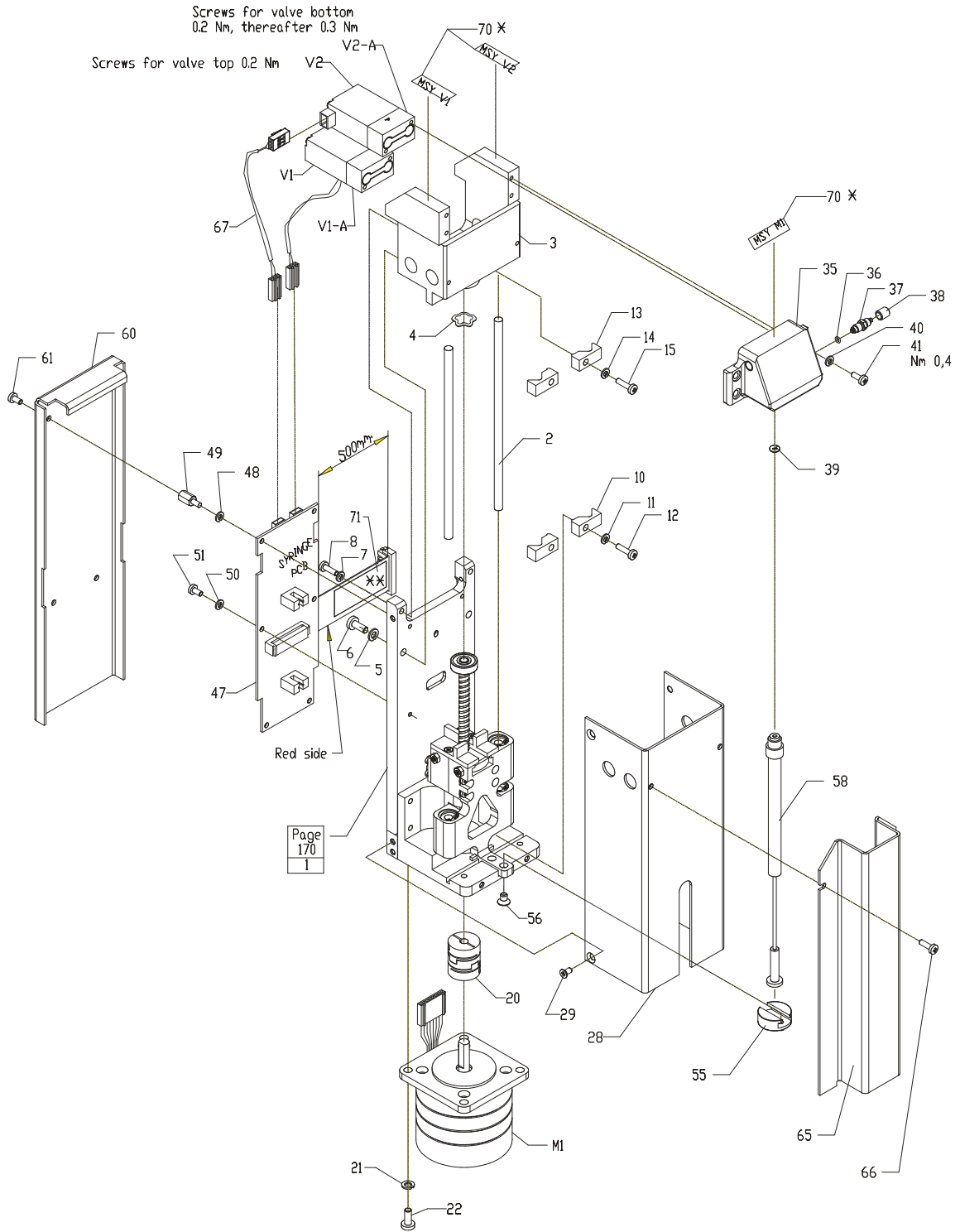
60002277_ISD 8.0 Dokument: 4FC.7.03

Fig. 19

20 Measuring Syringe

Drawing No.: 60002266**Page: 200-1**

Pos.	Part No.	Description	Prod. No.
2	00530170	Axle	
4	00531103	Spring	
5	00109108	Springwasher	
6	00820365	Screw m4x10	
7	00299313	Washer	
8	00820225	Screw m3x10	
11	00299313	Washer	
12	00820233	Screw m3x12	
14	00299313	Washer	
15	00820233	Screw m3x12	
21	00109108	Springwasher	
22	00820365	Screw m4x10	
29	00821272	Screw m3x06	
35	60002025	Valve house	
36	00349407	O-ring	
37	00530295	Stub	
38	00219121	Union	
39	00218974	O-ring	
40	00296640	Washer	
41	00820225	Screw m3x10	
47	00588731	Pcb assy Syringe PCB FM FC	
48	00299313	Washer	
49	00227728	Stay	
50	00299313	Washer	
51	00820209	Screw m3x06	
55	00530311	base	
56	00821413	Screw m4x06	
58	00531152	Syringe 0,25 ml	
61	00820209	Screw m3x06	
65	00530949	Screening	
66	00820225	Screw m3x10	
67	60000702	Cable Plug Valve	
M1	00531665	Stepmotor	
V1	60002291	Valve 3/2 way	
V1-A	01032424	Valve bottom	
V2	60002291	Valve 3/2 way	
V2-A	01032424	Valve bottom	



* Pos. 70. Text see dwg. 60002326_kl no. 68, 69, 70

** Pos. 71. Text see dwg. 60002326_kl no. 40

60002266_ISD 6.0 Dokument: 4FC.7.01

200

Fig. 20

21 Cuvette Clamp

Drawing No.: 60002297**Page: 250-1**

Pos.	Part No.	Description	Prod. No.
1	60002184	Cuvette inlet	
2	00534073	Union bottom	
3	00534156	Seeger-ring	
4	00513564	O-Ring	
5	60045931	Bottom fixture complete	60002295
5-1	60045932	Bottom fixture	60002294
5-2	00534065	O-ring	
5-3	00534057	O-ring	
5-4	00534909	Cable	
5-5	00060251	Silic. Comp.	
5-6	00140525	Allen screw	
5-7	00534040	Cap	
5-8	00349407	O-ring	
5-9	00530295	Stub	
5-10	00219121	Union	
6-1	00533463	Cuv. house	
6-2	00524165	Clamp	
6-3	00531822	O-ring	
6-4	00524173	Spring	
6-5	00532663	Washer	
6-6	00524058	Union top	
6-7	00531806	Seeger-ring	
6-8	00530295	Stub	
6-9	00349407	O-ring	
6-10	00219121	Union	
6-11	00398297	Lubricant	
7	60001915	Flow-Trough Cell w/reflector	
9	00302851	O-ring ø010.00xø1.30	

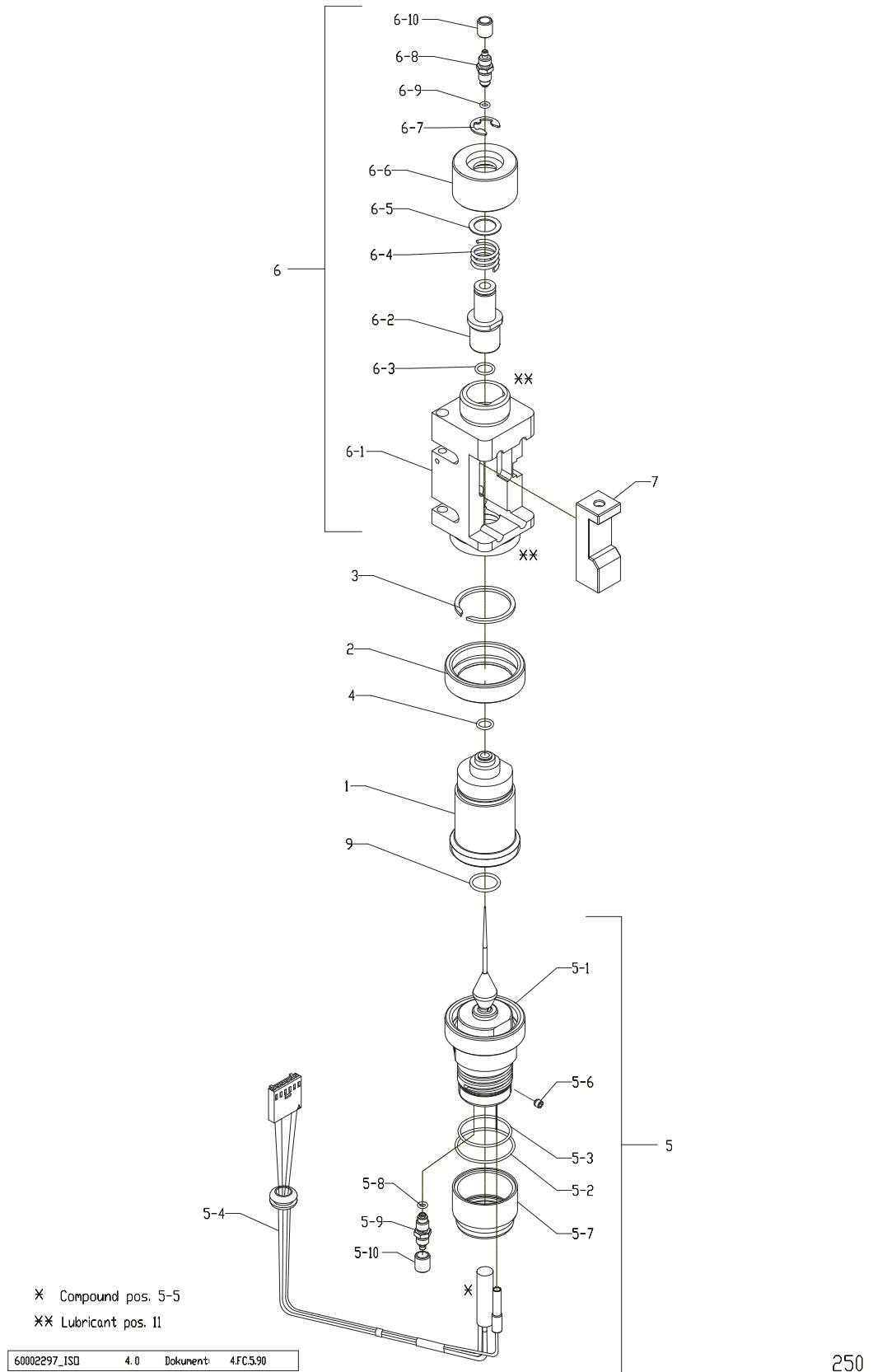
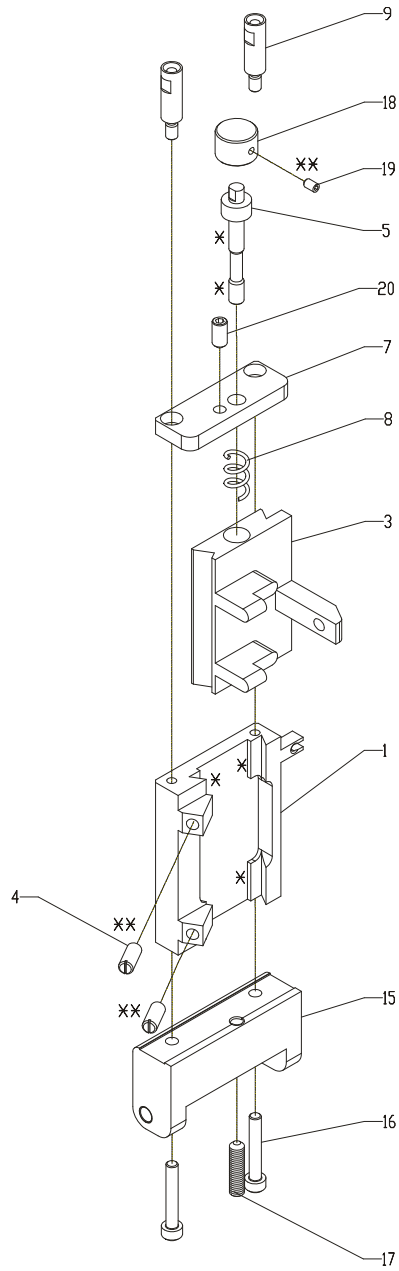


Fig. 21

22 Vertical Adjustment

Drawing No.: 60002290 *Page: 260-1*

Pos.	Part No.	Description	Prod. No.
2	00398297	Lubricant	
6	00398297	Lubricant	
8	00524082	Spring	
16	00201137	Allen screw	
17	00423046	Screw	
19	00417196	Allen screw	
20	00531798	Screw	
25	00148163	Glue loc. 242	



X Lubricant pos. 2 and pos. 6
 XX Glue with locite 242 pos. 25

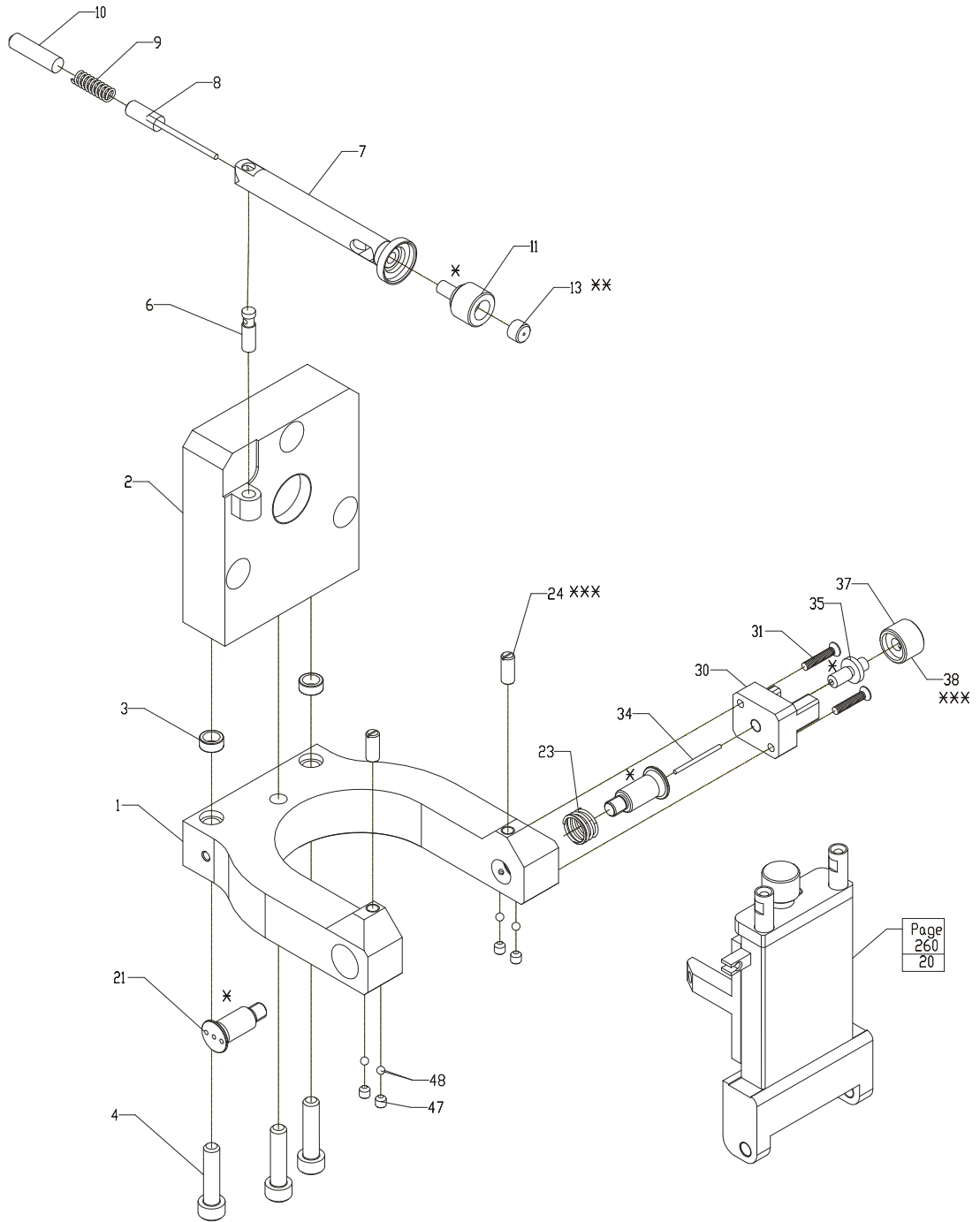
60002290_ISO	2.0	Dokument	4FC59I
--------------	-----	----------	--------

Fig. 22

23 Horizontal Adjustment

Drawing No.: 60002293**Page: 270-1**

Pos.	Part No.	Description	Prod. No.
4	00531889	Allen screw	
7	00533398	Arm	
8	00531731	Pressure pad	
9	00531749	Spring	
10	00531087	Pressure pad	
11	00531756	Adjustment screw	
12	00398297	Lubricant	
13	00531061	Knob	
14	00183137	Glue loc. 270	
21	60002186	Fitted bolt	
22	00398297	Lubricant	
23	60002339	Pressure spring	
24	00531764	Push arm	
25	00148163	Glue loc. 242	
31	00821322	Screw m3x16	
34	60002350	Pin	
39	00148163	Glue loc. 242	
47	00101733	Allen screw	



* Lubricant pos. 12, 22 and pos. 36
 ** Glue with loctite 270 pos. 14
 *** Glue with loctite 242 pos. 25 and pos. 39

60002293_ISD	2.1	Dokument:	4FC5.92
--------------	-----	-----------	---------

Page
260
20

270

Fig. 23

24 Cuvette Unit

Drawing No.: 60002298 Page: 280-1

Pos.	Part No.	Description	Prod. No.
3	00533471	Push arm	
4	00531780	Objective	

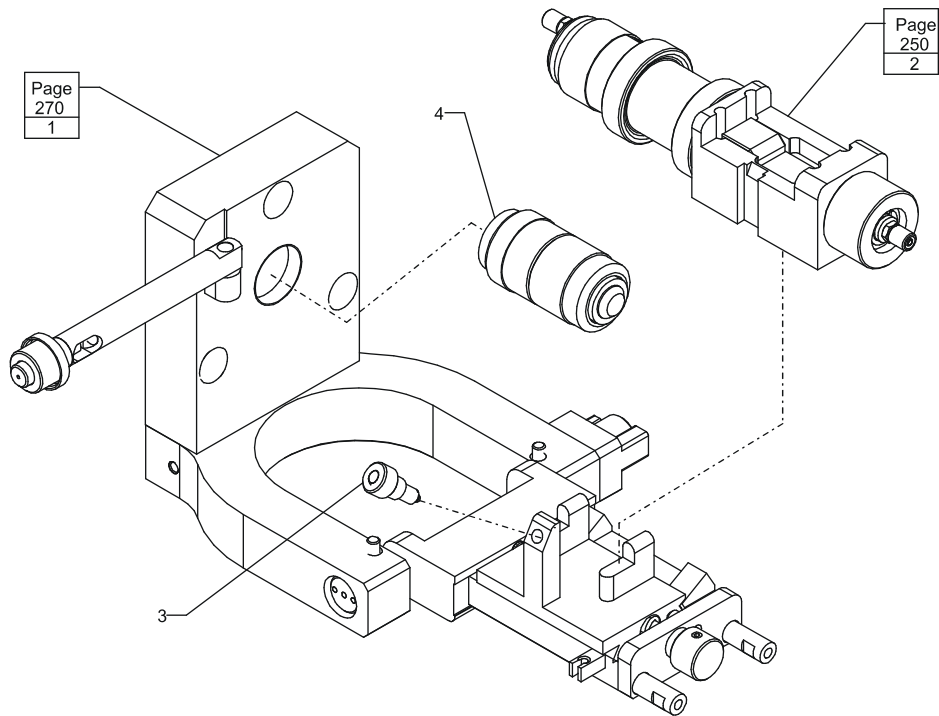
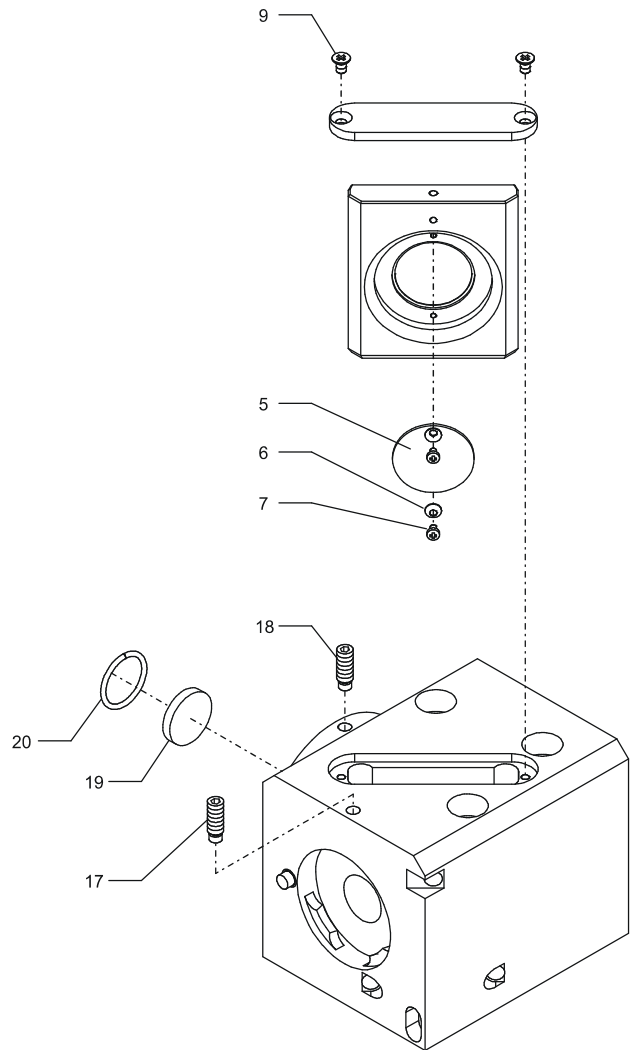


Fig. 24

25 Microscope

Drawing No.: 00532150**Page: 290-1**

Pos.	Part No.	Description	Prod. No.
5	00218230	Filter	
6	00524520	Washer	
7	00820001	Screw m2x03	
9	00821280	Screw M3x8	
17	00336347	Spec. Screw	
18	00336347	Spec. Screw	
19	00531871	Filter	
20	00209452	O-ring	



00532150_IS 2.0 Dokument: 4.FC.7.09

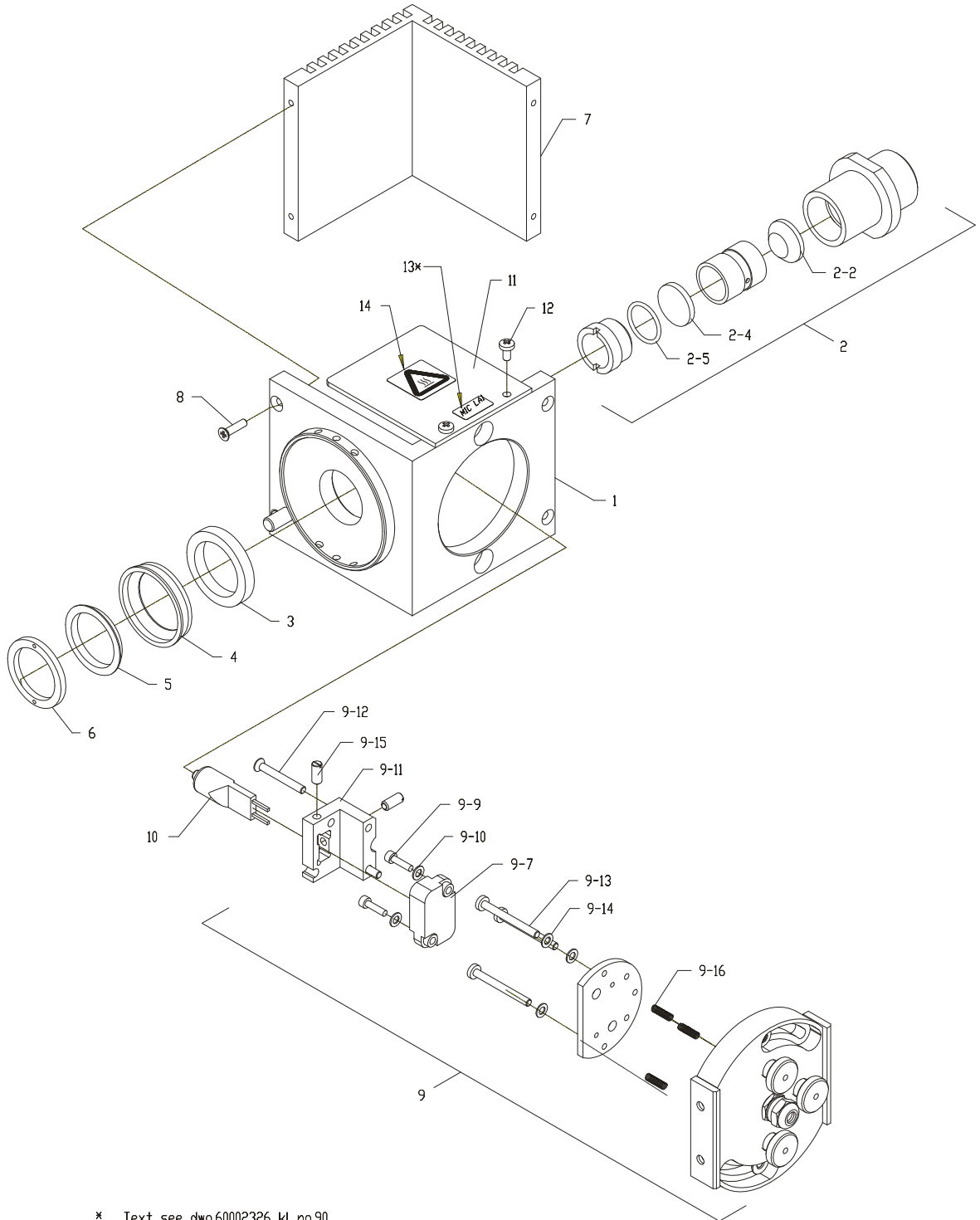
290

Fig. 25

26 Lamp Unit

Drawing No.: 00530840**Page: 300-1**

Pos.	Part No.	Description	Prod. No.
2-2	00284646	Lens	
2-4	00525329	Filter	
2-5	00525337	O-ring	
8	00821306	Screw m3x12	
9-7	00525261	Lamp Socket	
9-9	00373365	Allen Screw M2.5x10	
9-10	00012757	Washer	
9-11	00524629	Lamp holder	
9-12	00821363	Screw m3x25	
9-13	00820290	Screw m3x30	
9-14	00012757	Washer	
9-15	00400820	Lock	
9-16	00152215	Spring	
10	00525295	Lamp	
12	00820209	Screw m3x06	



* Text see dwg.60002326_kl no.90

00530840_IS	7.0	Dokument:	4.FC.7.10
-------------	-----	-----------	-----------

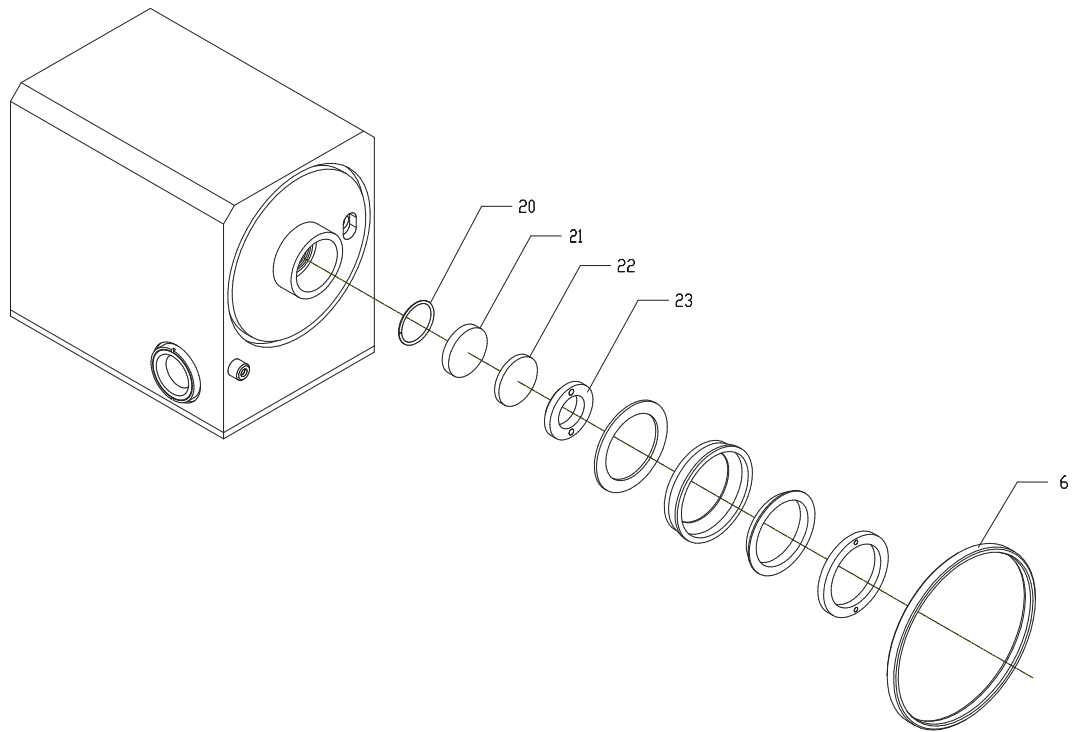
300

Fig. 26

27 Detector Unit

Drawing No.: 00530717 Page: 310-1

Pos.	Part No.	Description	Prod. No.
6	00716282	Spacer ring	
20	00369835	O-ring	
21	00533448	Filter	
22	00533455	Filter	
23	00530683	Nut	



00530717_IS 3.0 Dokument: 4FC.7.08

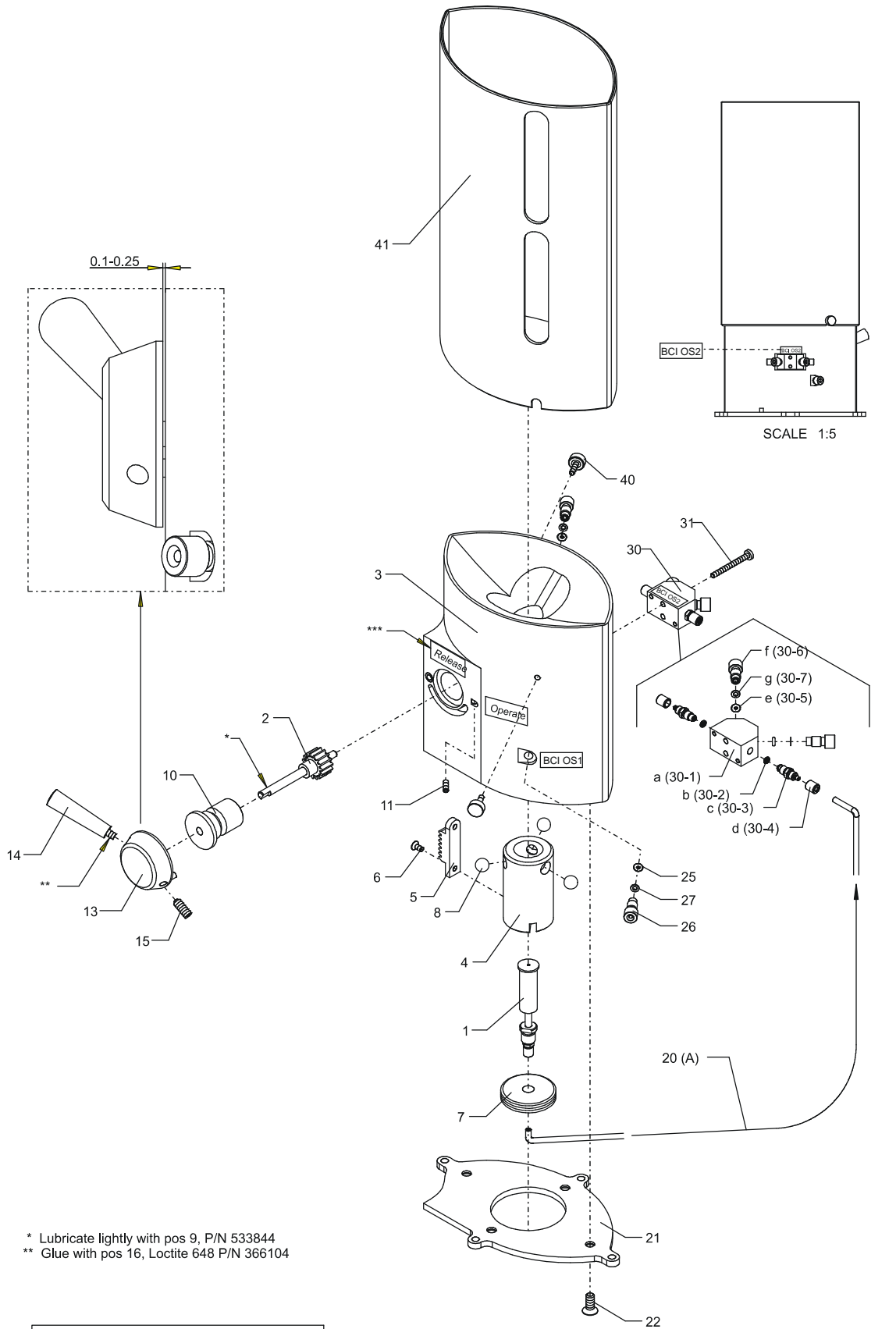
310

Fig. 27

28 Concentrate Interface

Drawing No.: 00530550**Page: 340-1**

Pos.	Part No.	Description	Prod. No.
1	00533000	Cannula	
2	00532986	Gear wheel cpl	
3	00533018	Buttom	
5	00532325	Tooth rack	
6	00821272	Screw m3x06	
8	00060723	Ball	
9	00398297	Lubricant	
10	00532374	Shaft Bearing	
11	00417311	Allen Screw	
13	00532382	Hub	
14	00533034	Handle	
15	00140806	Allen Screw	
16	00366104	Glue loc. 648	
20	60045809	Tube Tygon	00183103
22	00821553	Screw m5x12	
25	00528612	O-ring	
26	00523886	Holder	
30-1	00530485	House	
30-2	00349407	O-ring	
30-3	00530295	Stub	
30-4	00219121	Union	
30-5	00528612	O-ring	
30-6	00523886	Holder	
30-7	00528620	Washer	
31	00820290	Screw m3x30	
40	00219253	Screw	
41	00528059	Screen	



* Lubricate lightly with pos 9, P/N 533844
 ** Glue with pos 16, Loctite 648 P/N 366104

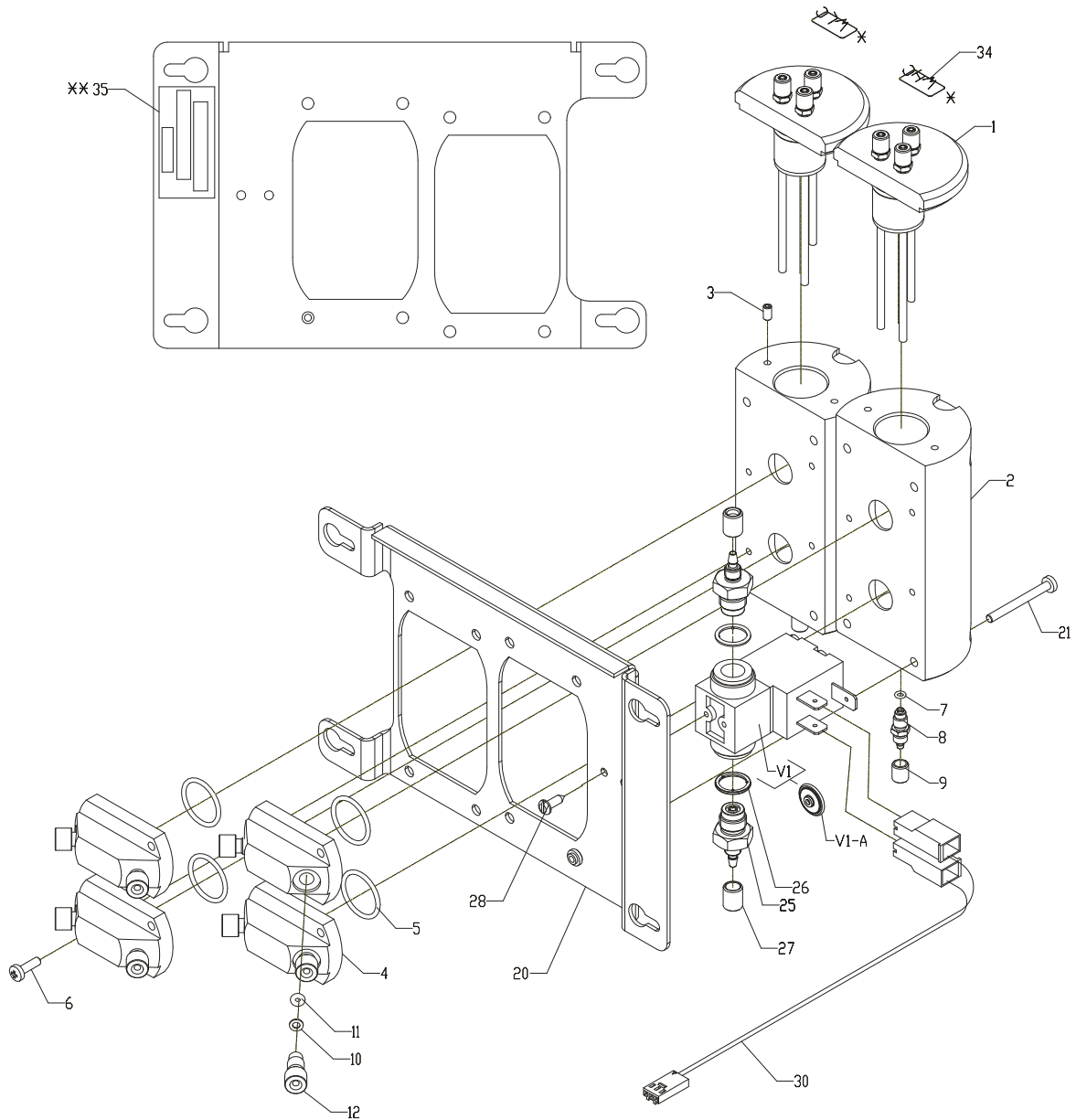
00530550_JS 3.0 Dokument: 4.FE.5.49

Fig. 28

29 Waste Unit

Drawing No.: 60002300**Page: 350-1**

Pos.	Part No.	Description	Prod. No.
1	60002302	Lid cpl.	
1-3	00209452	O-ring	
1-4	00349407	O-ring	
1-5	00530295	Stub	
1-6	00219121	Union	
2	00551986	Sheath liquid waste chamber	
3	00144592	Allen screw	
4	00556928	Optical eye	
5	00209452	O-ring	
6	00820225	Screw m3x10	
7	00349407	O-ring	
8	00530295	Stub	
9	00219121	Union	
10	00528620	Washer	
11	00528612	O-ring	
12	00523886	Holder	
21	00820290	Screw m3x30	
25	01011094	Union	
26	60002258	Sealing ring	
27	00495135	Union	
28	00011379	Screw	
30	01030757	Cable, CAB-V1	
V1	00246371	Valve	
V1-A	01015801	Membrane for 2/2 w. magnetsystem	



* Text see dwg. 60002326_kl no. 72 and 76

** Text see dwg. 60002326_kl no. 142

60002300_ISD	4.1	Dokument:	4FC.5.96
--------------	-----	-----------	----------

350

Fig. 29

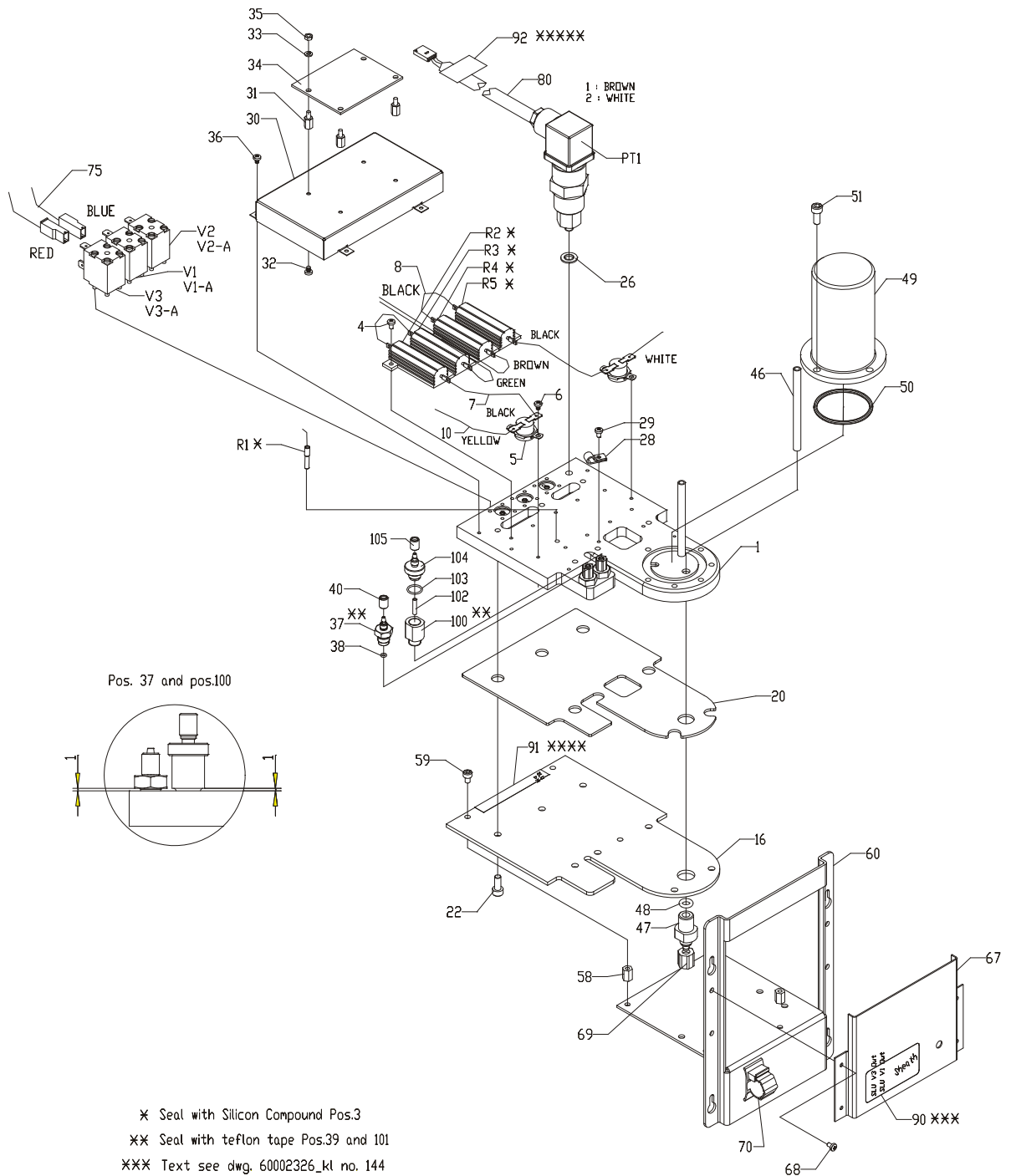
30 Sheath Liquid Unit

Drawing No.: 60002161

Page: 360-1

Pos.	Part No.	Description	Prod. No.
1	60046124	Manifold w. tube	01010967
3	00060251	Silic. Comp.	
4	00820191	Screw m3x05	
5	00234898	Thermostat	
6	00820183	Screw m3x04	
16	00551804	Plate for manifold	
20	00556274	Gasket	
22	00202614	Allen screw M5x12	
26	60004791	Usit-ring ø06.86xø13.21x1.22	
28	00053207	Nylon clamp	
29	00820191	Screw m3x05	
31	00227728	Stay	
32	00820183	Screw m3x04	
33	00299313	Washer	
34	00588590	Pcb assy Pump Connection PCB FM FC	
35	00153403	Nut	
36	00820183	Screw m3x04	
37	01011094	Union	
38	00198499	O-ring	
39	00062190	Teflon tape	
40	00495135	Union	
46	00549808	Nozzle	
47	00555219	Union	
48	00556308	O-ring	
49	00549790	Chamber	
50	00556290	O-ring	
51	00202614	Allen screw M5x12	
59	00256701	Allen screw	
60	00551812	Chassis	
68	00820191	Screw m3x05	
75	00556324	Cable assembly	
80	00556340	Cable assembly	
100	60015534	Filterhouse	
101	00062190	Teflon tape	
102	00844951	Filter	
103	00302851	O-ring ø010.00xø1.30	
104	00532861	Union	
105	00495135	Union	
PT01	60002882	Press. transmitter	
R1	00556266	Cable assembly	
R2	00551648	Resistor	
R3	00551648	Resistor	
R4	00551648	Resistor	
R5	00551648	Resistor	
V1	00337535	Magnet valve	
V1-A	00461749	Service kit	
V2	00337535	Magnet valve	
V2-A	00461749	Service kit	
V3	00337535	Magnet valve	

V3-A 00461749 Service kit



- * Seal with Silicon Compound Pos.3
- ** Seal with teflon tape Pos.39 and 101
- *** Text see dwg. 60002326_kl no. 144
- **** Text see dwg. 60002326_kl no. 146
- ***** Text see dwg. 60002326_kl no. 16

60002161_ISD 10.1 Dokument: 4FC.5.99

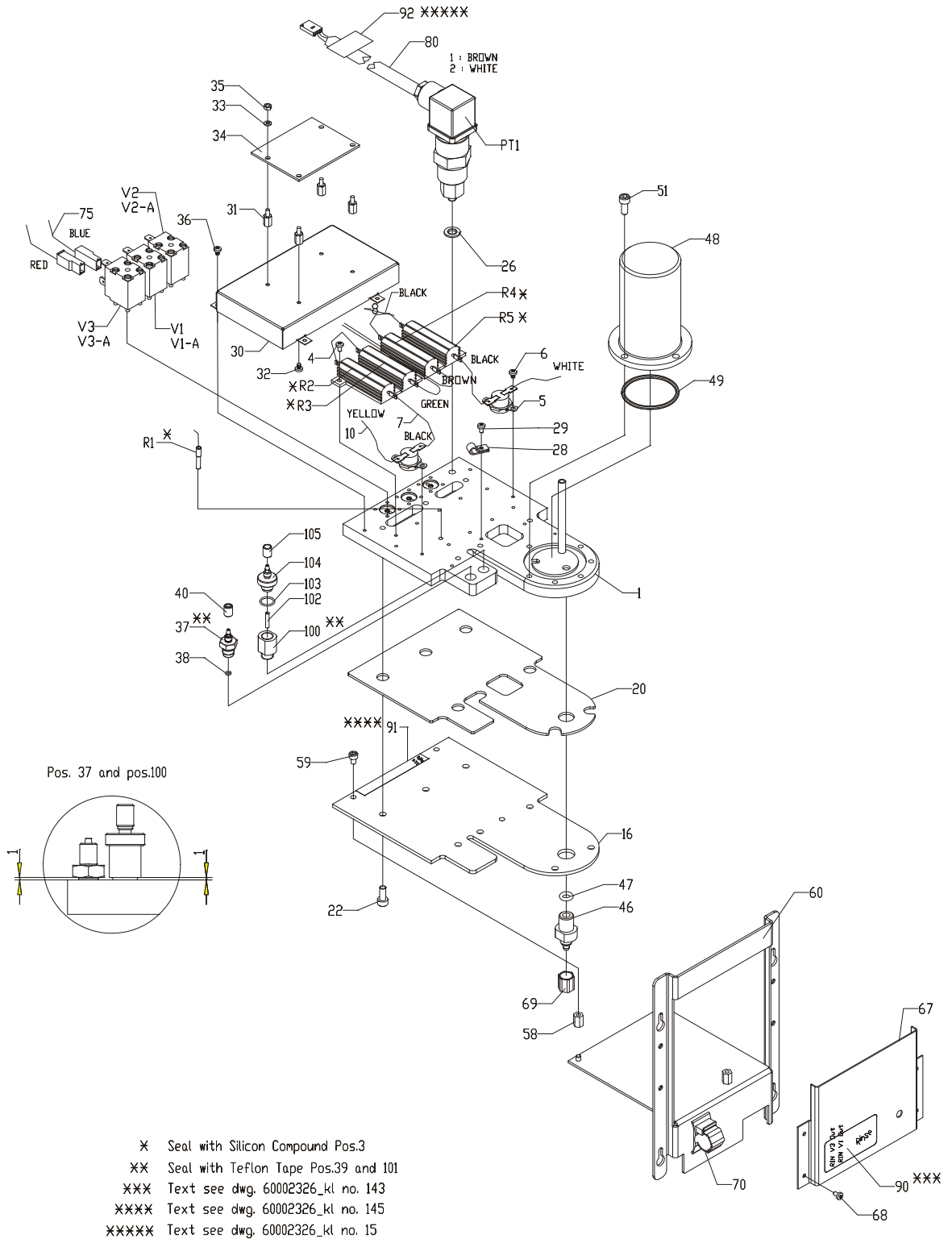
360

Fig. 30

31 Rinse Liquid Unit

Drawing No.: 60002162 **Page:** 370-1

Pos.	Part No.	Description	Prod. No.
1	60046124	Manifold w. tube	01010967
3	00060251	Silic. Comp.	
4	00820191	Screw m3x05	
5	00234898	Thermostat	
6	00820183	Screw m3x04	
16	00551804	Plate for manifold	
20	00556274	Gasket	
22	00202614	Allen screw M5x12	
26	60004791	Usit-ring ø06.86xø13.21x1.22	
28	00053207	Nylon clamp	
29	00820191	Screw m3x05	
31	00227728	Stay	
32	00820183	Screw m3x04	
33	00299313	Washer	
34	00588590	Pcb assy Pump Connection PCB FM FC	
35	00153403	Nut	
36	00820183	Screw m3x04	
37	01011094	Union	
38	00198499	O-ring	
39	00062190	Teflon tape	
40	00495135	Union	
46	00549782	Union	
47	00556308	O-ring	
49	00556290	O-ring	
51	00202614	Allen screw M5x12	
59	00256701	Allen screw	
60	60045544	Chassis assy, Rinse liquid	
68	00820191	Screw m3x05	
75	00556324	Cable assembly	
80	00556340	Cable assembly	
100	60015534	Filterhouse	
101	00062190	Teflon tape	
102	00844951	Filter	
103	00302851	O-ring ø010.00xø1.30	
104	00532861	Union	
105	00495135	Union	
PT01	60002882	Press. transmitter	
R1	00556266	Cable assembly	
R2	00551648	Resistor	
R3	00551648	Resistor	
R4	00551648	Resistor	
R5	00551648	Resistor	
V1	00337535	Magnet valve	
V1-A	00461749	Service kit	
V2	00337535	Magnet valve	
V2-A	00461749	Service kit	
V3	00337535	Magnet valve	
V3-A	00461749	Service kit	



60002162_ISD 12.0 Dokument: 4.FC.5.98

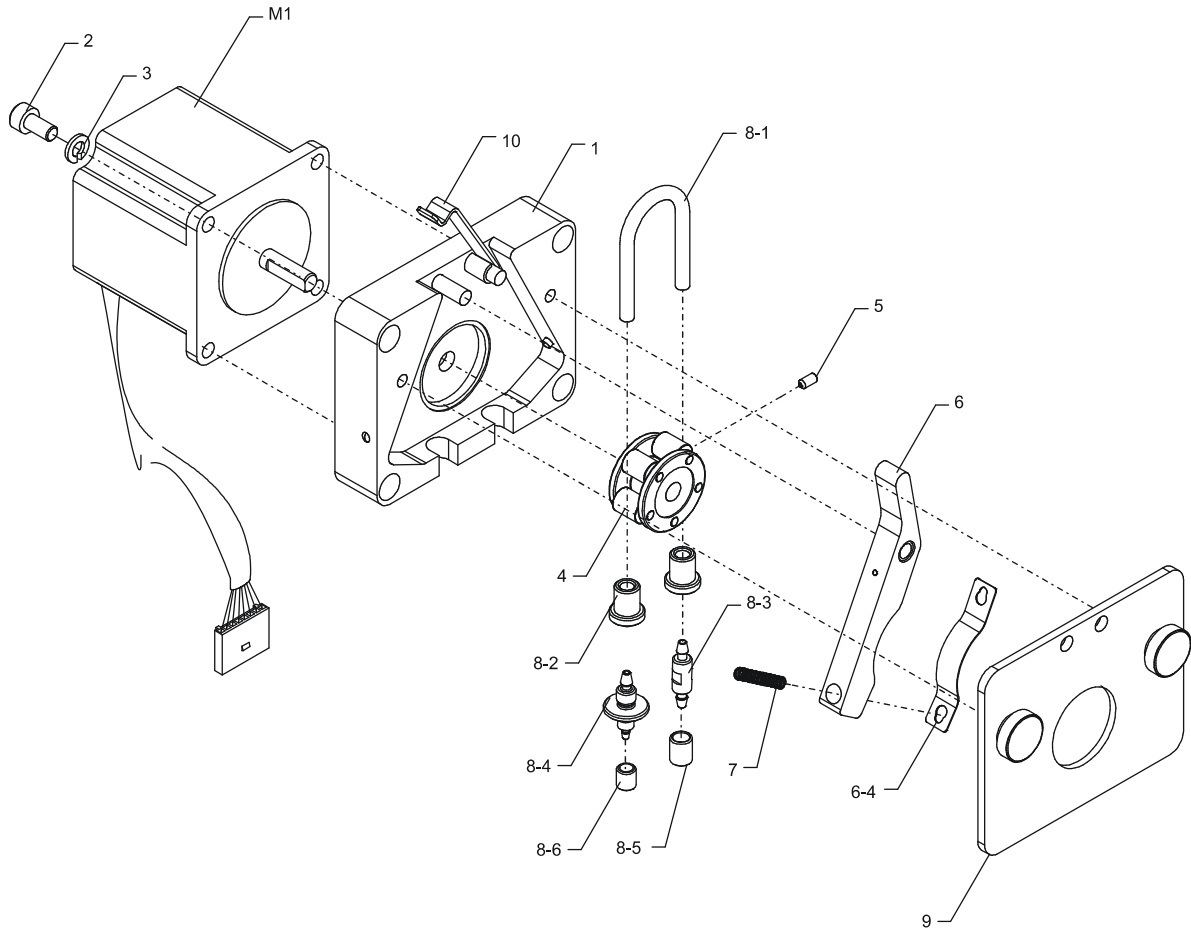
370

Fig. 31

32 Tube Pump

Drawing No.: 60002259**Page: 380-1**

Pos.	Part No.	Description	Prod. No.
2	00231837	Allen screw M5x10	
3	00357897	Springwasher	
4	00523928	Roller cpl.	
5	00144592	Allen screw	
6	00495689	Yoke cpl.	
6-4	00495085	Band	
7	00495739	Spring	
8	01030776	Tubing	
8-1	00400754	Marprene Ø2.8/4.4	
8-2	00495481	Union	
8-3	00523944	Stub	
8-4	01015329	Stub	
8-5	00495135	Union	
8-6	00219121	Union	
9	00528356	Lid	
10	00528463	Relief	
M1	01024401	Motor	



60002259_JS 1.3 Dokument: 4,FC,6,84

380

Fig. 32

33 Mixing Chamber

Drawing No.: 00530030 **Page:** 390-1

Pos.	Part No.	Description	Prod. No.
1	00530006	Angle	
2	00531921	O-ring	
3	00531939	O-ring	
4	00530014	Mixing Chamber	
5	00820548	Screw m5x12	
6	00349407	O-ring	
7	00530295	Stub	
8	00219121	Union	
9	00349407	O-ring	
10	00530295	Stub	
11	00219121	Union	
12	60045809	Tube Tygon	00183103
13	00349407	O-ring	
14	00530295	Stub	
15	00219121	Union	
16	00528612	O-ring	
17	00523886	Holder	
18	00528620	Washer	
20	00530022	Lid	
21	00531913	U-gasket	
23	00417196	Allen screw	
24	00531012	Washer	
26	00530071	Stirrer	
27	00820209	Screw m3x06	
29	00820282	Screw m3x25	
30	00531905	O-ring	
31	00349407	O-ring	
32	00530295	Stub	
33	00219121	Union	
34	00820217	Screw m3x08	
M1	00531277	Motor	
V1	00531947	Magnet Valve	
V1-A	01032360	Rep. kit valve 3/2	
V2	00531947	Magnet Valve	
V2-A	01032360	Rep. kit valve 3/2	
V3	00532671	Magnet Valve	
V3-A	01032359	Rep. kit valve 2/2	

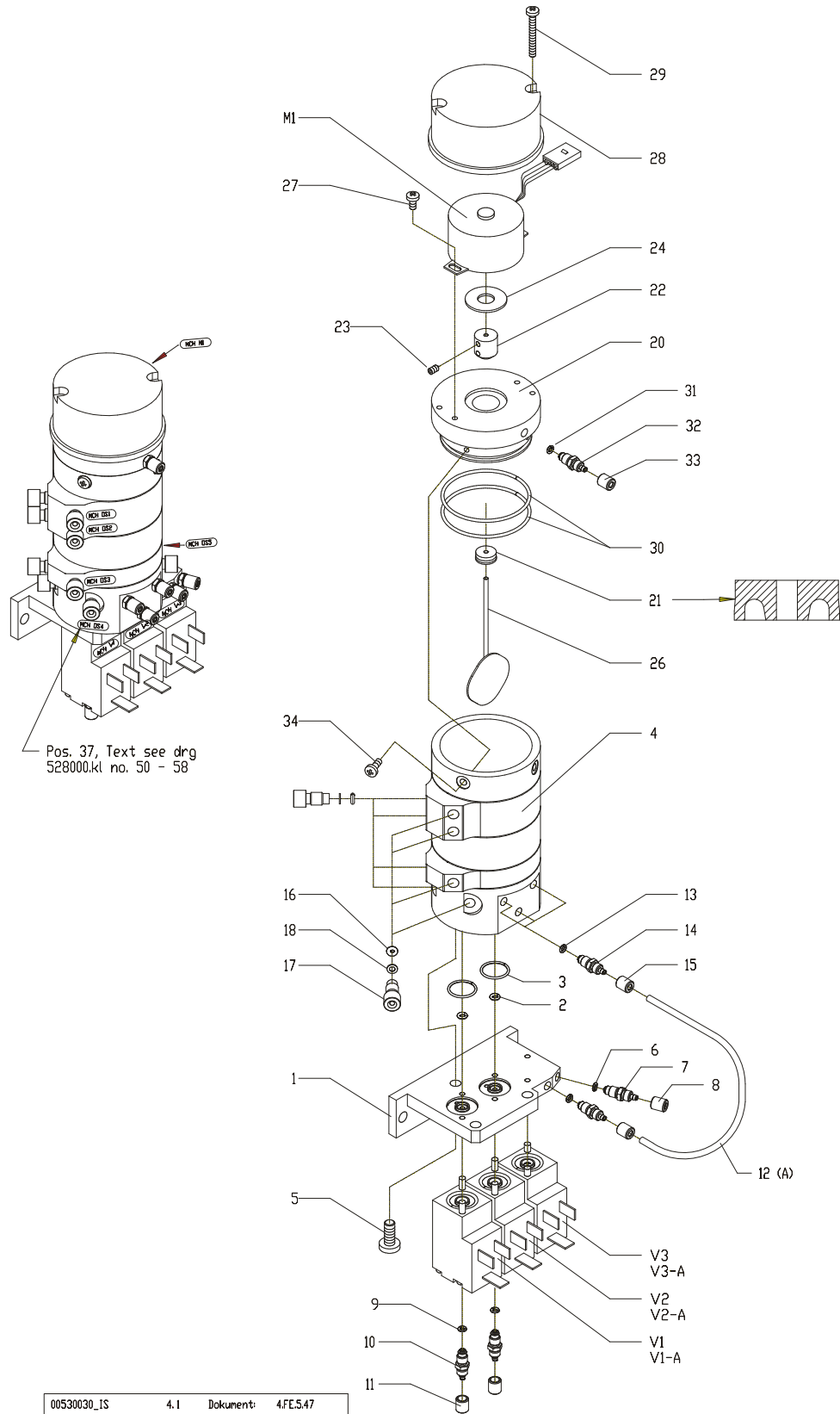
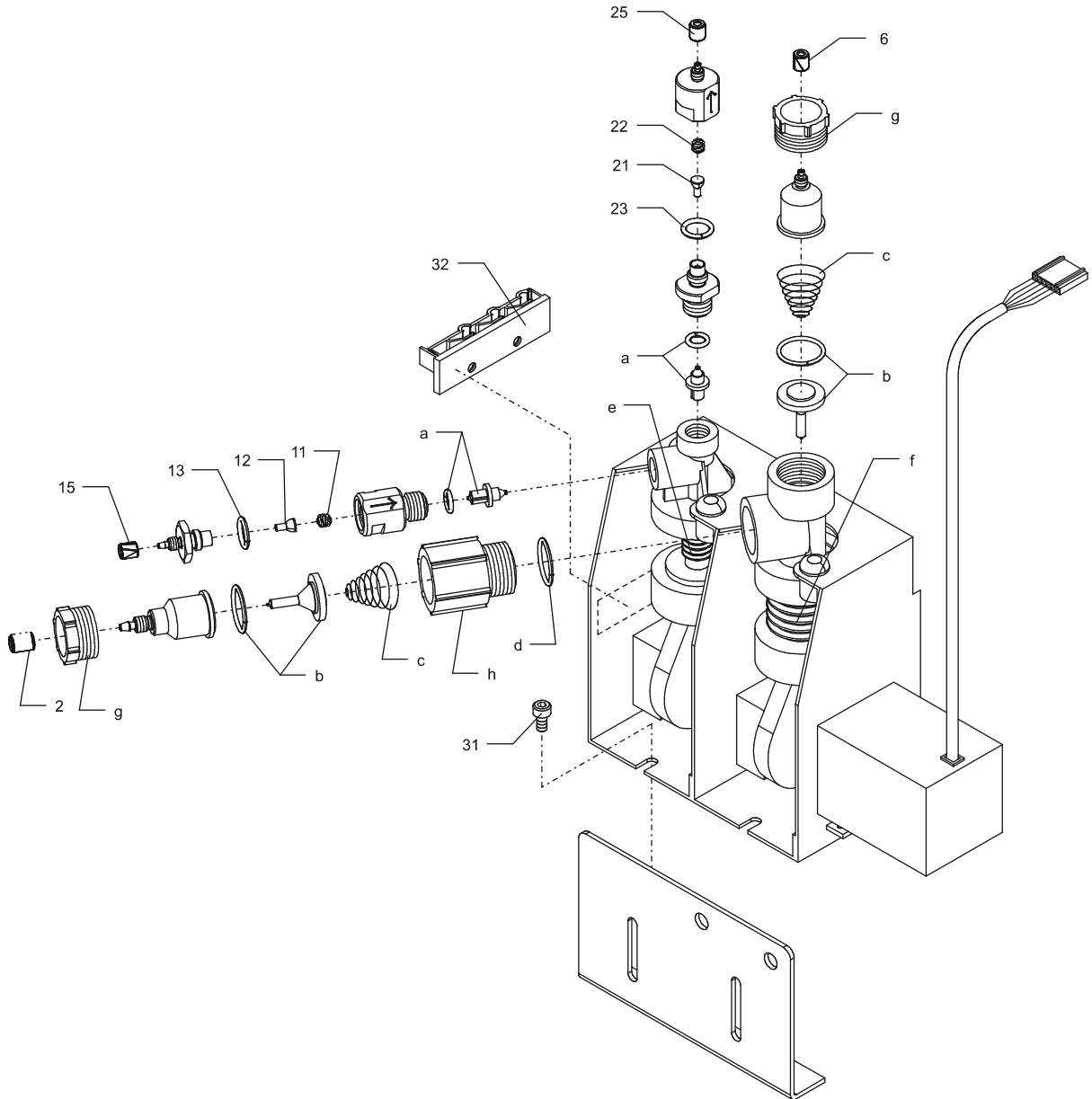


Fig. 33

34 Mixing Pump

Drawing No.: 00531210**Page: 400-1**

Pos.	Part No.	Description	Prod. No.
1	00532838	Hose connection	
2	00495135	Union	
5	00532846	Stub	
6	00219121	Union	
10	00532820	Valve house	
11	00439570	Spring	
12	00106047	Valve cone	
13	00054122	O-ring	
14	00284612	Valve seat	
15	00219121	Union	
20	00532812	Valve seat	
21	00106047	Valve cone	
22	00439570	Spring	
23	00054122	O-ring	
24	00532697	Valve house	
25	00219121	Union	
31	00710624	Allen screw	
32	00452227	Cable holder	
M1	00531327	Pump	
M1-1-A	00533695	Valves	
M1-1-B	00533703	Valves	
M1-1-C	00533661	Spring	
M1-1-D	00533687	O-ring	
M1-1-E	00533679	Bellows	
M1-1-F	00533653	Bellows	
M1-1-G	01015325	Union	
M1-1-H	01015326	Union	



00531210_JS 4.0 Dokument: 4.FC.7.21

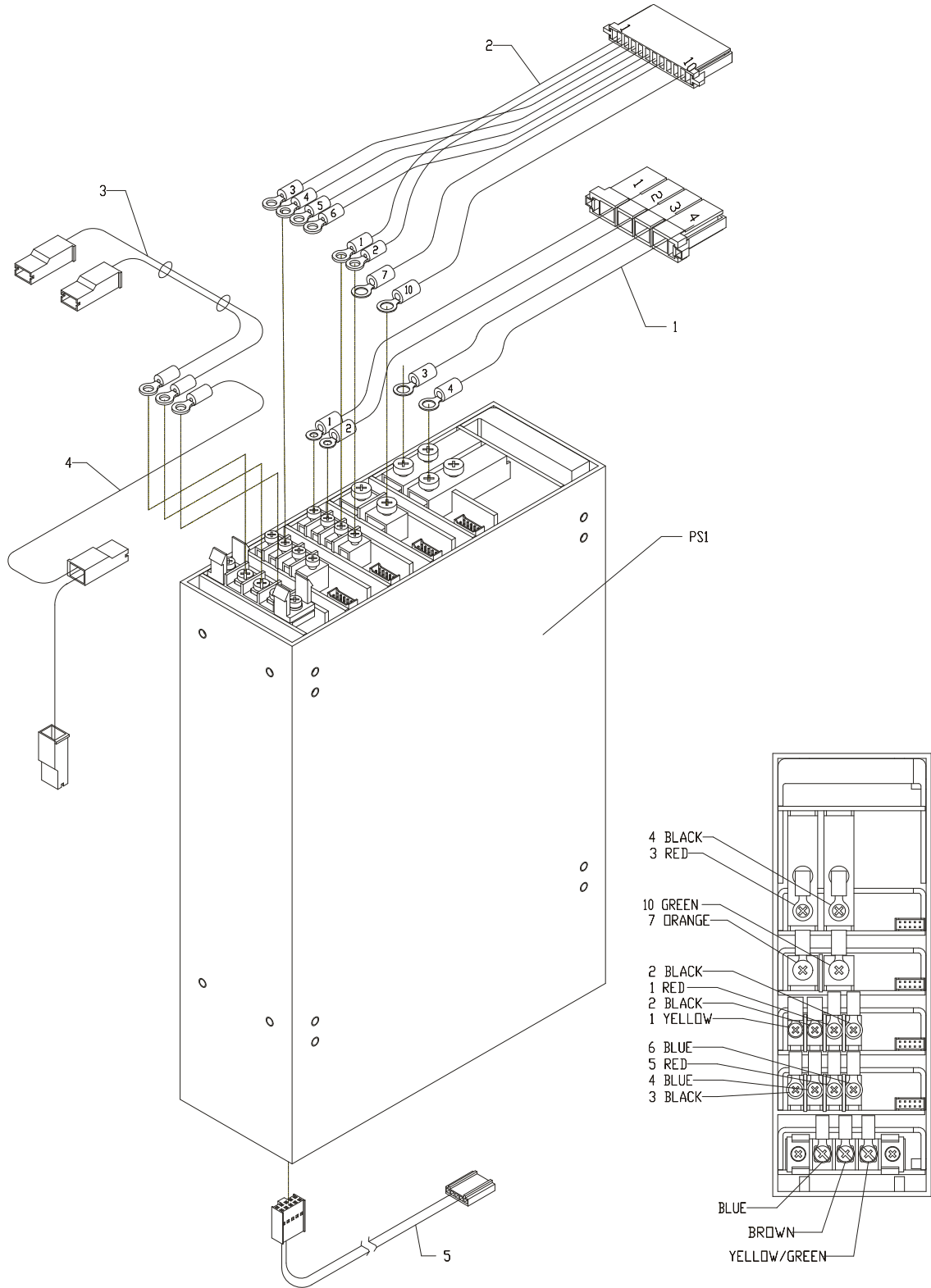
400

Fig. 34

35 Power Supply Unit

Drawing No.: 60038170 Page: 410-1

Pos.	Part No.	Description	Prod. No.
1	60038171	Cable 1 PSU - Power Conn.	
2	60038172	Cable 2 PSU - Power Conn.	
3	60038175	Cable PSU - L+N / Filter	
4	60038174	Cable PSU - GND / Filter	
5	60038173	Cable PSU/Power good-Power Conn.	
PS01	60038169	Power Supply Astec IMP8, 1000W AC/DC	



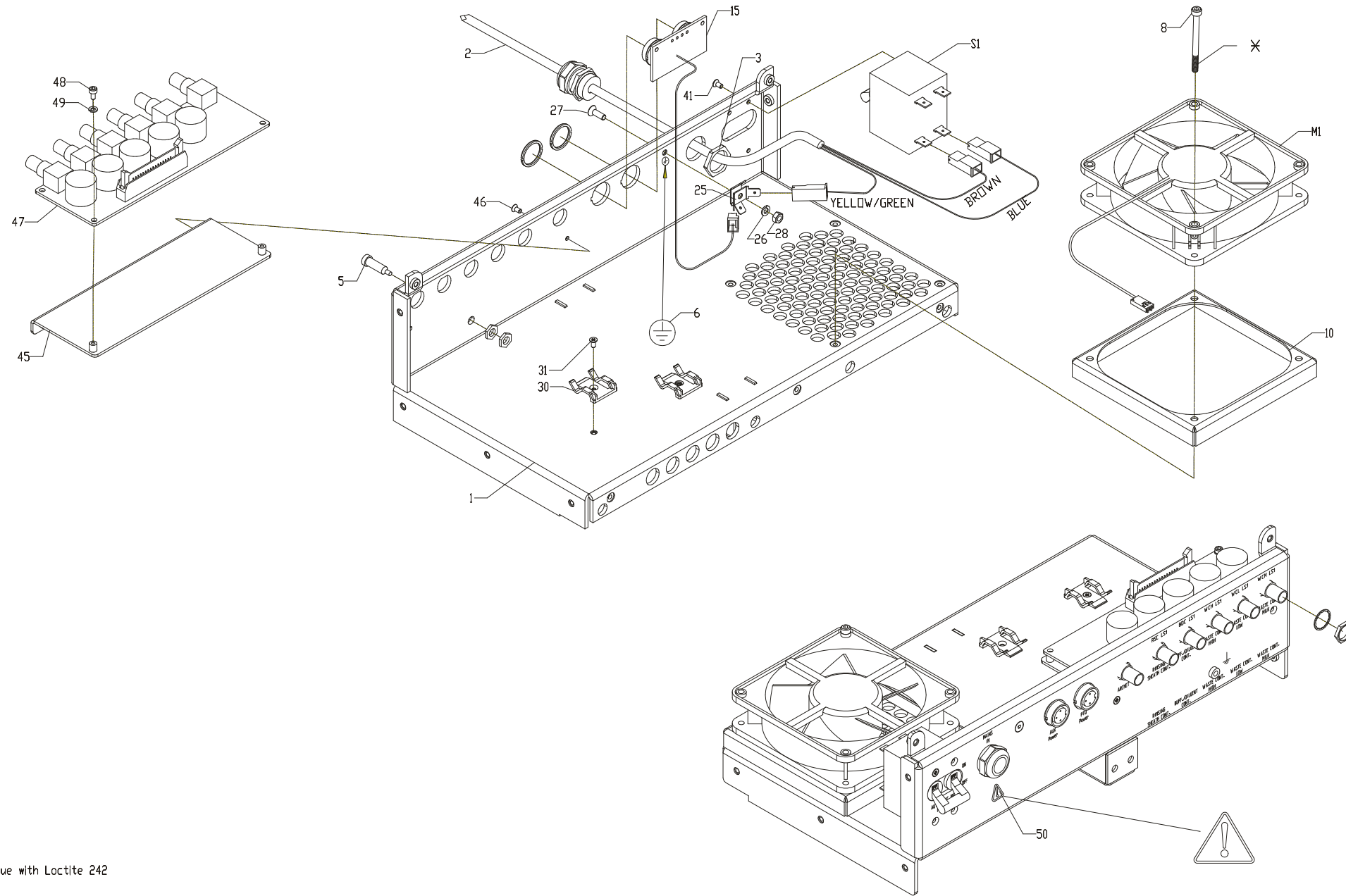
60038170_95 3.1 Dokument: 60038170_95

Fig. 35

36 El Base Plate

Drawing No.: 60002306**Page: 415-1**

Pos.	Part No.	Description	Prod. No.
2	01011013	Power cable	
3	00046458	Nut pg11	
6	00518779	Label	
8	00217851	Screw m4x50	
15	00588673	Pcb assy Pip/Conv Power PCB FM FC	
25	00277137	Spade	
26	00109108	Springwasher	
27	00277772	Allen screw M4x10	
28	00051433	Nut m4	
41	00821272	Screw m3x06	
46	00821272	Screw m3x06	
47	00588574	Pcb assy Arcnet/Liquid Sensor PCB FM FC	
48	00227348	Allen screw M3x6	
49	00299313	Washer	
M1	01030758	Fan CAB-M1	
S1	00517409	Fuse/Switch	



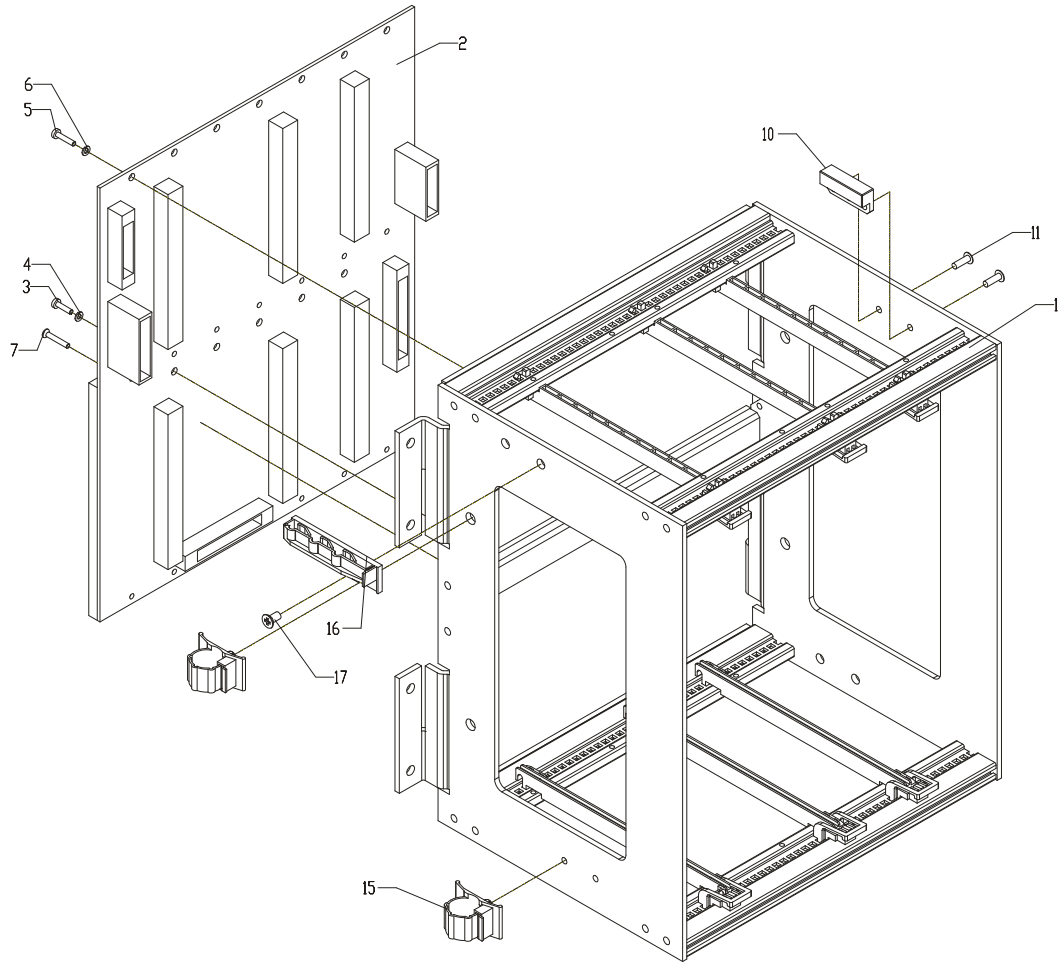
× Pos 9. Glue with Loctite 242

60002306_ISD 5.0 Dokument 3FM2.91

Fig. 36

37 El Rack Unit**Drawing No.: 60002307****Page: 420-1**

Pos.	Part No.	Description	Prod. No.
2	00588558	Pcb assy Mother Board PCB FM FC	
3	00820126	Screw	
4	00435321	Springwasher	
5	00821827	Screw m2.5x12	
6	00435321	Springwasher	
7	00556126	Screw m2.5x16	
15	00363218	Cable holder	
16	00452227	Cable holder	



60002307_ISQ	3.1	Dokument:	4FC.7.14
--------------	-----	-----------	----------

420

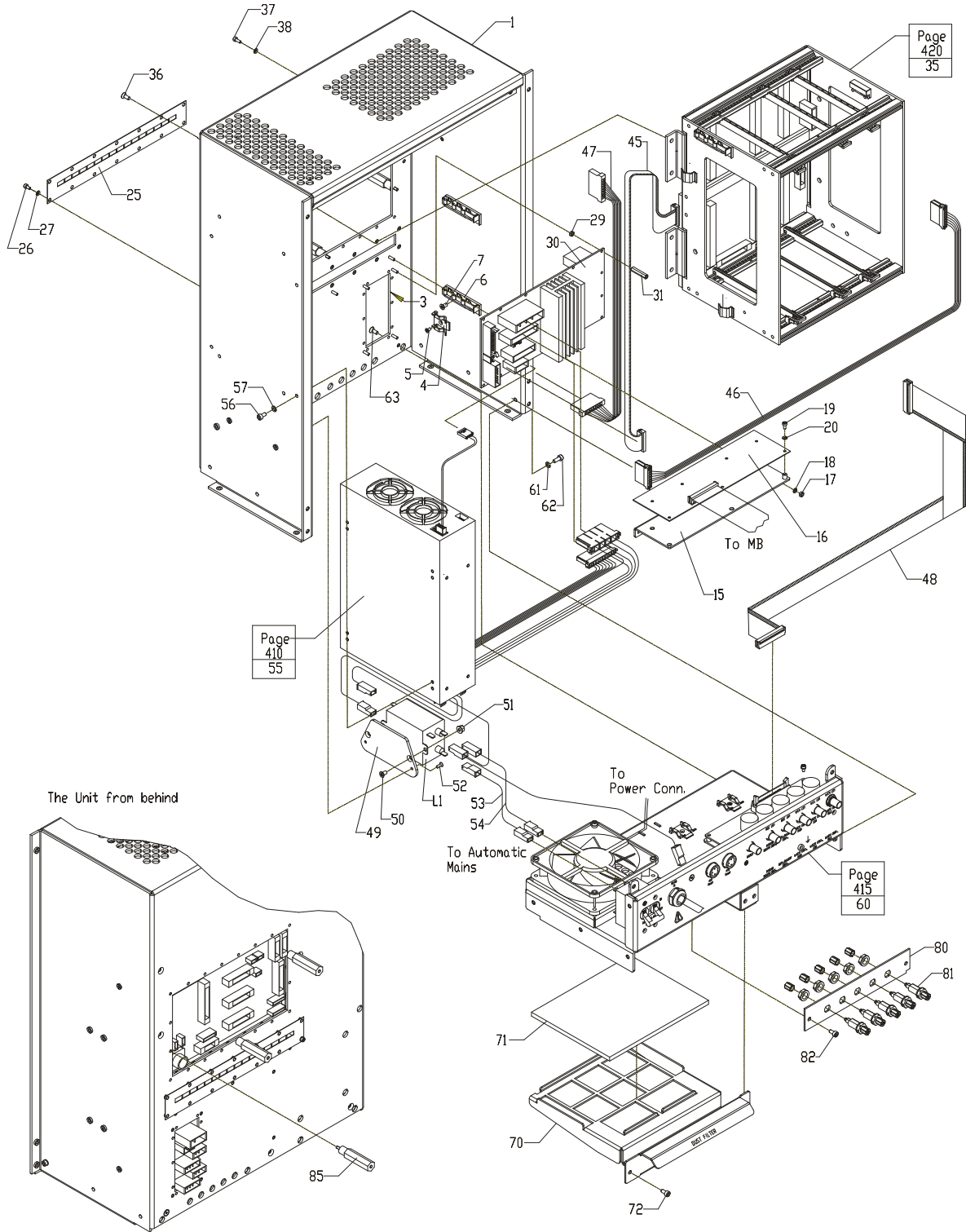
Fig. 37

38 El Box Unit

Drawing No.: 60002316

Page: 425-1

Pos.	Part No.	Description	Prod. No.
3	00512202	EMC-list	
16	00588699	Pcb assy Opto Sensor PCB FM FC	
17	00153403	Nut	
18	00299313	Washer	
19	00227348	Allen screw M3x6	
20	00299313	Washer	
26	00820183	Screw m3x04	
27	00299313	Washer	
29	00153403	Nut	
30	00588533	Pcb assy Power Connection PCB FM FC	
36	00277772	Allen screw M4x10	
37	00705251	Allen screw M3x8	
38	00299313	Washer	
45	01030745	Cable,Power Conn./Mother Board	
46	01030740	Kabel, power conn./motherboard	
47	01030741	Kabel, power conn./motherboard	
48	01030746	Cable, Mother Boa./Arqnet Liq.	
50	00821421	Screw m4x08	
51	00471805	Nut	
52	00821280	Screw M3x8	
53	60038177	Cable Blue N/Filter-Mains Switch	
54	60038176	Cable Brown L/Filter-Mains Switch	
56	00710624	Allen screw	
57	00109108	Springwasher	
61	00109108	Springwasher	
62	00011569	Allen screw M4x10	
63	00277772	Allen screw M4x10	
71	60002342	Filter in drawer on el-box	
72	00710624	Allen screw	
81	00508994	Grommet	
82	00710624	Allen screw	
L1	60028379	Noise Filter 10A, 120/250VAC, 50-60Hz	



60002316_ISD 10.0 Dokument: 4.FC.6.76

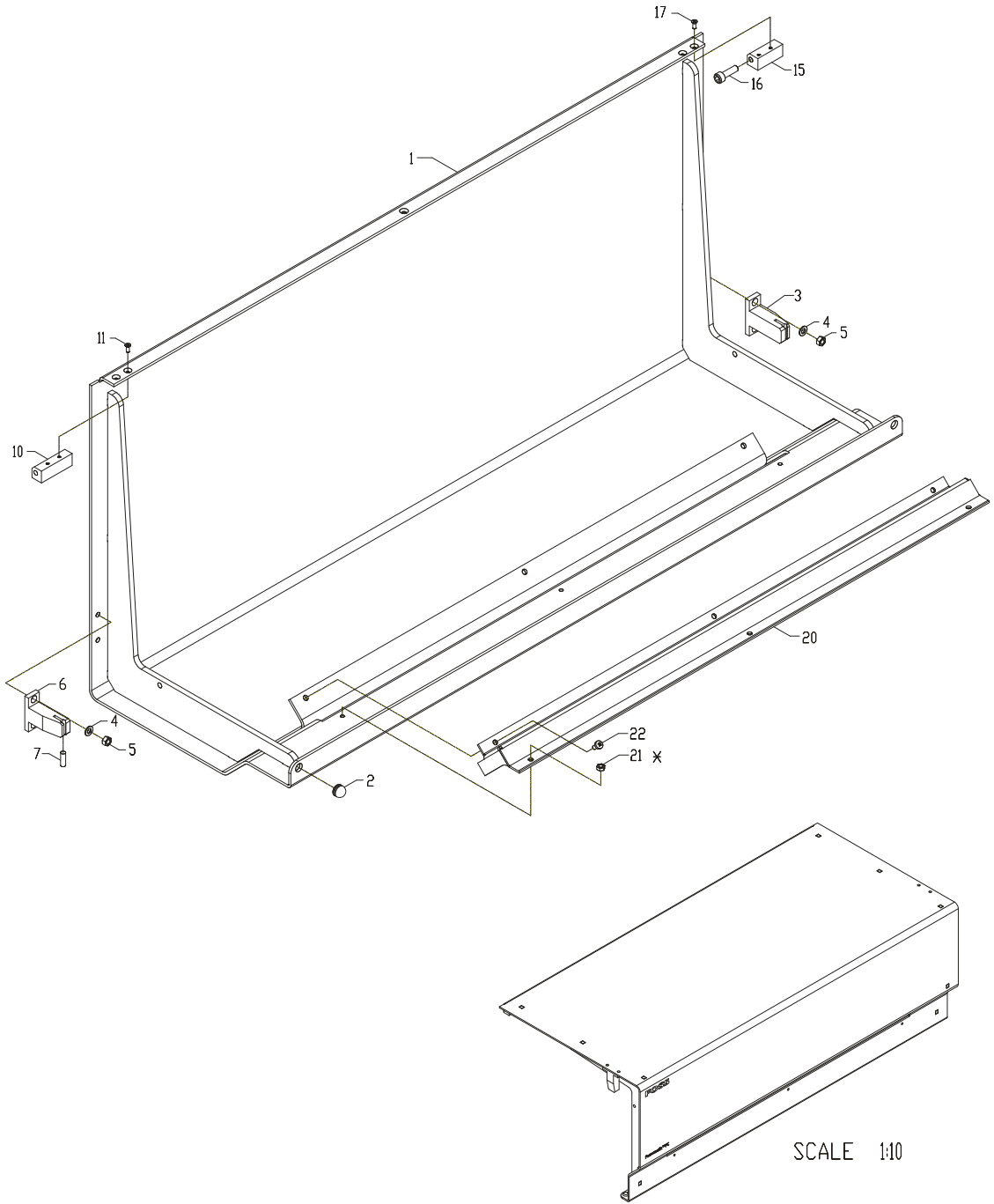
425

Fig. 38

39 Lid Unit

Drawing No.: 60028200**Page: 430-1**

Pos.	Part No.	Description	Prod. No.
2	00141879	Rubber pad	
4	00014456	Washer	
5	00008839	Nut M 5	
7	00089896	Magnet	
11	00821280	Screw M3x8	
16	00706440	Allen screw	
17	00821280	Screw M3x8	
21	00051433	Nut m4	
22	00820357	Screw m4x08	



* Pos.21 tightened by a torque of 1.9 Nm.

60028200_95	1.1	Dokument:	60028200_95
-------------	-----	-----------	-------------

Fig. 39

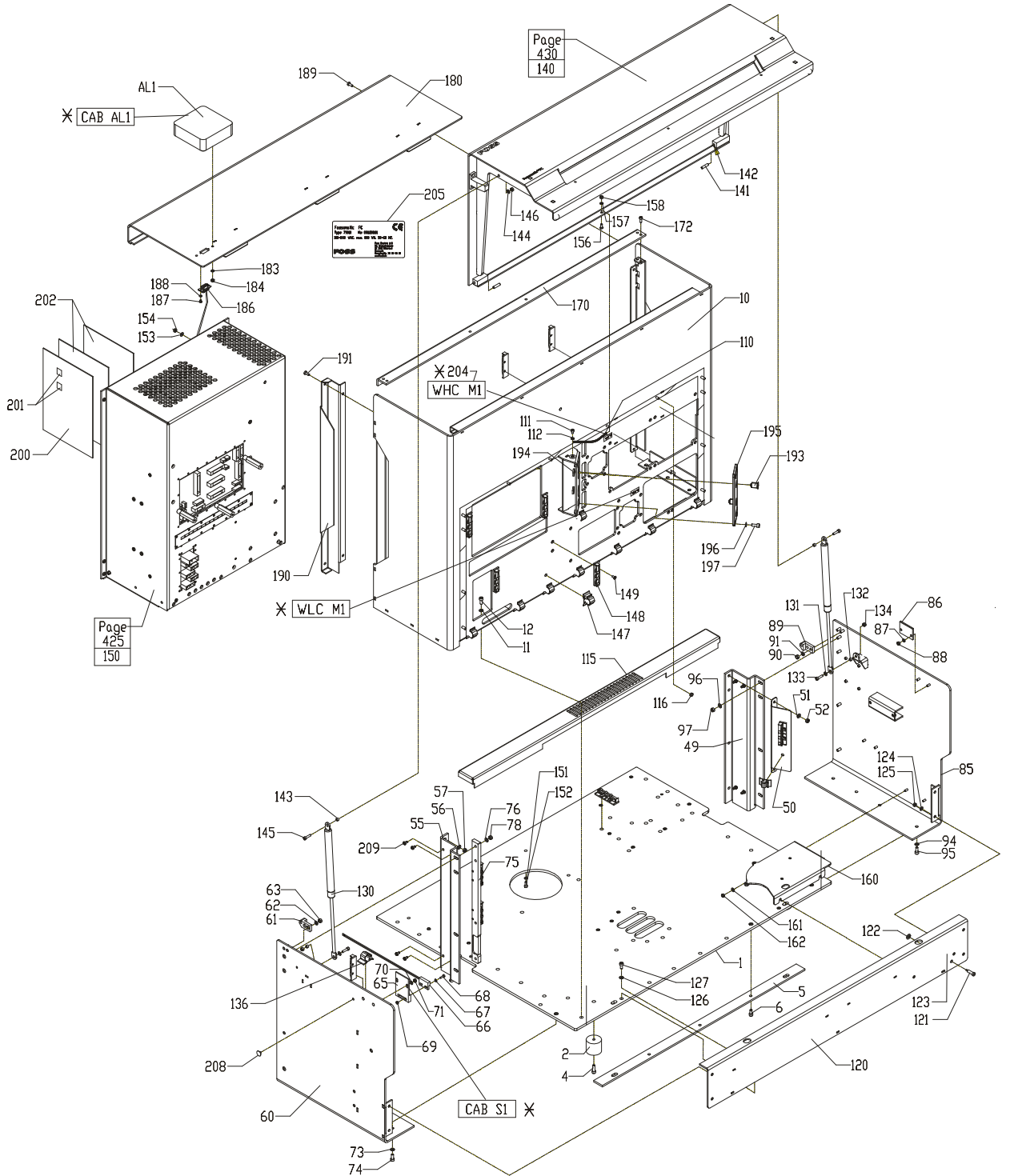
40 Cabinet

Drawing No.: 60002324**Page: 450-1**

Pos.	Part No.	Description	Prod. No.
2	00501759	Leg	
4	00705012	Screw	
6	00231837	Allen screw M5x10	
11	00357897	Springwasher	
12	00202614	Allen screw M5x12	
51	00014456	Washer	
52	00400432	Locknut PCB	
56	00014456	Washer	
57	00400432	Locknut PCB	
62	00357897	Springwasher	
63	00008839	Nut M 5	
66	01010699	Lid sensor	
67	00296640	Washer	
68	00820225	Screw m3x10	
69	00153403	Nut	
70	00109397	Washer	
71	00051433	Nut m4	
73	00357897	Springwasher	
74	00202614	Allen screw M5x12	
76	00014456	Washer	
78	00400432	Locknut PCB	
87	00109108	Springwasher	
88	00051433	Nut m4	
90	00008839	Nut M 5	
91	00357897	Springwasher	
94	00357897	Springwasher	
95	00202614	Allen screw M5x12	
96	00014456	Washer	
97	00400432	Locknut PCB	
110	01010729	Wire	
111	00256701	Allen screw	
112	00109108	Springwasher	
116	00051433	Nut m4	
122	00372342	Springwasher	
130	00363788	Damper	
131	00109397	Washer	
132	01010537	Dist. tube	
133	00201152	Allen screw M4x16	
134	00111872	Lock nut m4	
142	00060244	Silicone Grease	
143	01010537	Dist. tube	
144	00109397	Washer	
145	00201152	Allen screw M4x16	
146	00051433	Nut m4	
151	00002410	Washer	
152	00011569	Allen screw M4x10	
153	00109397	Washer	
154	00051433	Nut m4	
172	00011569	Allen screw M4x10	

183	00109108	Springwasher
184	00051433	Nut m4
185	00820365	Screw m4x10
186	01030763	Cable Flash-Motherboard
187	00820183	Screw m3x04
188	00299313	Washer
189	00820365	Screw m4x10
191	00820365	Screw m4x10
200	00588517	Pcb assy Cpu/Pha PCB FM FC
201	00519884	P-rom Unit Cpu/Pha Pcb
202	00465971	Print assy Output
AL01	60028344	Lamp

This page is intentionally left blank.



* Text. See dwg 60002326_kl no. 75.79.96.98

60002324_ISD 10.0 Dokument: 4FC.6.79

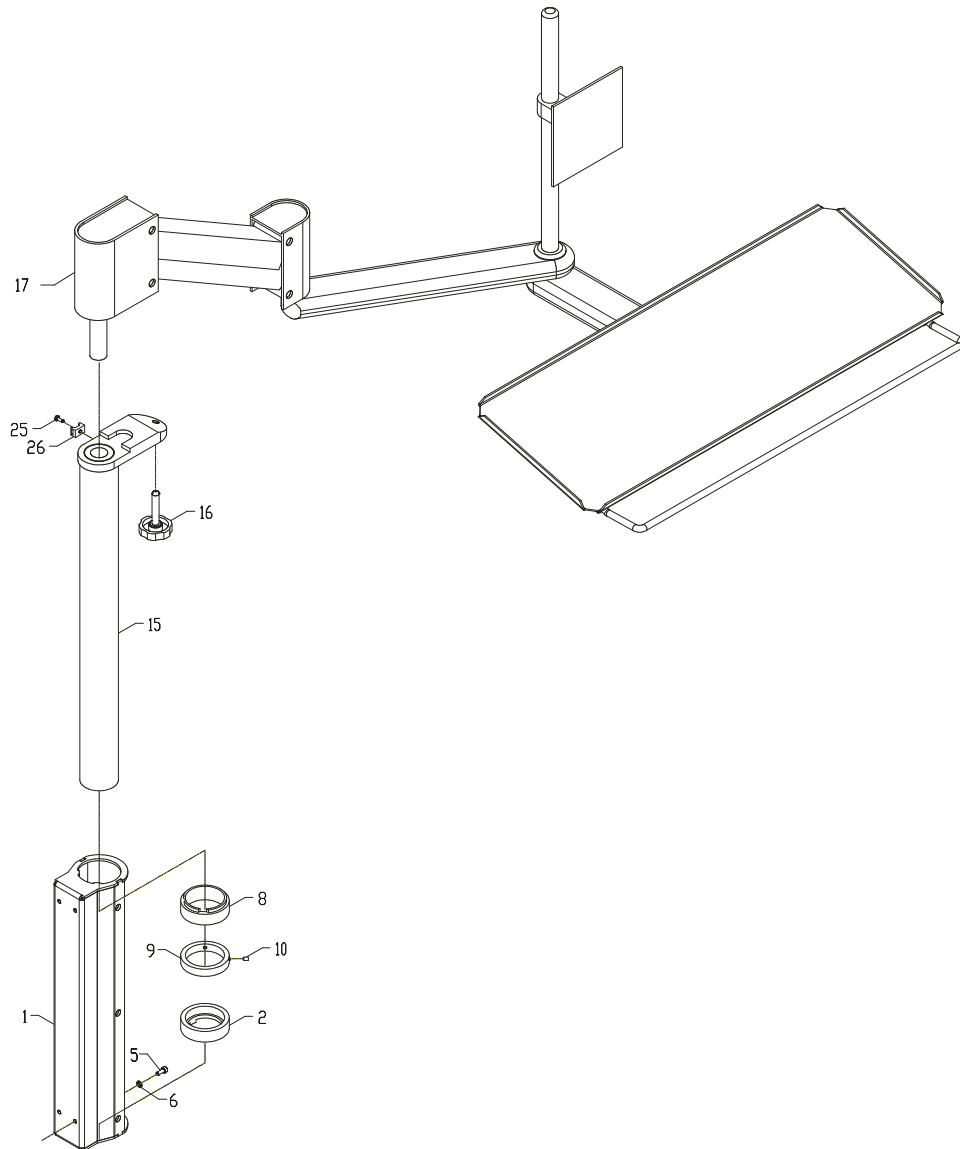
450

Fig. 40

41 Monitor Arm

Drawing No.: 01010590 Page: 500-1

Pos.	Part No.	Description	Prod. No.
5	00011569	Allen screw M4x10	
6	00109108	Springwasher	
16	00534388	Finger screw	



Pos.5 og 6 are used to mount on cabinet

01010590_IS1	5.1	Dokument:	4FF.1.71
--------------	-----	-----------	----------

500

Fig. 41

42 Monitor Cables

Drawing No.: -**Page:** 510-1

Pos.	Part No.	Description	Prod. No.
1	01015436	Cable USB ext. 1,8 m	
2	01010875	Cable keyboard	
3	01015169	Cable VGA	
4	01010872	Cable, monitor/mains	
6	00049254	Cable ties 2.5mm x 100mm Pa natur	
7	01015170	Plug	
8	01030778	Cable audiu ext. 3.5mm Male/Female	

43 PC Unit

Drawing No.: -

Page: 560-1

Pos.	Part No.	Description	Prod. No.
1	00522102	PC HP Vectra VE 5/166 MMX Desktop	
2	01030730	Flat-screen TFT 17" black/silver grey	
4	00141853	Power cable, Denmark	
5	00383711	Power cable, Europe	
6	00497610	Power cable, USA	

44 Basic Unit

Drawing No.: 60002326

Page: 600-1

Pos.	Part No.	Description	Prod. No.
14	00714147	T-piece	
15	00109397	Washer	
16	00201137	Allen screw	
29	00201152	Allen screw M4x16	
30	00109108	Springwasher	
33	00256701	Allen screw	
35	00588616	Pcb assy Mixer Connection PCB FM FC	
37	00299313	Washer	
46	00256701	Allen screw	
51	00256701	Allen screw	
64	60002245	Dist. bush	
65	00820217	Screw m3x08	
67	00213751	Top nut M4	
75	60045921	Mixerpump	00531210
76	00109397	Washer	
77	00051433	Nut m4	
82	00357897	Springwasher	
83	00202614	Allen screw M5x12	
91	00109397	Washer	
92	00291724	Allen screw M4x12	
127	60045809	Tube Tygon	00183103
202	00709550	Allen screw	
203	00528364	Lock Washer	
212	60002341	Filter under ventilator	
215	00051433	Nut m4	
216	00201137	Allen screw	
217	00109397	Washer	
221	00291724	Allen screw M4x12	
222	00111872	Lock nut m4	
228	00821413	Screw m4x06	
229	00706440	Allen screw	
230	00372342	Springwasher	
240	00588657	Pcb assy Cuvette Connection PCB FM FC	
241	00227348	Allen screw M3x6	
242	00299313	Washer	
262	00296640	Washer	
263	00153403	Nut	
264-2	60005017	O-ring ø058.00xø1.00	
265	60045922	Microscope	00532150
266	00344739	Screw M 6.0 x 070	
267	00372342	Springwasher	
273	00372342	Springwasher	
274	00531889	Allen screw	
275	60045899	Detector unit	00530717
279	00533414	Screen	
280	00503797	Screw	
282	00710624	Allen screw	
283	00109108	Springwasher	
303	00291724	Allen screw M4x12	

511	01000247	Plug bnc "T" adaptor
512	00470161	Socket
513	01010857	Arcnet cable
M3	01030756	Fan

This page is intentionally left blank.

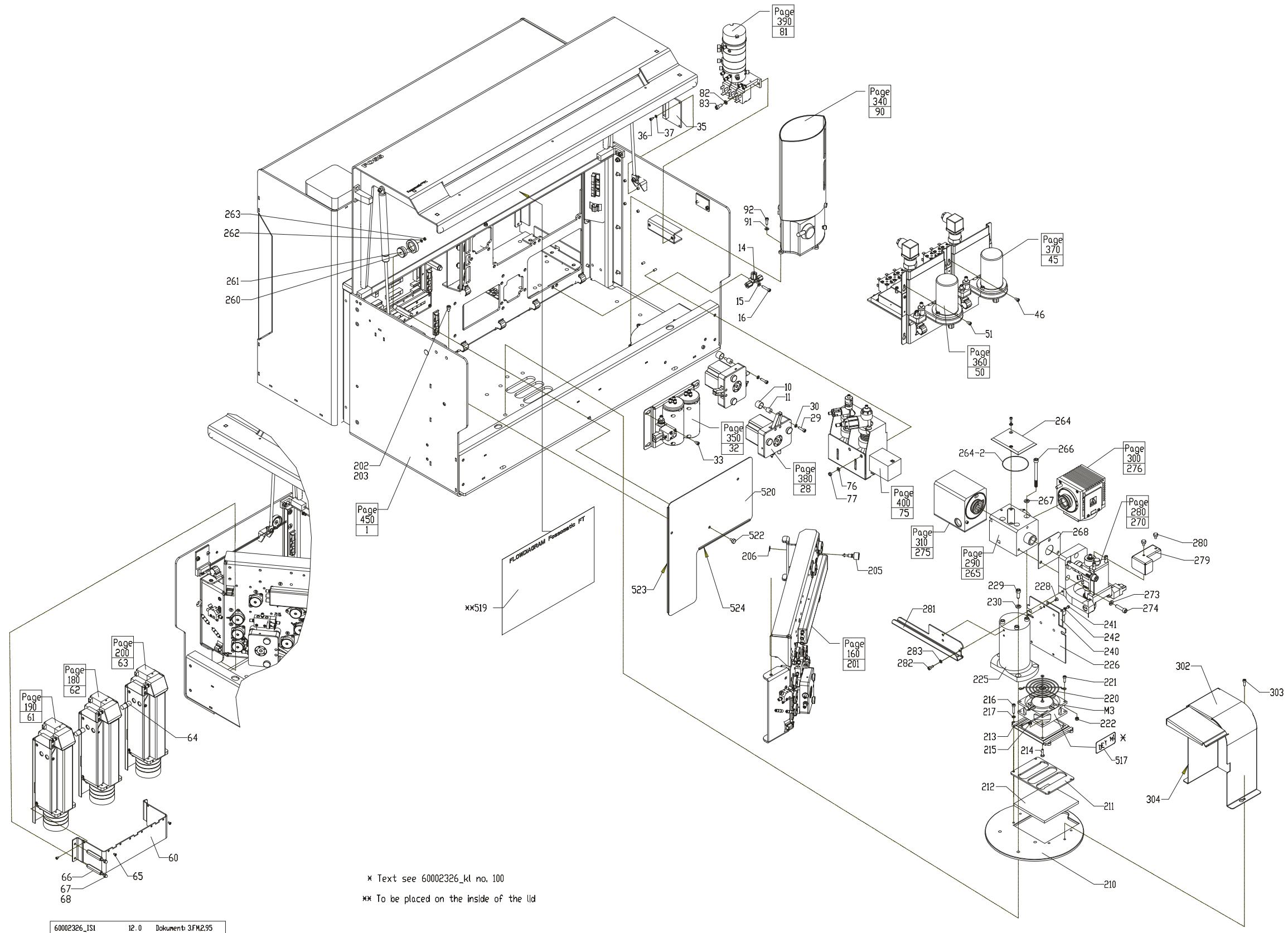


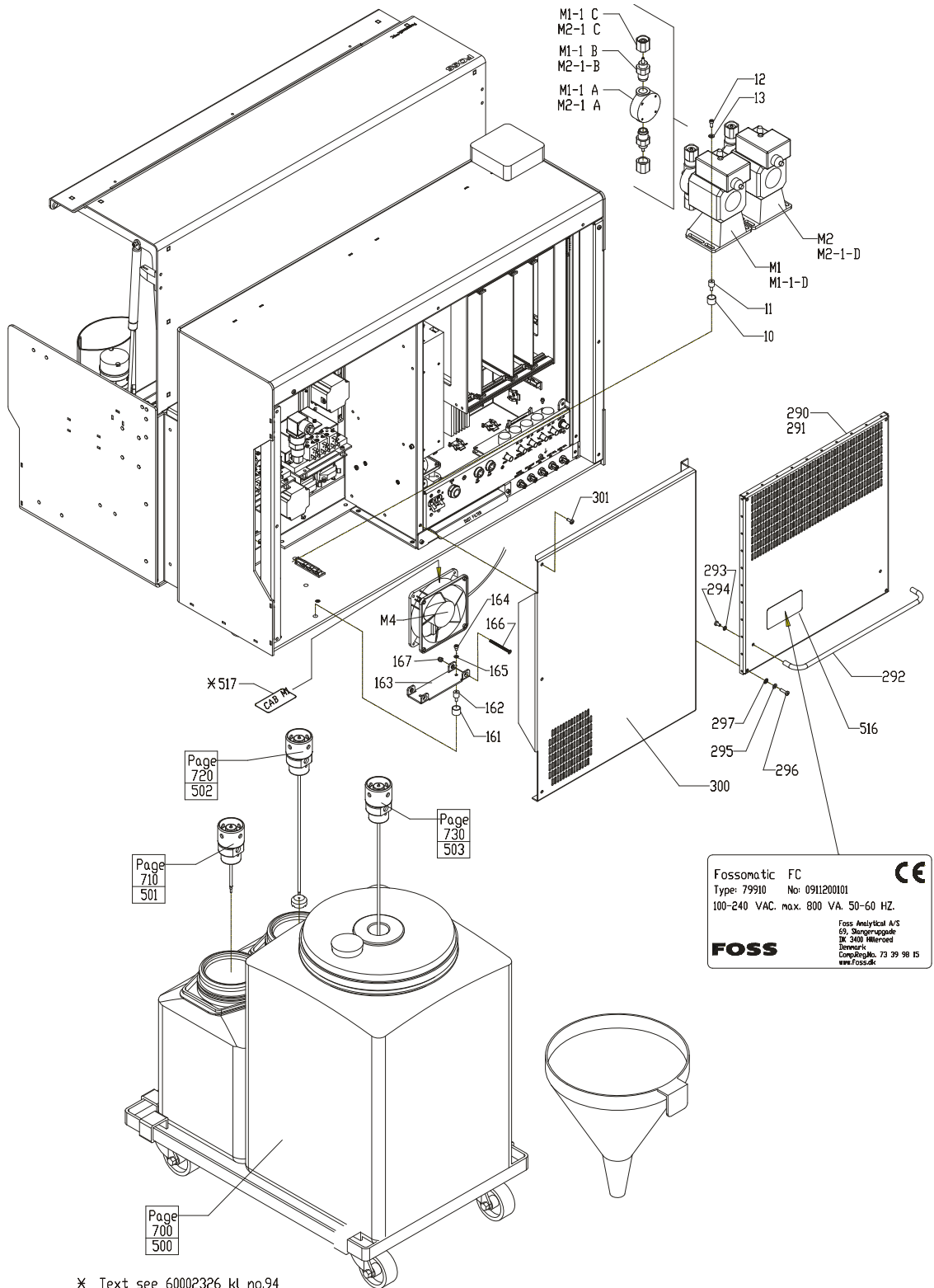
Fig. 42

45 Basic Unit

Drawing No.: 60002326

Page: 600-2

Pos.	Part No.	Description	Prod. No.
11	00329458	Damper	
12	00011569	Allen screw M4x10	
13	00002410	Washer	
17	00324376	Pvc Ø4/6	
18	00324376	Pvc Ø4/6	
162	00329458	Damper	
164	00256701	Allen screw	
165	00109108	Springwasher	
291	00512202	EMC-list	
293	00109108	Springwasher	
294	00820357	Screw m4x08	
295	00182782	Washer	
296	00820399	Screw m4x16	
297	00525253	Disc	
301	00820365	Screw m4x10	
M1	60045524	Feed Pump assy	
M1-1-A	60045729	Pump Head PVC	
M1-1-B	60016892	PVC Fitting	
M1-1-C	60016893	Fitting Nut	
M1-1-D	60045730	Service Kit for pump p/n 60045522	
M2	60045524	Feed Pump assy	
M2-1-A	60045729	Pump Head PVC	
M2-1-B	60016892	PVC Fitting	
M2-1-C	60016893	Fitting Nut	
M2-1-D	60045730	Service Kit for pump p/n 60045522	
M4	01030914	Fan	



* Text see 60002326_kl no.94

60002326_IS6 6.0 Dokument: 4AS.5.72

600-2

Fig. 43

46 Basic Unit Cables

Drawing No.: 60002326**Page:600-3**

Pos.	Part No.	Description	Prod. No.
38	01030749	Cable, Mother Board/Mixer Conn.	
84	60002405	Cable, MCH-VX	
157	01030742	Cable, power conn. RIN/SLU	
158	01030751	Cable, Mother Board/Pumpe Conn.	
159	01030750	Cable, Mother Board/Pumpe Conn.	
200	01030748	Cable, Mother Board/Valve Conn.	
285	00528299	Cable Detector/Motherboard	
286	01030747	Cable, Mother Board/Cuv.Conn.	

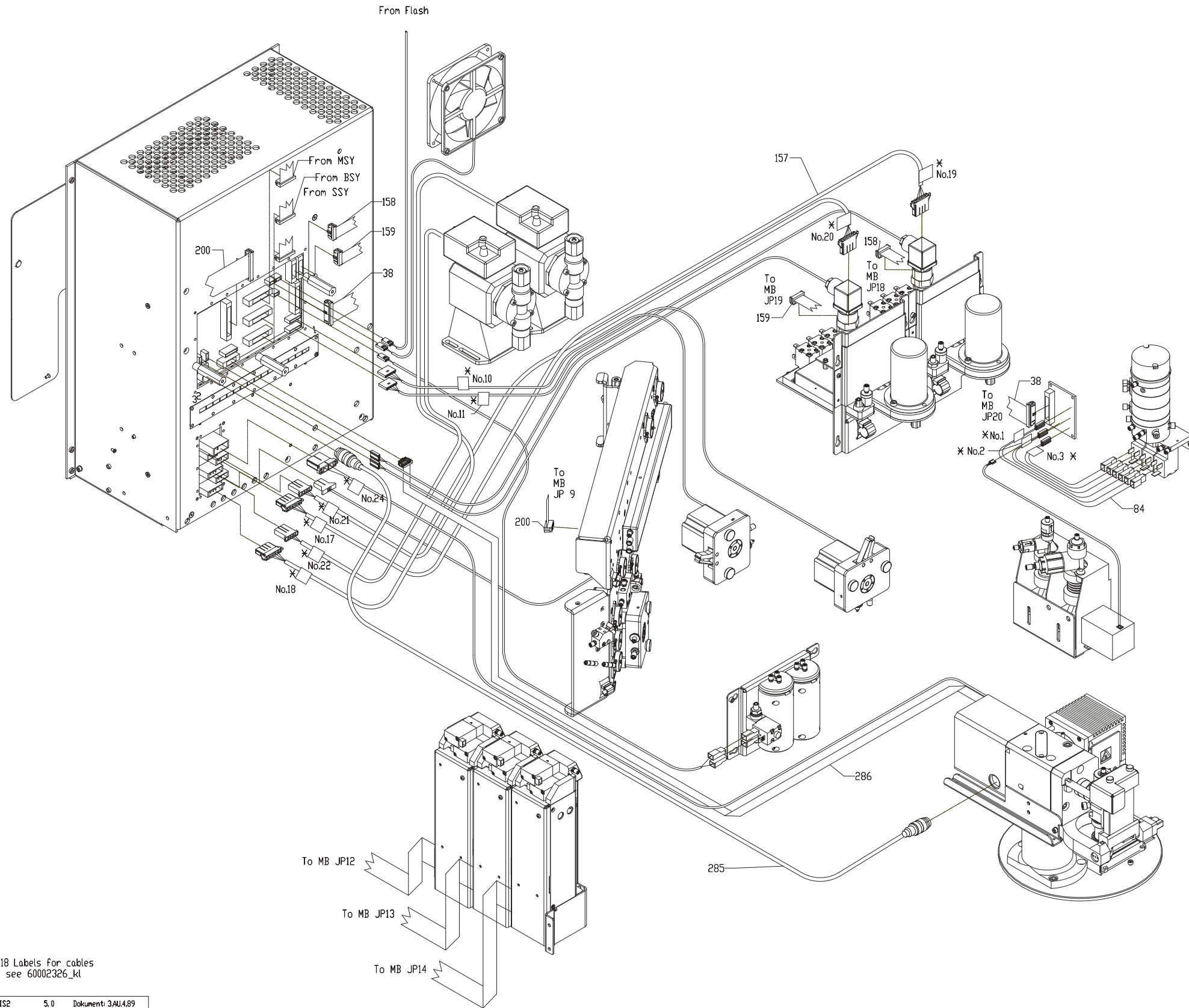
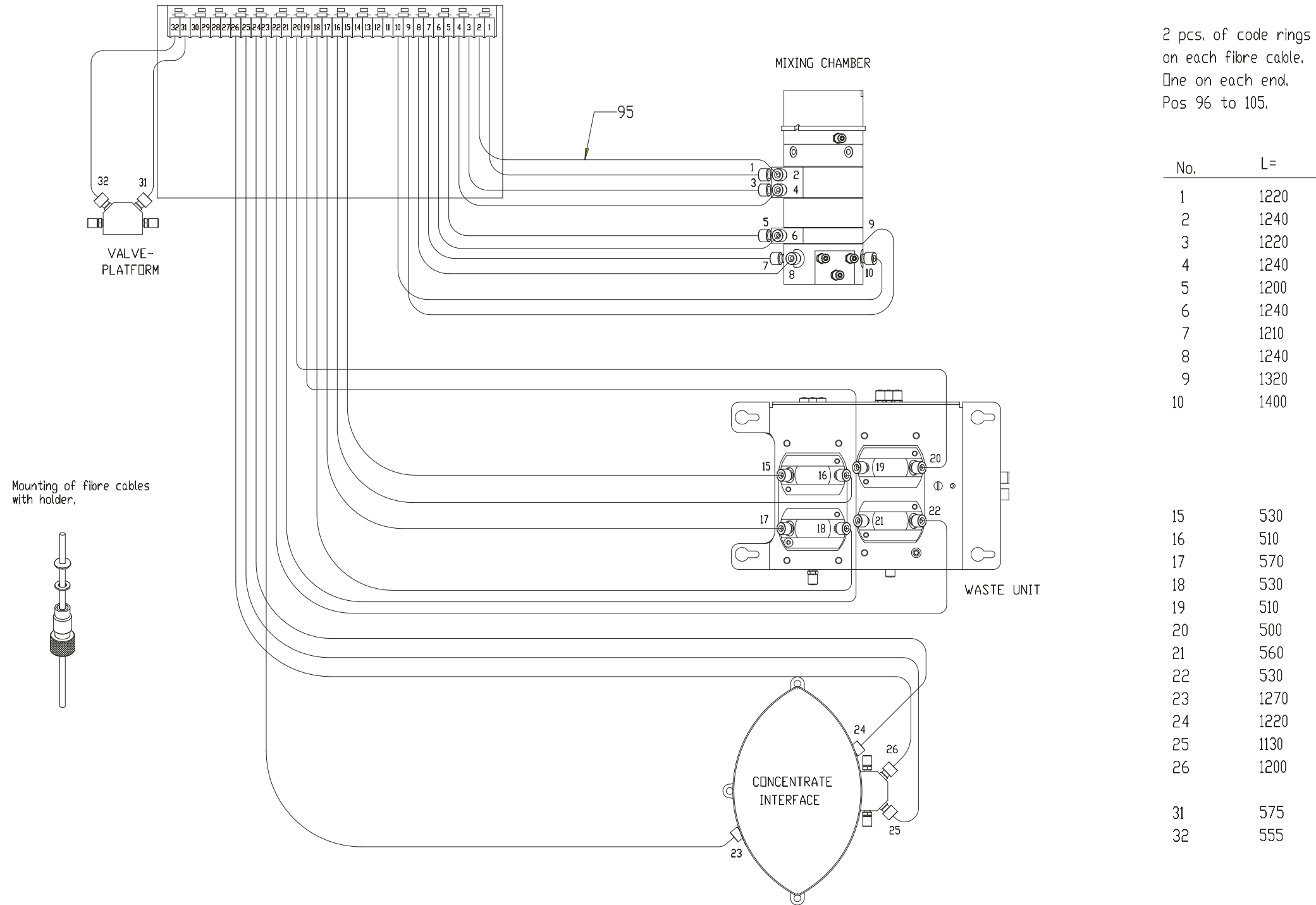


Fig. 44

47 Basic Unit Fibre Cables*Drawing No.: 60002326 Page: 600-4*

Pos.	Part No.	Description	Prod. No.
95	00507392	Cable	



60002326_IS7 2.1 Dokument: 3AX1.S1

Fig. 45

600-4

48 Basic Unit Tubing

Drawing No.: 60002326 **Page:** 600-5

Pos.	Part No.	Description	Prod. No.
19	00324376	Pvc Ø4/6	
20	60002346	Tubing straight	
21	60045821	Tube	00531954
22	00324376	Pvc Ø4/6	
23	00324376	Pvc Ø4/6	
115	60045809	Tube Tygon	00183103
116	60045809	Tube Tygon	00183103
117	60045809	Tube Tygon	00183103
118	60045821	Tube	00531954
119	60045809	Tube Tygon	00183103
120	60045809	Tube Tygon	00183103
121	60045809	Tube Tygon	00183103
122	60045809	Tube Tygon	00183103
128	00218610	T-piece	
129	60045809	Tube Tygon	00183103
130	60045809	Tube Tygon	00183103
131	60045809	Tube Tygon	00183103
132	60045809	Tube Tygon	00183103
133	60045809	Tube Tygon	00183103
134	60045821	Tube	00531954
135	60045821	Tube	00531954
136	60045809	Tube Tygon	00183103
137	60045809	Tube Tygon	00183103
138	60045809	Tube Tygon	00183103
139	60045809	Tube Tygon	00183103
140	60045809	Tube Tygon	00183103
141	60045809	Tube Tygon	00183103
142	60045809	Tube Tygon	00183103
143	60045809	Tube Tygon	00183103
144	60002331	Tubing L=550mm	
145	60002332	Tubing L=783mm	
155	60045821	Tube	00531954
287	60002333	Tubing L=194mm	
288	60002643	Tubing L= 220 mm	

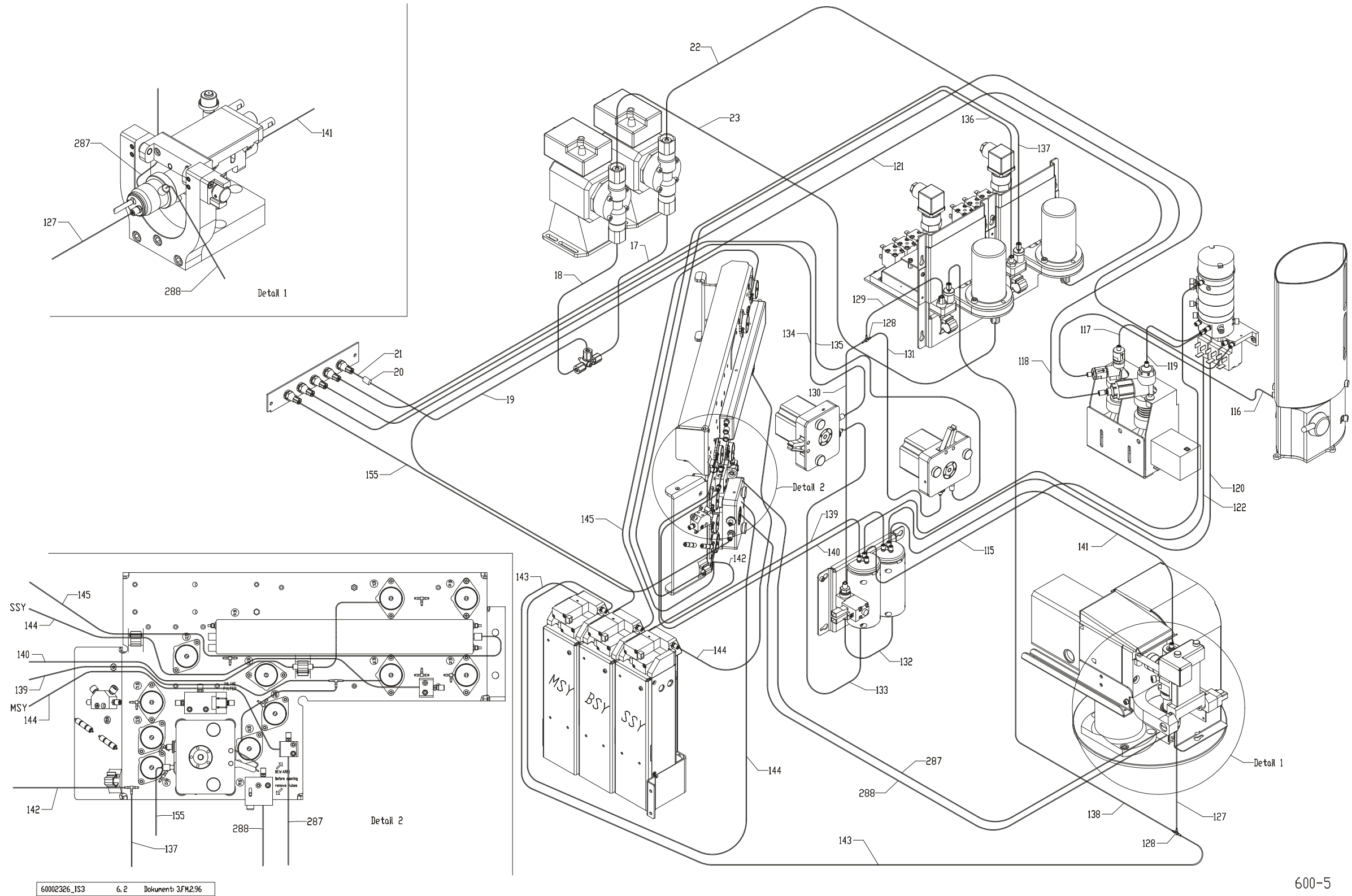


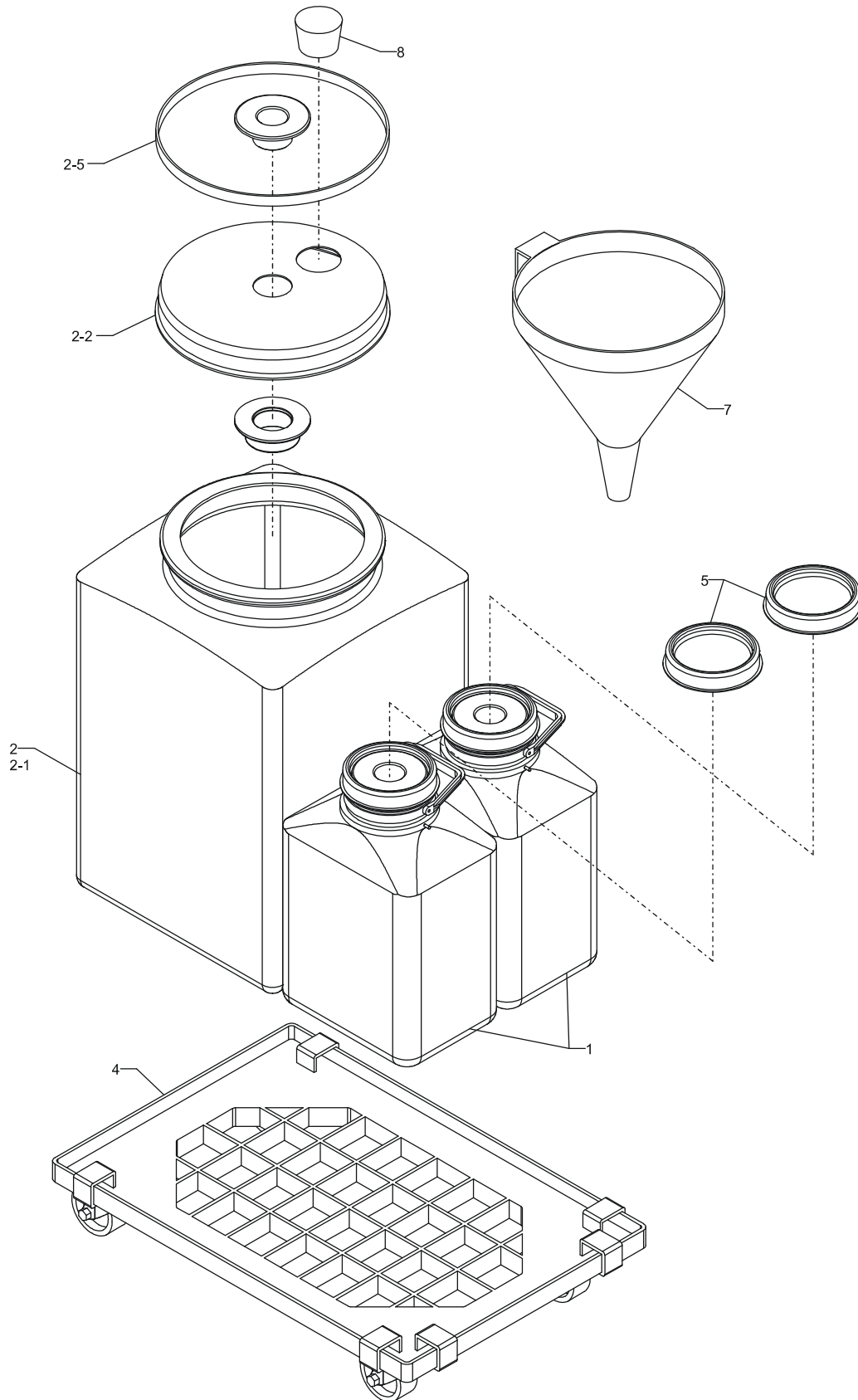
Fig. 46

600-5

49 Container Trolley

Drawing No.: 60002327 *Page:* 700-1

Pos.	Part No.	Description	Prod. No.
1	60046165	Container, 10 litres.	00533174
1-1	00532960	Container	
1-2	00533182	Lid	
2-1	00533133	Container	
2-2	60002041	Lid	
2-5	00532879	Rubber Band	
4	00577007	Trolley	
5	00532887	Lid with gasket 100 mm 5+10 l container	
7	01032254	Funnel for container trolley	
8	01032255	Plug for container trolley	



60002327_ISO 2.1 Dokument: 4.FC.6.81

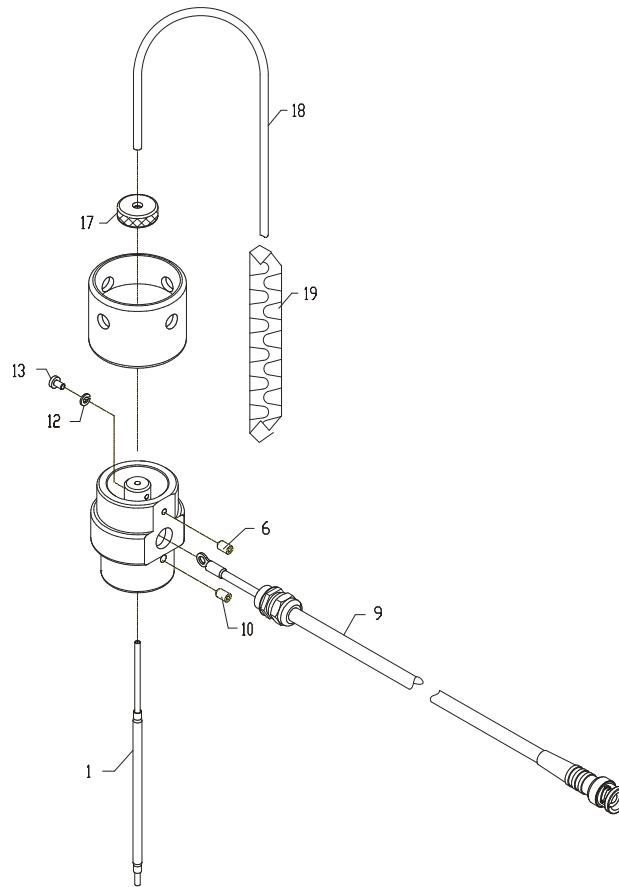
700

Fig. 47

50 Container Lid Waste System

Drawing No.: 00532275**Page: 710-1**

Pos.	Part No.	Description	Prod. No.
1	00532804	Tube assmbly	
6	00417196	Allen screw	
9	00533109	Cable sensor	
10	00417196	Allen screw	
12	00299313	Washer	
13	00820191	Screw m3x05	
17	00533893	Tube squeezer	
18	00528570	PVC Ø2.5/4.5 Blue	
19	01015414	Flex Helawrap 16 mm grey	



00532275_IS 4.0+ Dokument: 4FC.7.06

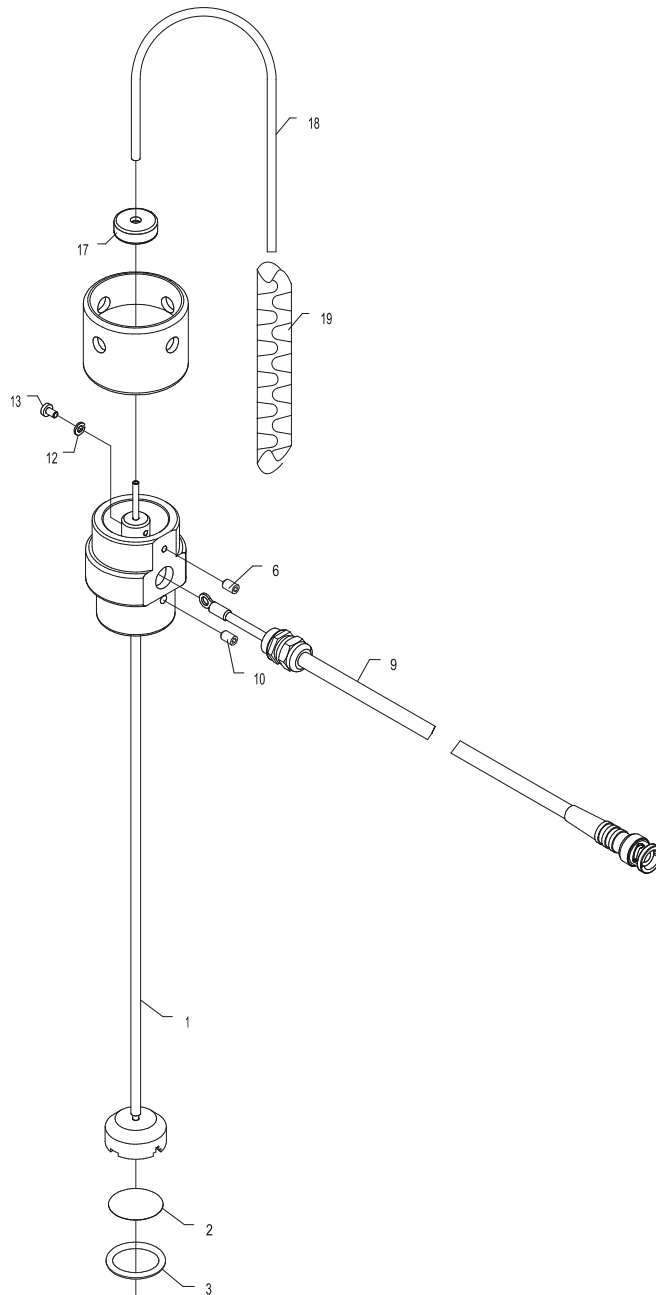
710

Fig. 48

51 Container Lid B/D System

Drawing No.: 00532283**Page: 720-1**

Pos.	Part No.	Description	Prod. No.
1	00533232	Pipette Assembly	
2	00216523	Filter	
3	00301853	O-ring	
6	00417196	Allen screw	
9	00533109	Cable sensor	
10	00417196	Allen screw	
12	00299313	Washer	
13	00820191	Screw m3x05	
17	00533893	Tube squeezer	
18	00528570	PVC Ø2.5/4.5 Blue	
19	01015414	Flex Helawrap 16 mm grey	



00532283_IS	3,3	Dokument	4,FC,7,05
-------------	-----	----------	-----------

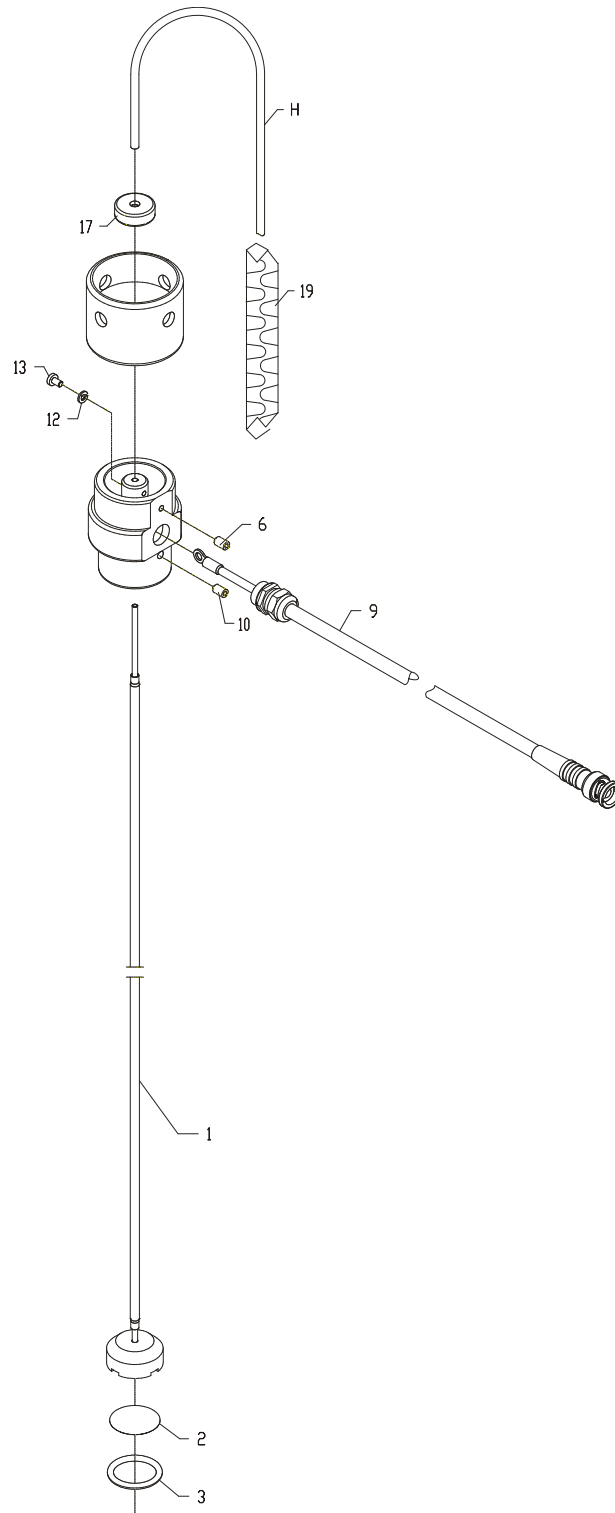
720

Fig. 49

52 Container Lid Rinse Liquid System

Drawing No.: 00532291**Page: 730-1**

Pos.	Part No.	Description	Prod. No.
1	00533224	Pipette assembly	
2	00216523	Filter	
3	00301853	O-ring	
6	00417196	Allen screw	
9	00533109	Cable sensor	
10	00417196	Allen screw	
12	00299313	Washer	
13	00820191	Screw m3x05	
17	00533893	Tube squeezer	
18	00528570	PVC Ø2.5/4.5 Blue	
19	01015414	Flex Helawrap 16 mm grey	



00532291_IS 3.1 Dokument: 4FC.7.07

730

Fig. 50

53 Index

Part No.	Page		
00002410	80, 92	00213751	88
00008839	12, 78, 80	00216523	104, 106
00011379	58	00217612	12, 20
00011569	76, 80, 84, 92	00217851	72
00012757	52	00218230	50
00014456	78, 80	00218610	30, 98
00043216	12	00218974	36, 38, 40
00046458	72	00219121	18, 22, 26, 30, 36, 38, 40, 42, 56, 58, 64, 66, 68
00049254	6, 16, 86	00219253	8, 14, 18, 56
00051433	10, 12, 18, 20, 72, 78, 80, 81, 88	00227348	28, 72, 76, 88
00053207	6, 8, 14, 16, 24, 60, 62	00227728	36, 38, 40, 60, 62
00054122	68	00231837	22, 64, 80
00060244	80	00234898	24, 60, 62
00060251	42, 60, 62	00246371	58
00060723	56	00256701	6, 60, 62, 80, 88, 92
00062190	60, 62	00277137	72
00089896	78	00277772	72, 76
00090902	6, 16	00284612	68
00101287	30	00284646	52
00101733	46	00291724	12, 20, 88
00103275	6, 16	00293662	24
00106047	68	00296640	8, 14, 24, 28, 36, 38, 40, 80, 88
00108084	6, 16	00299313	6, 10, 16, 18, 24, 36, 38, 40, 60, 62, 72, 76, 81, 88, 102, 104, 106
00108480	26	00301853	104, 106
00109108	6, 10, 12, 16, 18, 20, 32, 34, 36, 38, 40, 72, 76, 80, 81, 84, 88, 92	00302851	42, 60, 62
00109397	6, 10, 16, 18, 80, 88	00321331	6, 16
00111872	80, 88	00324376	92, 98
00123182	30	00325191	8, 14
00136978	8, 14	00327957	6, 16
00140525	42	00328559	6, 16
00140806	56	00329458	6, 16, 26, 92
00141853	87	00336347	50
00141879	78	00337535	60, 62
00144592	6, 16, 22, 24, 58, 64	00340380	28
00148163	44, 46	00344739	88
00152215	52	00349407	26, 36, 38, 40, 42, 56, 58, 66
00153403	8, 14, 32, 34, 60, 62, 76, 80, 88	00357897	22, 64, 80, 88
00182782	92	00363218	74
00183137	46	00363788	80
00198499	26, 60, 62	00366104	56
00201137	44, 88	00367912	10, 18
00201152	26, 80, 88	00369835	54
00201160	26	00372342	80, 88
00201699	18	00373365	52
00202614	60, 62, 80, 88	00383711	87
00209452	50, 58		

00383844	26	00525253	92
00390765	30	00525261	52
00398297	42, 44, 46, 56	00525295	52
00400432	80	00525329	52
00400754	22, 64	00525337	52
00400820	52	00525360	26
00417196	44, 66, 102, 104, 106	00525832	24
00417311	56	00527986	12
00423046	44	00528059	56
00435321	32, 34, 74	00528117	12
00435370	30	00528299	94
00439570	68	00528356	22, 64
00452227	28, 68, 74	00528364	88
00461749	60, 61, 62	00528463	22, 64
00465971	81	00528471	12
00470161	89	00528570	102, 104, 106
00471805	76	00528612	26, 56, 58, 66
00495085	22, 64	00528620	26, 56, 58, 66
00495135	22, 58, 60, 62, 64, 68	00528646	20
00495481	22, 64	00528737	6, 16
00495689	22, 64	00530006	66
00495739	22, 64	00530014	66
00497610	87	00530022	66
00501759	80	00530071	66
00503557	6, 16	00530170	36, 38, 40
00503573	6, 16	00530188	36, 38
00503680	6, 16	00530295	18, 26, 36, 38, 40, 42, 56, 58, 66
00503755	6, 16	00530311	40
00503797	10, 18, 88	00530485	26, 56
00503805	10, 18	00530683	54
00504498	10	00530949	36, 38, 40
00504548	6, 16	00531012	66
00504928	6, 16	00531061	46
00504936	6, 16	00531087	46
00507392	28, 96	00531103	32, 34, 36, 38, 40
00508994	76	00531111	32, 34
00512202	76, 92	00531145	36, 38
00513564	42	00531152	40
00514505	6, 16	00531277	66
00514703	20	00531327	68
00514919	12	00531665	36, 38, 40
00517409	72	00531673	12, 20
00518779	72	00531731	46
00519884	81	00531749	46
00522102	87	00531756	46
00523886	26, 56, 58, 66	00531764	46
00523928	22, 64	00531780	48
00523944	22, 64	00531798	44
00524058	42	00531806	42
00524082	44	00531822	42
00524165	42	00531871	50
00524173	42	00531889	46, 88
00524520	50	00531905	66
00524629	52		

00531913	66	00551648	60, 62
00531921	66	00551804	60, 62
00531939	66	00551812	60
00531947	66	00551986	58
00532127	32, 34	00555219	60
00532135	32, 34	00556126	74
00532325	56	00556266	60, 62
00532374	56	00556274	60, 62
00532382	56	00556290	60, 62
00532663	42	00556308	60, 62
00532671	66	00556324	60, 62
00532697	68	00556340	60, 62
00532804	102	00556928	58
00532812	68	00577007	100
00532820	68	00588434	10, 18
00532838	68	00588459	6, 16
00532846	68	00588475	10, 18
00532861	60, 62	00588517	81
00532879	100	00588533	76
00532887	100	00588558	74
00532960	100	00588574	72
00532986	56	00588590	60, 62
00533000	56	00588616	88
00533018	56	00588632	28
00533034	56	00588657	88
00533109	102, 104, 106	00588673	72
00533133	100	00588699	76
00533182	100	00588731	36, 38, 40
00533224	106	00705012	80
00533232	104	00705251	6, 16, 76
00533398	46	00706440	78, 88
00533414	88	00709550	88
00533448	54	00710624	16, 68, 76, 88
00533455	54	00714147	88
00533463	42	00716282	54
00533471	48	00820001	50
00533596	36, 38	00820068	26
00533653	68	00820118	32, 34
00533661	68	00820126	74
00533679	68	00820183	60, 62, 76, 81
00533687	68	00820191	6, 16, 60, 62, 102, 104, 106
00533695	68	00820209	6, 10, 16, 18, 24, 36, 38, 40, 52, 66
00533703	68	00820217	66, 88
00533893	102, 104, 106	00820225	36, 38, 40, 58, 80
00534040	42	00820233	36, 38, 40
00534057	42	00820282	66
00534065	42	00820290	52, 56, 58
00534073	42	00820332	10, 18
00534156	42	00820340	10, 18
00534388	84	00820357	6, 10, 16, 18, 78, 92
00534909	42	00820365	6, 10, 16, 18, 32, 34, 36, 38, 40, 81, 92
00549782	62		
00549790	60		
00549808	60		

00820399	92	01030757	58
00820548	66	01030758	72
00821272	28, 36, 38, 40, 56, 72	01030763	81
00821280	26, 50, 76, 78	01030776	64
00821298	8, 14	01030777	24
00821306	52	01030778	86
00821322	46	01030913	22
00821348	26	01030914	92
00821363	52	01032254	100
00821413	36, 38, 40, 88	01032255	100
00821421	28, 76	01032359	66
00821439	8, 14	01032360	66
00821553	56	01032424	36, 38, 40
00821801	32, 34	60000702	36, 38, 40
00821827	74	60001915	42
00821835	32, 34	60002025	36, 38, 40
00844951	60, 62	60002041	100
00847103	10, 18	60002184	42
01000247	89	60002186	46
01010537	80	60002187	26
01010611	6, 16	60002190	26
01010643	10, 18	60002202	26
01010679	6, 16	60002211	26
01010699	80	60002245	88
01010729	10, 18, 80	60002258	58
01010857	10, 18, 89	60002281	24
01010872	86	60002282	24
01010875	86	60002283	24
01011013	72	60002285	26
01011094	58, 60, 62	60002291	36, 38, 40
01015169	86	60002302	58
01015170	86	60002330	30
01015325	68	60002331	98
01015326	68	60002332	98
01015329	22, 64	60002333	98
01015414	102, 104, 106	60002334	30
01015436	86	60002339	46
01015607	26	60002341	88
01015801	58	60002342	76
01024401	64	60002346	98
01030730	87	60002350	46
01030740	76	60002394	24
01030741	76	60002405	94
01030742	94	60002643	98
01030745	76	60002882	60, 62
01030746	76	60004791	60, 62
01030747	94	60005017	88
01030748	94	60015102	18
01030749	94	60015474	26
01030750	94	60015534	60, 62
01030751	94	60016892	92
01030754	24	60016893	92
01030755	24	60028344	81
01030756	89	60028379	76

60029259	18
60029263	18
60029264	18
60029282	20
60038169	70
60038171	70
60038172	70
60038173	70
60038174	70
60038175	70
60038176	76
60038177	76
60045524	92
60045544	62
60045729	92
60045730	92
60045809	30, 56, 66, 88, 98
60045821	98
60045822	6, 16
60045899	88
60045921	88
60045922	88
60045931	42
60045932	42
60046124	60, 62
60046165	100