
MilkoScan™ FT120 Spare Parts Manual

0049 1472 / Rev. 5



All information is liable to change without prior notice. For latest information about documentation updates for your specific instrument, please contact your local FOSS representative.

Rev.	Date of Issue	Revised Material
5	2011-01-10	Spare parts updated. Layout improved.

Please inform Customer Support - Technical Communication Team at the address given below, if you have any opinions about or proposals for changes to this manual.

Customer Support - Technical Communication Team

e-mail tig@foss.dk

FOSS Analytical AB, Box 70, SE-263 21 Höganäs, Sweden

Tel Int +46 42 361500, Fax +46 42 340349

Table of Contents

1	General	1
1.1	Explanation of Definitions	1
2	Overview MilkoScan FT120 (M + A)	2
3	Pipette Unit (M)	6
4	Pipette Unit (A)	8
5	Tube Pump	10
6	Heat Exchanger	12
7	Homogeniser	14
8	H-Pump	16
9	One Way Valve	18
10	Detector Unit	20
11	Flow Control Unit	22
12	Source Unit	24
13	Vibration Damper	26
14	Interferometer Unit	28
15	Interferometer Unit	30
16	Electronics Rack	32
17	Power Supply	34
18	Power Supply, El. Connection	36
19	Fan Unit	38
20	Base Unit	40
21	Front Door (M)	42
22	Front Door (A)	44

23	Bottle Door	46
24	Cabinet (M)	48
25	Cabinet (A)	50
26	Basic Unit (M)	52
27	Basic Unit (M)	54
28	Basic Unit (M)	56
29	Basic Unit, Tubing (M)	58
30	Basic Unit, El.Connection (M)	60
31	Basic Unit (A)	62
32	Basic Unit (A)	64
33	Basic Unit (A)	66
34	Basic Unit, Tubing (A)	68
35	Basic Unit, El.Connection (A)	70
36	Waste Unit	72
37	Sampler Kit	74
38	ACZ Module	76
39	Tubing of Basic Unit with ACZ Module	78
40	ACZ Pipette Unit	80
41	ACZ Valve Unit	82
42	ACZ Pipette	84
43	Accessories	86
44	Index	88

1 General

This document contains Spare Parts for MilkoScan™ FT120.



Warning

Please read Safety Precautions in the Service Manual prior to maintenance or exchange of spare parts.

The system may only be repaired by FOSS personnel or by other personnel approved by FOSS.

1.1 Explanation of Definitions

Explanation of definitions used in this manual:

- Drawing No. FOSS drawing number.
- Page Drawing page in FOSS database.
- Part No. Spare part number for ordering.
- Prod. No. FOSS production number.

Note:

When ordering new spare parts, please use the Part No. stated in this manual for the parts in question.

2 Overview MilkoScan FT120 (M + A)

Pos.	Description
100-1	Pipette Unit (M)
105-1	Pipette Unit (A)
110-1	Tube Pump
120-1	Heat Exchanger
200-1	Homogenizer
210-1	H-Pump
220-1	One Way Valve
300-1	Detector Unit
310-1	Flow COntrol Unit
400-1	Source Unit
410-1	Vibration Damper
450-1	Interferometer Unit
450-2	Interferometer Unit
500-1	Electronics Rack
510-1	Power Supply
510-2	Power Supply, El.Connection
520-1	Fan Unit
530-1	Base Unit
540-1	Front Door (M)
550-1	Front Door (A)
560-1	Bottle Door
580-1	Cabinet (M)
590-1	Cabinet (A)
600-1	Basic Unit (M)
600-2	Basic Unit (M)
600-3	Basic Unit (M)
600-4	Basic Unit, Tubing (M)
600-5	Basic Unit, El.Connection (M)
650-1	Basic Unit (A)
650-2	Basic Unit (A)
650-3	Basic Unit (A)
650-4	Basic Unit, Tubing (A)
650-5	Basic Unit, El.Connection (A)
700-1	Waste Unit
710-1	Sampler Kit
800-1	ACZ Module
800-2	Tubing of Basic Unit with ACZ Module
810-1	ACZ Pipette Unit
820-1	ACZ Valve Unit
830-1	ACZ Pipette
850-1	Accessories
900	PCIO / ArcNet PCB

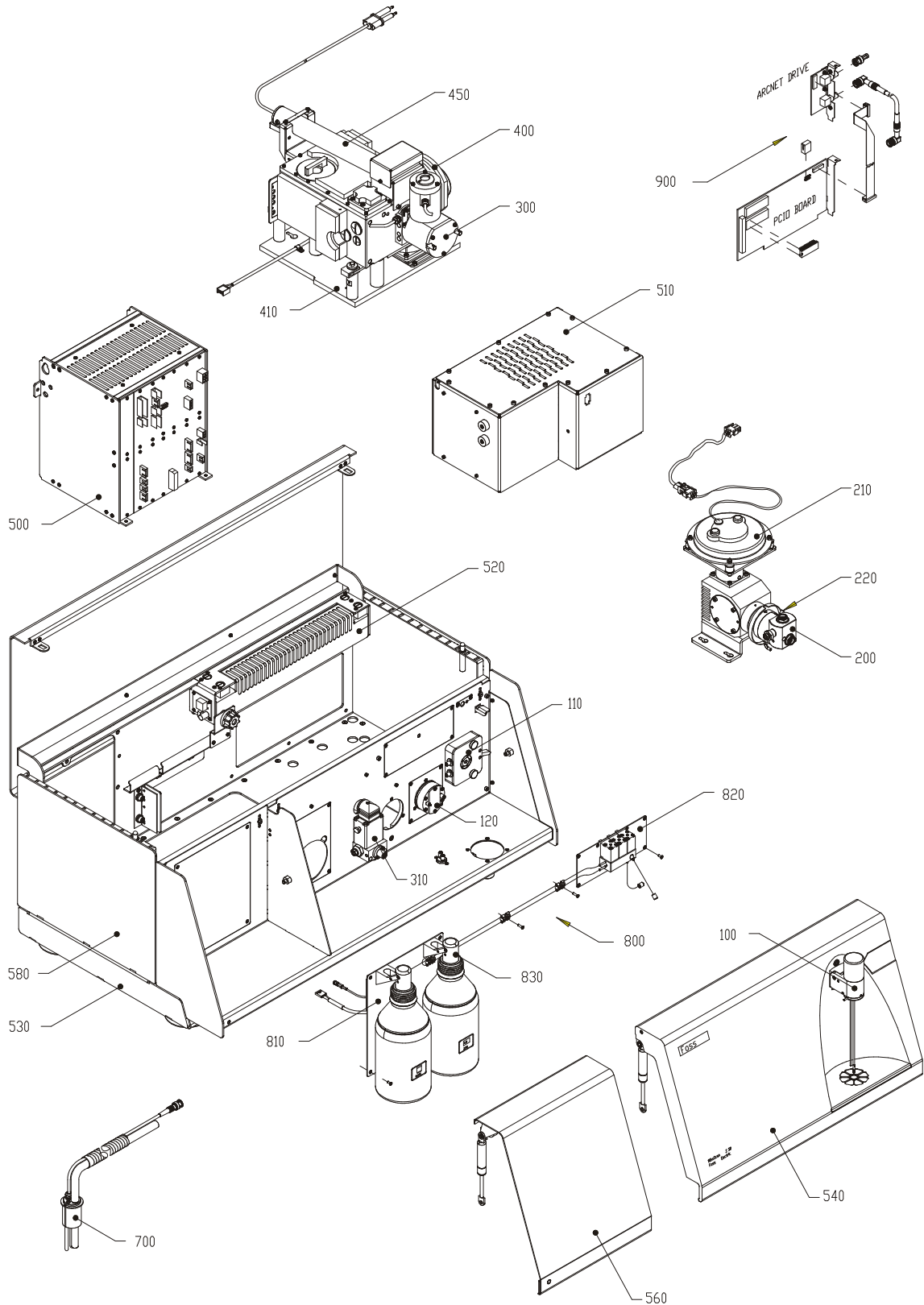


Fig. 1 MilkoScan FT120 (M)

This page intentionally left blank.

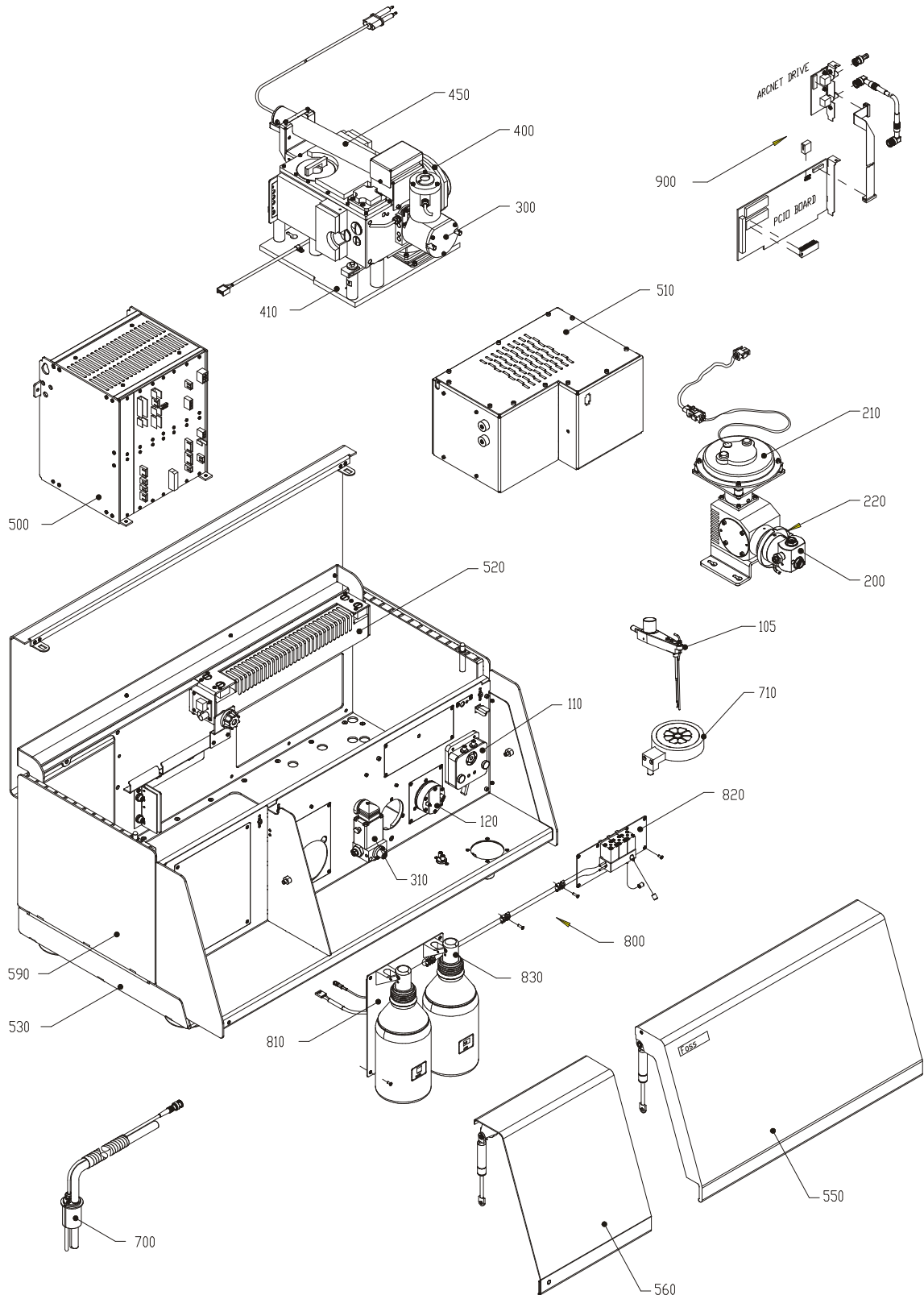


Fig. 2 MilkoScan FT120 (A)

3 Pipette Unit (M)

Drawing No.: 00537662**Page: 100-1**

Pos.	Part No.	Description	Prod. No.
1	00499699	Bottom	
2	00370205	Grommet	
3	00499863	Pipette tube assy	
6	00539056	Filter	
7	00537670	Sensor rod	
9	00306993	Nut	
12	00007823	Nut m6	
15	00537688	Motor assembly	
15-6	00537696	Cable harness	
16	00299313	Washer	
17	00227348	Allen screw M3x6	
20	00011775	Washer	
21	00306993	Nut	
24	00054437	O-ring	
25-4	00482737	Spring	
28	00417196	Allen screw	
30	00189449	Allen screw	
31	00435321	Springwasher	
35	00499715	Ball bearing	

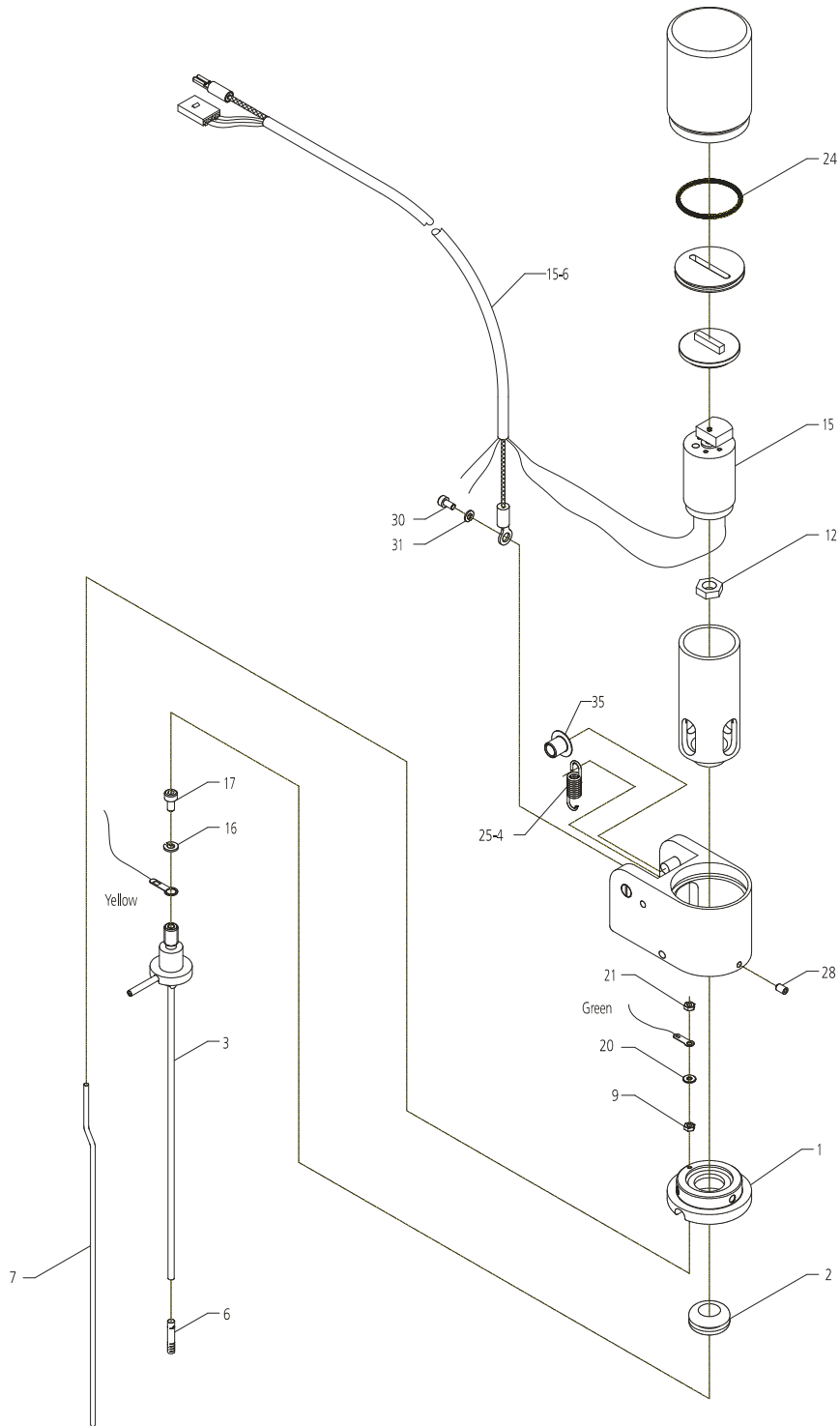
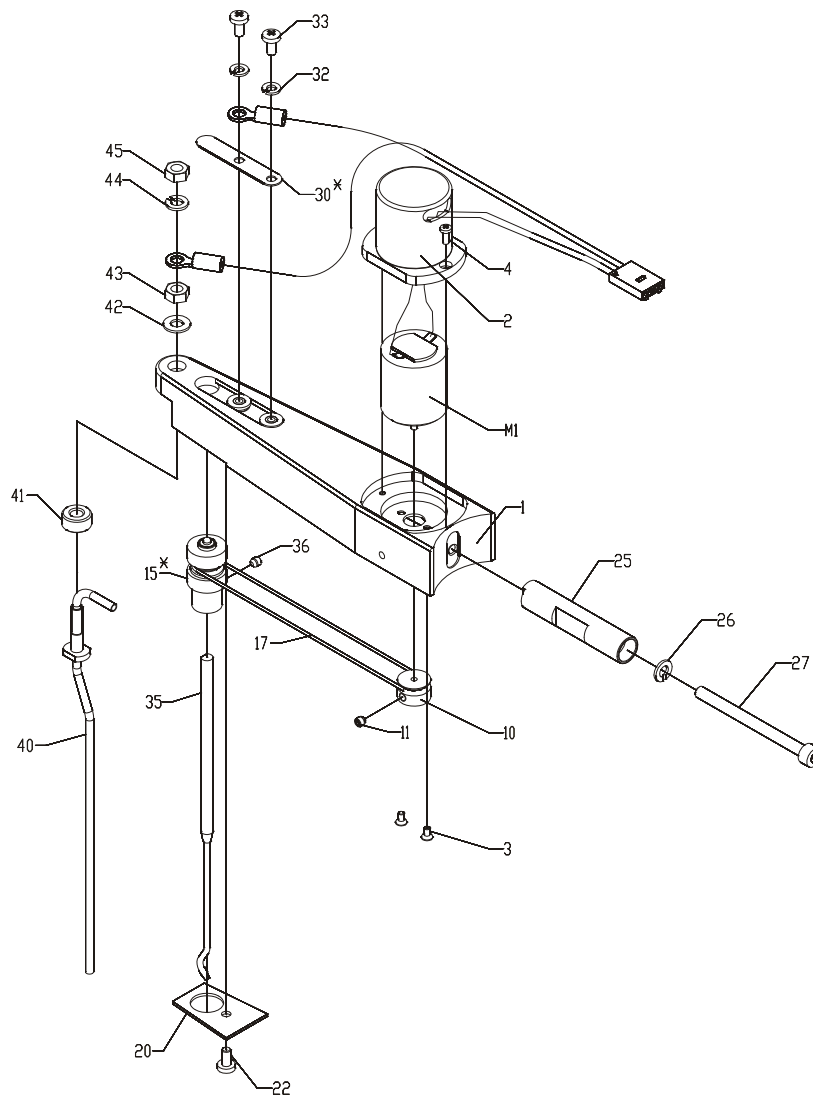


Fig. 3

4 Pipette Unit (A)

Drawing No.: 01011033**Page: 105-1**

Pos.	Part No.	Description	Prod. No.
1	01015818	Arm cpl	
4	00820027	Screw m2x05	
11	00140525	Allen screw	
17	01020613	O-ring	
22	00820209	Screw m3x06	
26	00109108	Springwasher	
27	00217851	Screw m4x50	
30	01011050	Spring	
32	00299313	Washer	
33	00820209	Screw m3x06	
35	00504498	Stirrer cpl.	
36	00140525	Allen screw	
40	01011055	Pipette	
43	00051433	Nut m4	
44	00109108	Springwasher	
45	00051433	Nut m4	
M1	01020607	Motor assembly	



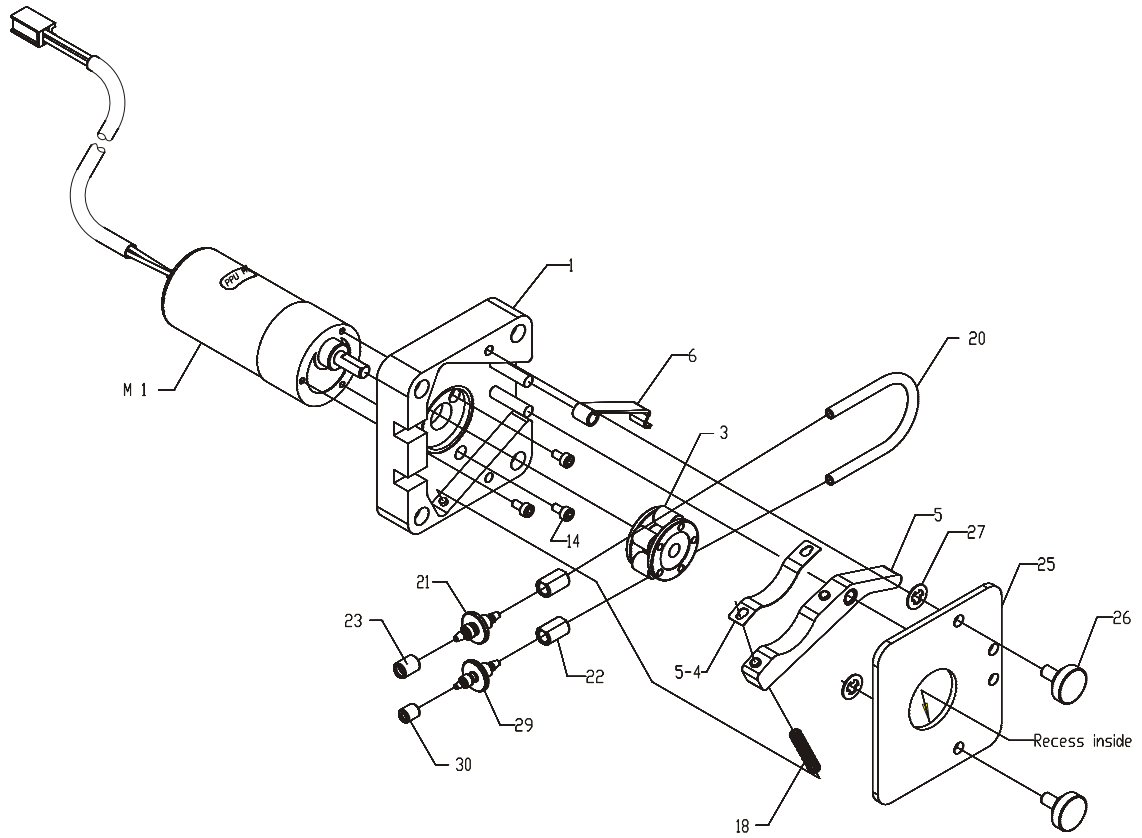
Rub between pos 15 and 30 with Contact pos 31.

Fig. 4

5 Tube Pump

Drawing No.: 00536755**Page: 110-1**

Pos.	Part No.	Description	Prod. No.
3	00495705	Roller wheel	
5-4	00495085	Band	
14	00227348	Allen screw M3x6	
18	00495739	Spring	
20	00536771	Tube	
21	00495499	Stub	
22	00538058	Union	
23	00495135	Union	
25	00495093	Lid	
26	00495432	Finger screw	
27	00528364	Lock Washer	
29	01015329	Stub	
30	00219121	Union	
M1	00538629	Motor assembly	



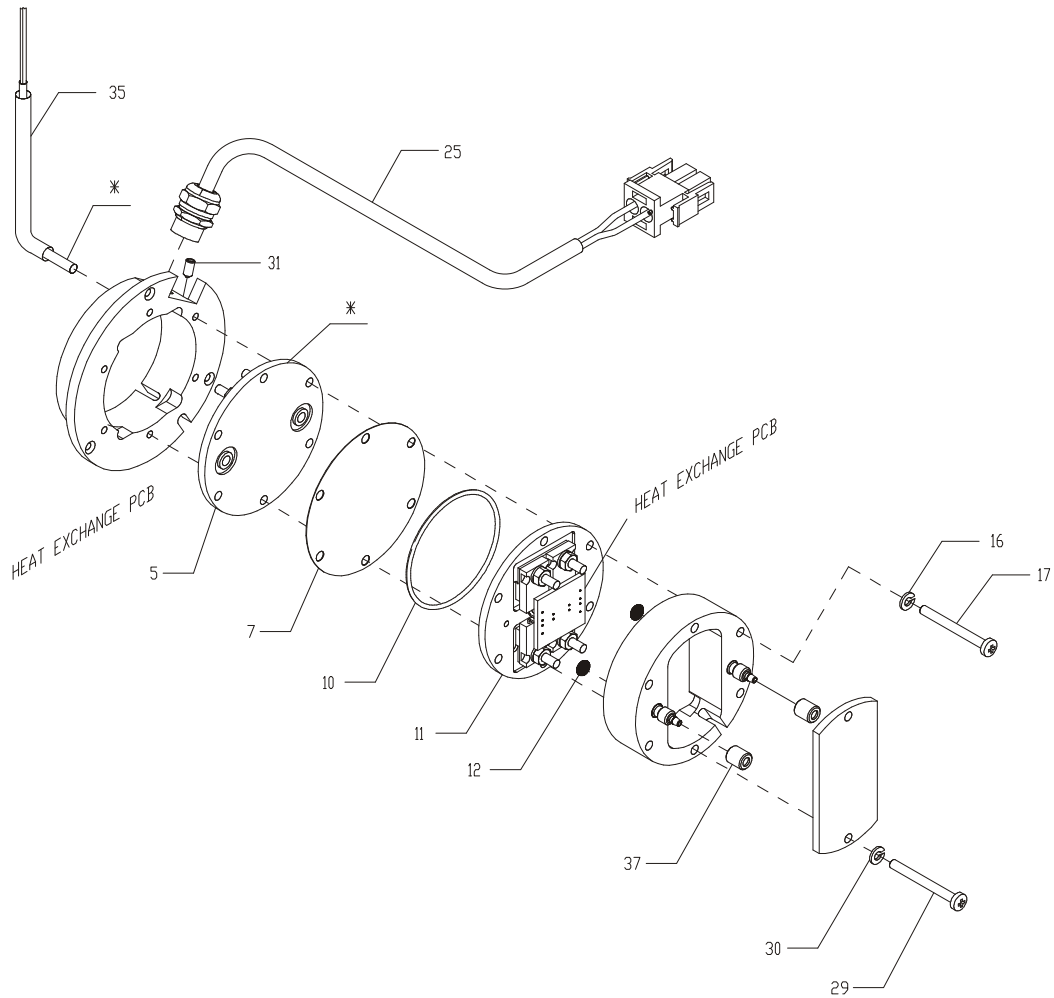
110

Fig. 5

6 Heat Exchanger

Drawing No.: 00537324 **Page:** 120

Pos.	Part No.	Description	Prod. No.
5	60046150	Heat shield	00537274
7	60000275	Disc	
10	00537266	O-ring	
11	60000299	Heat shield	
12	00078949	O-ring	
16	00299313	Washer	
17	00820290	Screw m3x30	
25	00537290	Cable assembly	
29	00820290	Screw m3x30	
30	00299313	Washer	
31	00140525	Allen screw	
35	00537308	NTC-complete	
37	00219121	Union	



* Apply Heat Sinc Compound P/N 60251

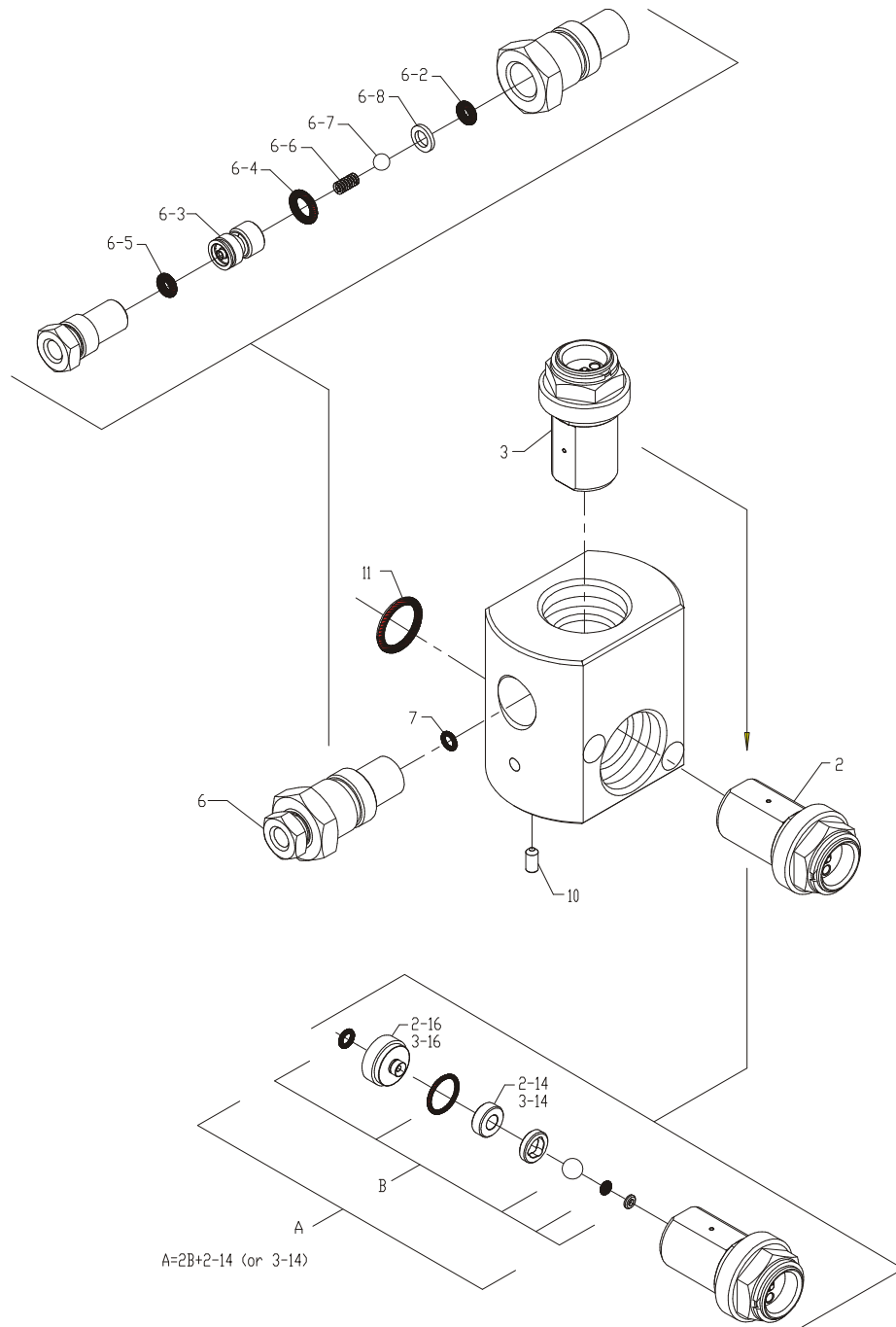
120

Fig. 6

7 Homogeniser

Drawing No.: 00499202**Page: 200**

Pos.	Part No.	Description	Prod. No.
2	60023664	Plug cpl.	
2-14	60023668	Seat, SNC-1	
2-16	00503433	Screw	
3	60023664	Plug cpl.	
3-14	60023668	Seat, SNC-1	
3-16	00503433	Screw	
6	60046154	Stop Valve	00538280
6-2	00845610	O-ring	
6-3	00496471	Support	
6-4	00539551	O-ring	
6-5	00243667	O-ring	
6-6	00538165	Spring	
6-7	00176750	Ruby ball	
6-8	00845891	Ring	
7	00503615	O-ring	
10	00144592	Allen screw	
11	00248542	O-ring	
A	60026439	Repair kit A for plug SNC-1	
B	60026421	Repair kit B for plug SNC-1	



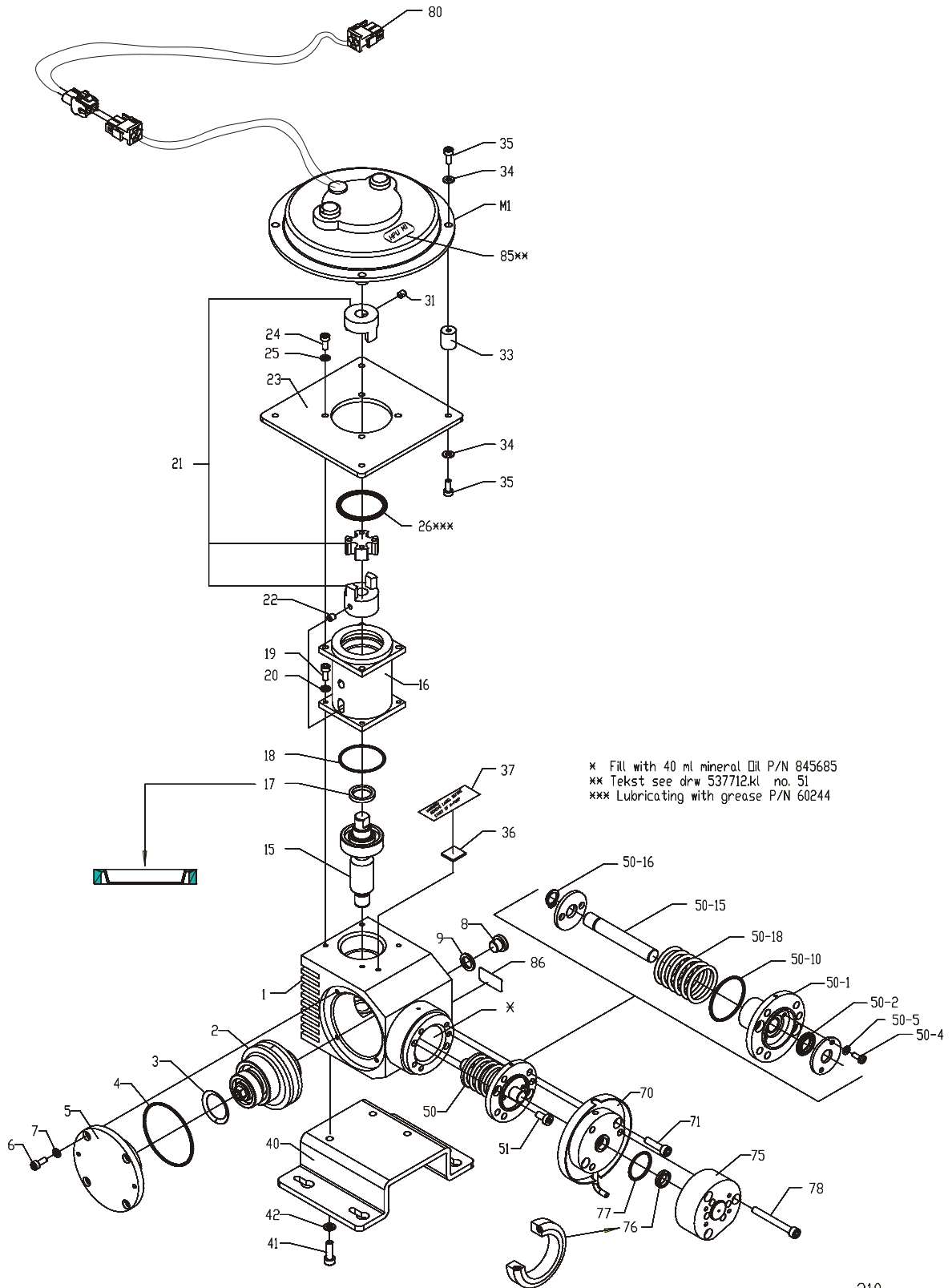
200

Fig. 7

8 H-Pump

Drawing No.: 00536730**Page: 210-1**

Pos.	Part No.	Description	Prod. No.
1	00844696	Gearhouse cpl.	
2	00844720	Ball bearing complet, P/d 71610	
3	00844761	Spring	
4	00844738	O-ring	
6	00011569	Allen screw	
7	00109108	Springwasher	
9	01015330	Nylon gasket	
15	00841809	Worm cpl.	
17	00844753	Gasket	
18	00166009	O-ring	
19	00011569	Allen screw	
20	00109108	Springwasher	
21	00482521	Coupling	
22	00841247	Allen screw	
24	00011569	Allen screw	
25	00109108	Springwasher	
26	00331108	O-ring	
31	00841247	Allen screw	
33	00482539	Stay	
34	00109397	Washer	
35	00011569	Allen screw	
41	00202614	Screw	
42	00357897	Springwasher	
50	60026361	Piston Cpl P/D 71210	
50-1	00840454	Guide	
50-2	00844803	Stepseal	
50-4	00820217	Screw m3x08	
50-5	00299313	Washer	
50-10	00054411	O-ring	
50-15	60026363	Piston SNC-1	
50-16	00164772	Retaining ring	
50-18	00846907	Spring	
51	00844837	Allen screw	
70	00536722	Flange	
71	00201145	Allen screw	
75	00496364	Pump head	
76	60026358	VL Seal incl. Viton O-ring	
77	00287904	O-ring	
78	00821744	Allen screw	
80	00538587	Cable assy	
M1	00844787	Motor	



210

Fig. 8

9 One Way Valve

Drawing No.: 60002385 Page: 220-1

Pos.	Part No.	Description	Prod. No.
2	00176750	Ruby ball	
4	00540021	O-ring	
5	00846972	O-ring	
6	00219121	Union	

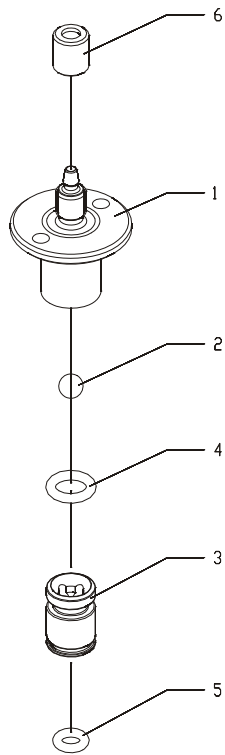
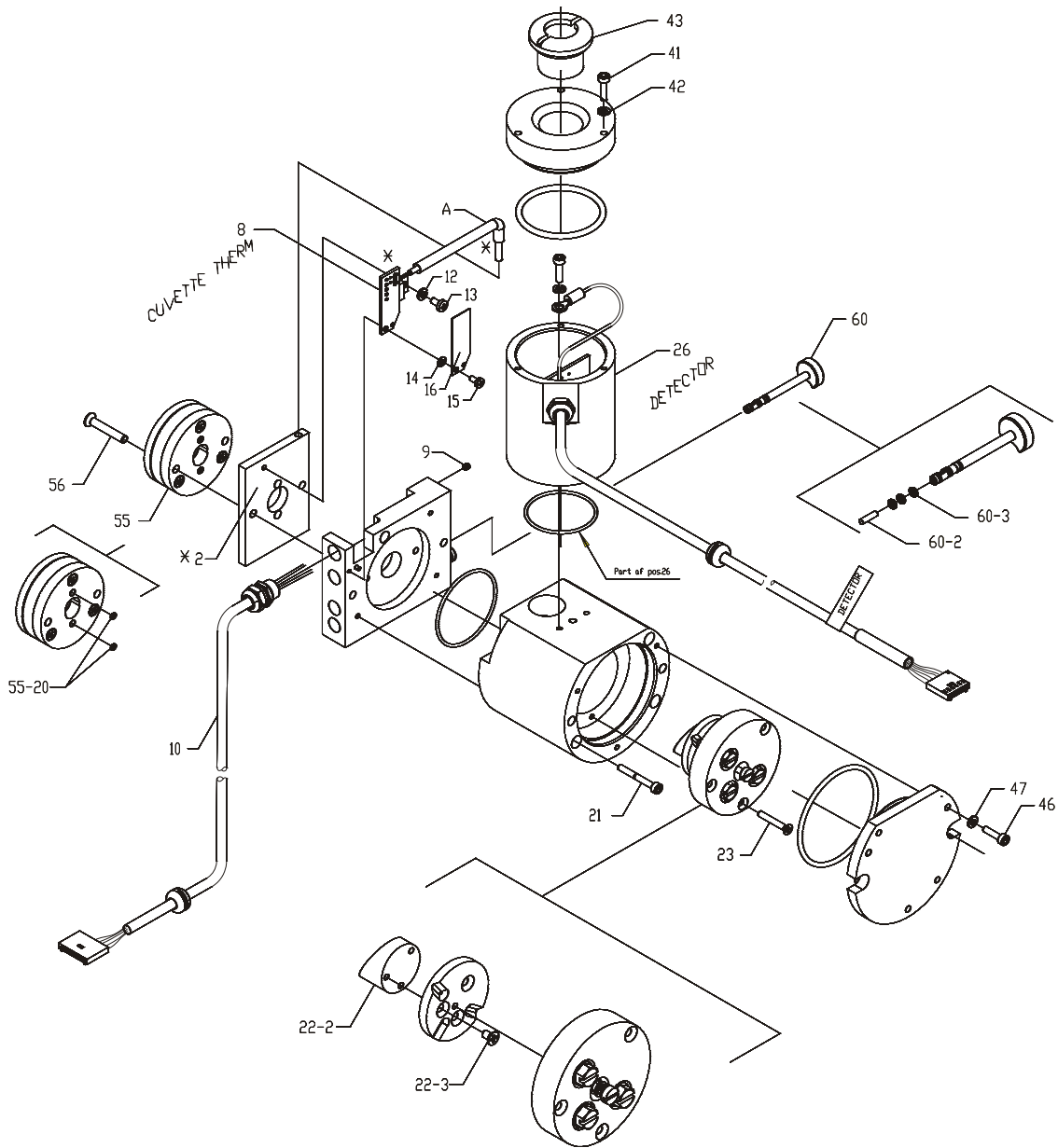


Fig. 9

10 Detector Unit

Drawing No.: 01015296 **Page:** 300-1

Pos.	Part No.	Description	Prod. No.
2	00494989	Distributor	
8	00520411	Cuvette thermostat PCB	
9	00140525	Allen screw	
10	00537480	Cable assembly	
12	00299313	Washer	
13	00820209	Screw m3x06	
14	00435321	Springwasher	
15	00820100	Screw m2.5x05	
21	00708826	Allen screw	
22-2	00496372	Mirror	
22-3	00821272	Screw m3x06	
23	00821348	Screw m3x20	
26	01015292	Pre-amplifier w. house	
41	00108480	Allen screw	
42	00299313	Washer	
43	00445890	Cartridge	
46	00219147	Allen screw	
47	00299313	Washer	
55	00540146	Cuvette	
55-20	00368365	O-ring	
56	00821504	Screw m4x25	
60	60004872	Filter stick	
60-2-A	01055040	Inlinefilter 42µ (1 pc)	
A	00514679	Thermistor	



* Apply Heat Sinc Compound P/N 60251

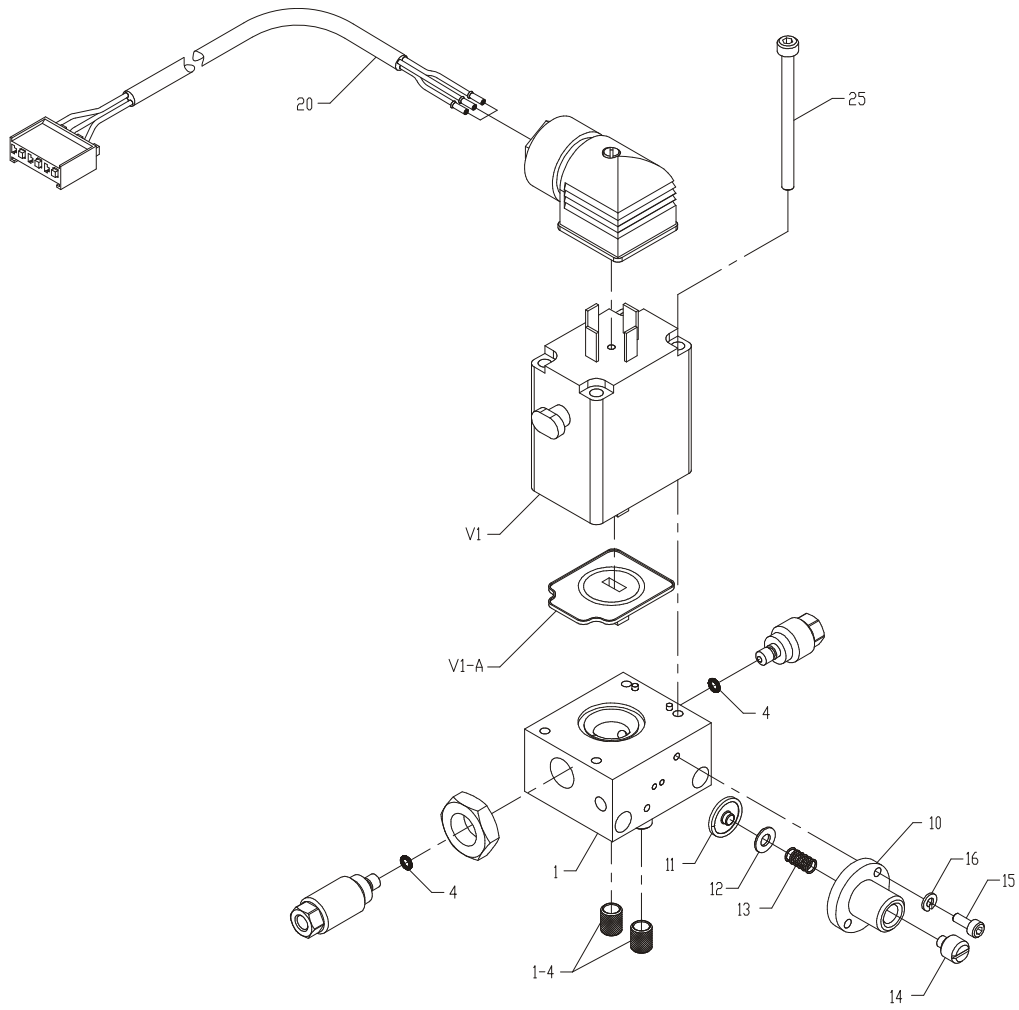
300

Fig. 10

11 Flow Control Unit

Drawing No.: 00536805 **Page:** 310

Pos.	Part No.	Description	Prod. No.
1	00540591	Rinse block	
1-4	00495135	Union	
4	00198499	O-ring	
10	00496273	Valve house	
11	60027829	Membrane	
12	00000414	Washer	
13	00325639	Spring	
14	00536425	Adjustment screw	
15	00705251	Screw	
16	00299313	Washer	
20	00536813	Cable assembly	
25	00243451	Screw m4x55	
V1	00499855	Magnet system	
V1-A	00536763	Membrane	



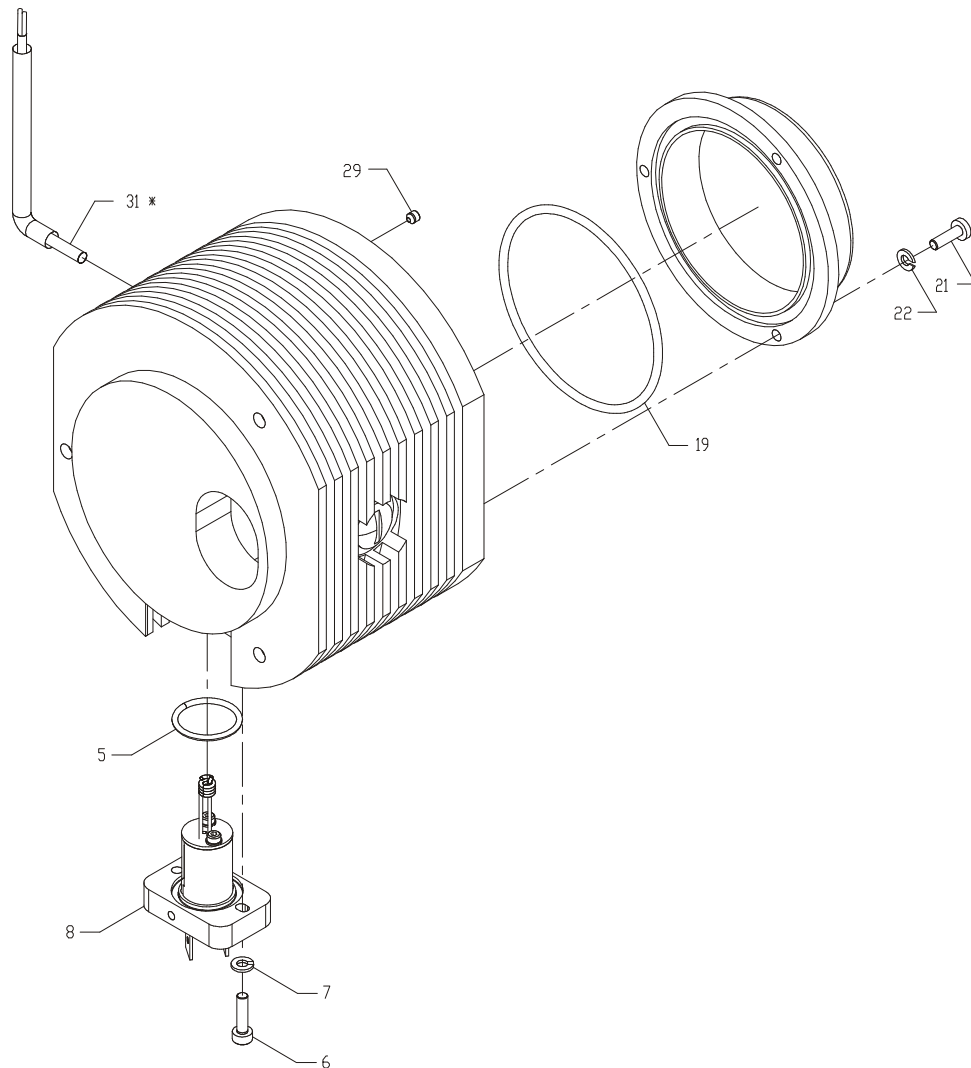
310

Fig. 11

12 Source Unit

Drawing No.: 00536565 **Page:** 400

Pos.	Part No.	Description	Prod. No.
5	00209452	O-ring	
6	00219147	Allen screw	
7	00299313	Washer	
8	00536557	Source assembly	
19	00536581	O-ring	
21	00820225	Screw m3x10	
22	00299313	Washer	
29	00140525	Allen screw	
31	00536599	NTC-complete	



* Apply Heat Sinc Compound P/N 60251

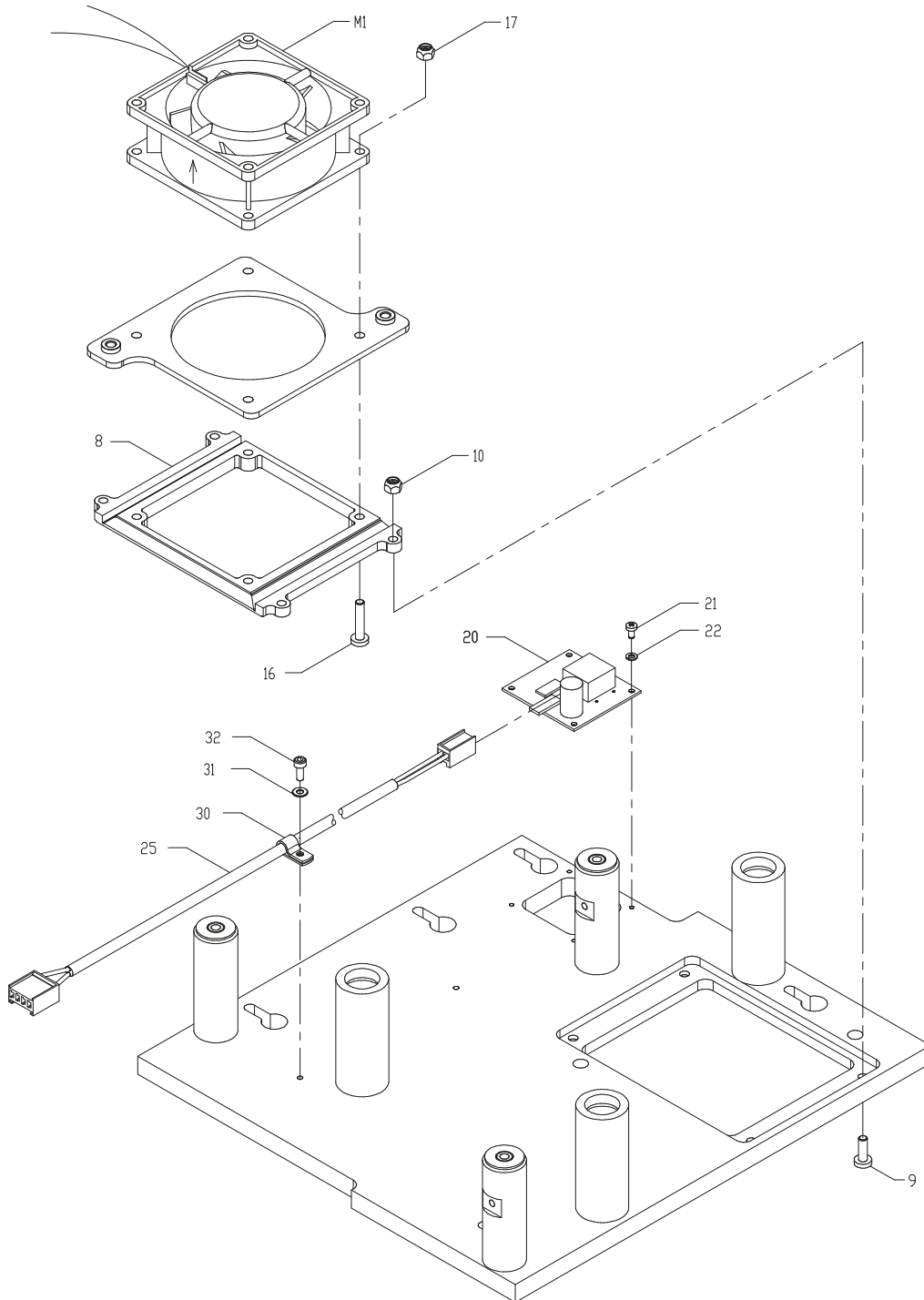
400

Fig. 12

13 Vibration Damper

Drawing No.: 00536656**Page: 410**

Pos.	Part No.	Description	Prod. No.
8	00538082	Foot	
9	00820373	Screw m4x12	
10	00111872	Lock nut m4	
16	00820415	Screw m4x20	
17	00111872	Lock nut m4	
20	00520353	Fan drive PCB	
21	00820100	Screw m2.5x05	
22	00435321	Springwasher	
25	00537555	Cable assembly	
30	00053207	Nylon clamp	
31	00000554	Washer	
32	00705251	Screw	
M1	00499517	Fan	



410

Fig. 13

14 Interferometer Unit

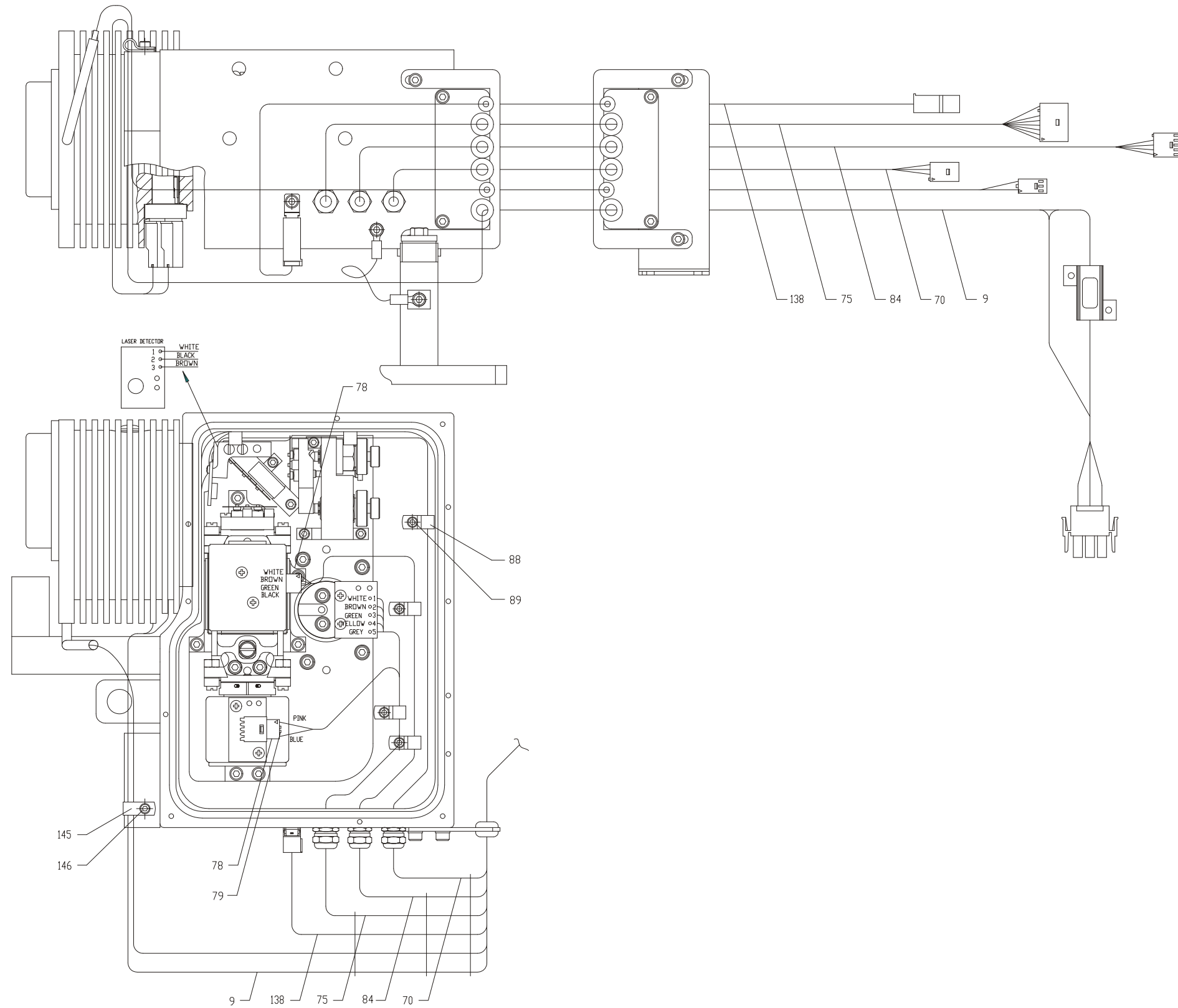
Drawing No.: 00537167 **Page:** 450-1

Pos.	Part No.	Description	Prod. No.
13	00536540	Damper	
20	00499608	Washer	
21	00538645	Screw	
24	00291724	Allen screw M4x12	
27	00536474	Stopper with o-ring	
28	00536466	Stopper with o-ring	
32	00702308	O-ring ø20xø1.5	
33	00536961	Windows	
34	00821280	Screw m3x08	
35	00821462	Screw m4x16	
38	00536979	Baseplate	
40	00201137	Allen screw	
45	60046107	Motor	00536953
46	00201152	Allen screw	
48	00495648	Mirror Bracket	
49	00219147	Allen screw	
52	00536987	Beamsplitter	
53	00219147	Allen screw	
58	00416693	Screw	
59	00109108	Springwasher	
61	01015197	O-ring	
62	00582999	Print assy Laser Detector PCB	
63	00820027	Screw m2x05	
76	00536664	Thermostat unit	
77	00230441	Allen screw	
95	01010727	O-ring	
98-13	00710624	Allen screw	
99	00108480	Allen screw	
101	00333625	O-ring	
102	01000462	Si. cartridge	
102-3	01000632	Filter for Si.Cartridge	
102-6	01015633	Label	
102-8	01011078	Grease apiezon L-type ultra high	
117	60027290	Laser Lamp	
120	00496786	Plate spring	
121	00227348	Allen screw M3x6	
154	00256701	Allen screw	
163	00109108	Springwasher	
164	00710624	Allen screw	
175	01015293	Screw	
A	00536458	Stopper	

15 Interferometer Unit

Drawing No.: 00537167 *Page: 450-2*

Pos.	Part No.	Description	Prod. No.
9	00537084	Cable assembly	
70	00537001	Cable assembly	
75	00536995	Cable assembly	
78	00410555	Plug	
79	00326405	Code pin	
84	00537027	Cable assembly	
88	00053207	Nylon clamp	
89	00705251	Screw	
138	00537076	Cable cpl.	
145	00053207	Nylon clamp	
146	00227348	Allen screw M3x6	



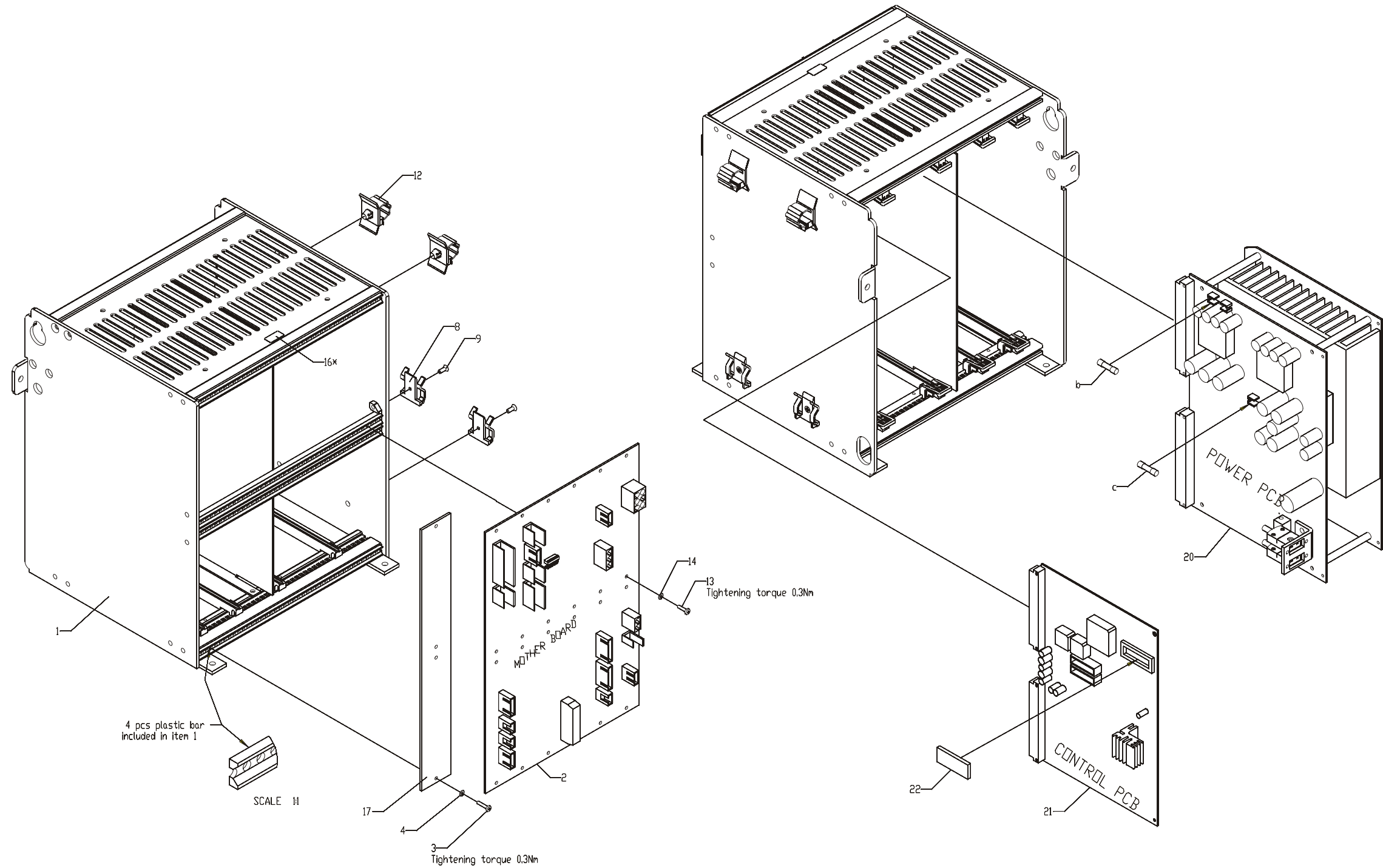
450-2

Fig. 15

16 Electronics Rack

Drawing No.: 00536672 *Page:* 500-1

Pos.	Part No.	Description	Prod. No.
2	00465856	Motherboard	
3	00821827	Screw m2.5x12	
4	00435321	Springwasher	
12	00480889	Cable holder	
13	00820126	screw	
14	00435321	Springwasher	
20	00583559	Print assy Power pcb	
21	00582718	Print assy control pcb	
22	00519157	P-rom	
B	00191007	Fuse	
C	00127316	Fuse 10 A, slow	



* Text, see dwg 537712.kl no 53

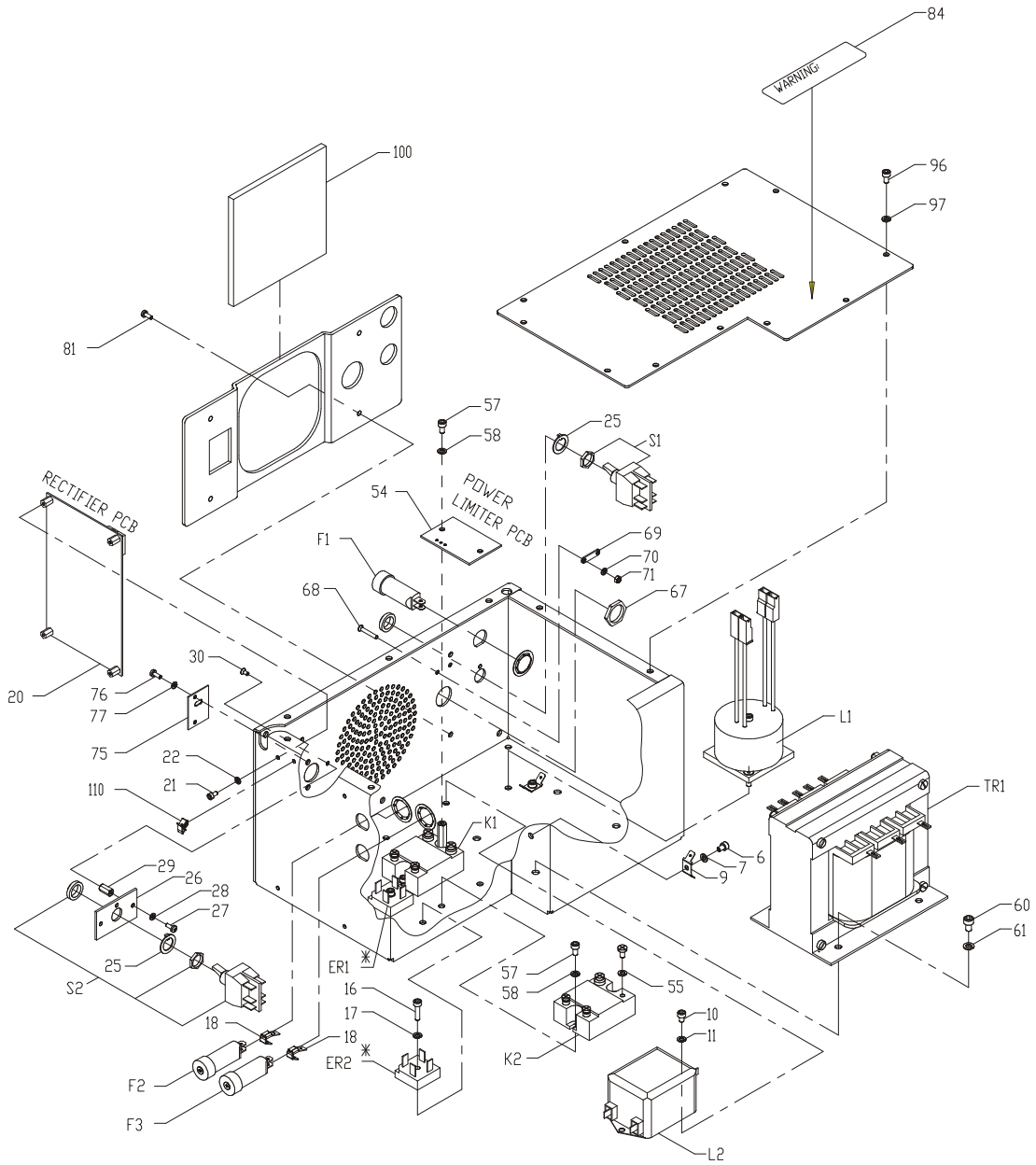
Fig. 16

17 Power Supply

Drawing No.: 00536821

Page: 510-1

Pos.	Part No.	Description	Prod. No.
6	00256701	Allen screw	
7	00109108	Springwasher	
9	00277137	Spade	
10	00256701	Allen screw	
11	00109108	Springwasher	
16	00201152	Allen screw	
17	00109108	Springwasher	
20	00465898	Rectifier PCB	
21	00227348	Allen screw M3x6	
22	00299313	Washer	
25	00238261	Lock washer	
26	00323022	Plate	
27	00820217	Screw m3x08	
28	00299313	Washer	
29	00098186	Stay	
30	00821272	Screw m3x06	
54	00583732	Print assy Power Limiter Pcb	
55	00109108	Springwasher	
57	00710624	Allen screw	
58	00109108	Springwasher	
60	00709550	Allen screw	
61	00357897	Springwasher	
67	00046458	Nut pg11	
68	00821348	Screw m3x20	
69	00035022	Cable clamp	
70	00299313	Washer	
71	00153403	Nut	
75	00501379	Plate	
76	00820217	Screw m3x08	
77	00299313	Washer	
81	00820217	Screw m3x08	
84	00280966	Label	
96	00710624	Allen screw	
97	00109108	Springwasher	
100	00537787	Filter	
110	00496828	Cable holder	
ER01	00384172	Bridge rectifier	
ER02	00384172	Bridge rectifier	
F1	00263517	Fuse aut.	
F2	00497107	Fuse	
F3	00263517	Fuse aut.	
K1	00497008	Relay	
K2	00497008	Relay	
L1	01015267	Noise filter	
L2	00435115	Noise filter	
S1	00276998	Switch	
S2	00276998	Switch	
TR01	00496877	Transformer	



* Apply Heat Sinc Compound P/N 60251

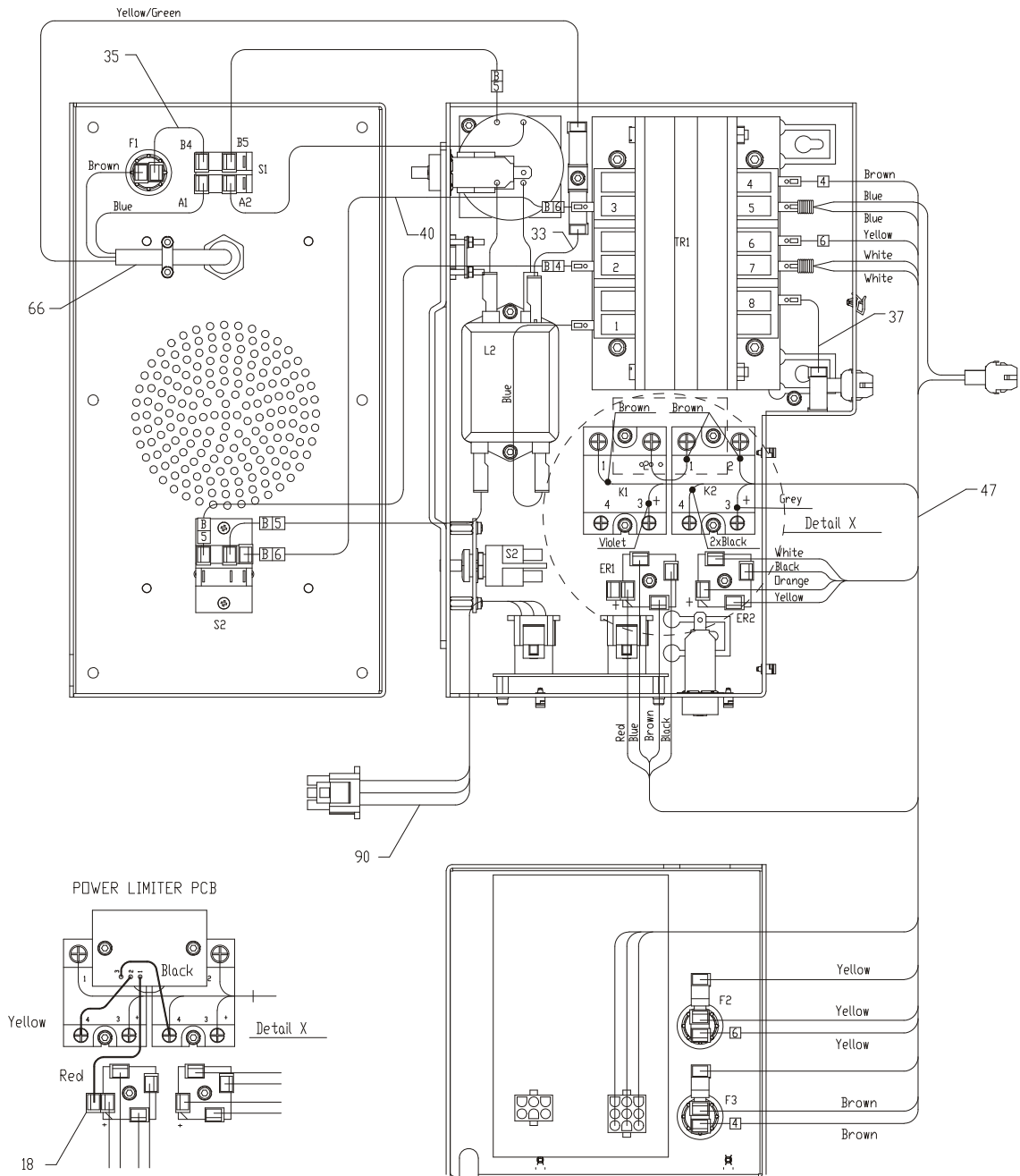
510-1

Fig. 17

18 Power Supply, El. Connection

Drawing No.: 00536821**Page: 510-2**

Pos.	Part No.	Description	Prod. No.
18	00052118	Plug	
33	00536847	Earth wire	
35	00536854	Cable cpl.	
37	00536862	Cable cpl.	
40	00536870	Cable harness 1	
47	00536888	Cable harness 2	
66	00536839	Power cable Power enhed P/d 71210	
90	00536896	Cable assembly	



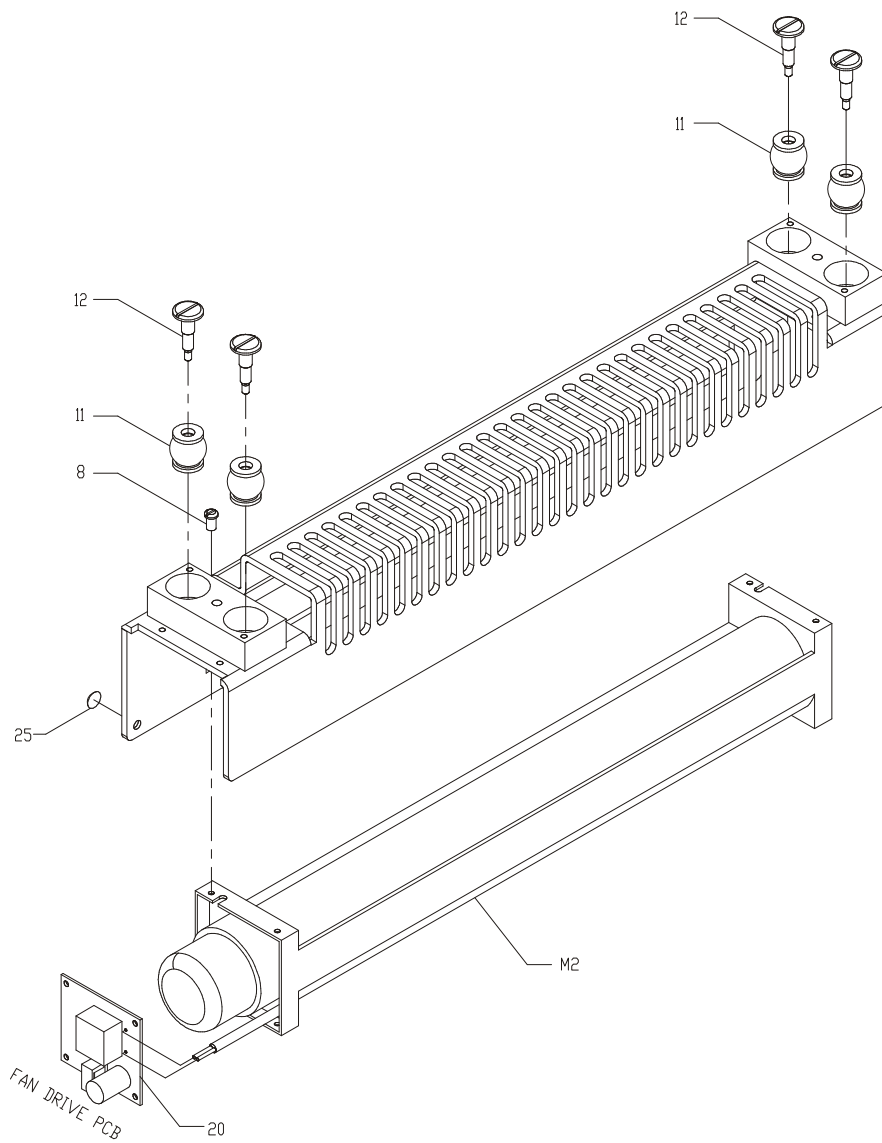
510-2

Fig. 18

19 Fan Unit

Drawing No.: 00536748**Page: 520**

Pos.	Part No.	Description	Prod. No.
8	00011429	Screw	
11	00538157	Damper	
12	00538132	Screw	
20	00520353	Fan drive PCB	
25	00433698	Rubber Pad	
M2	00363762	Fan	



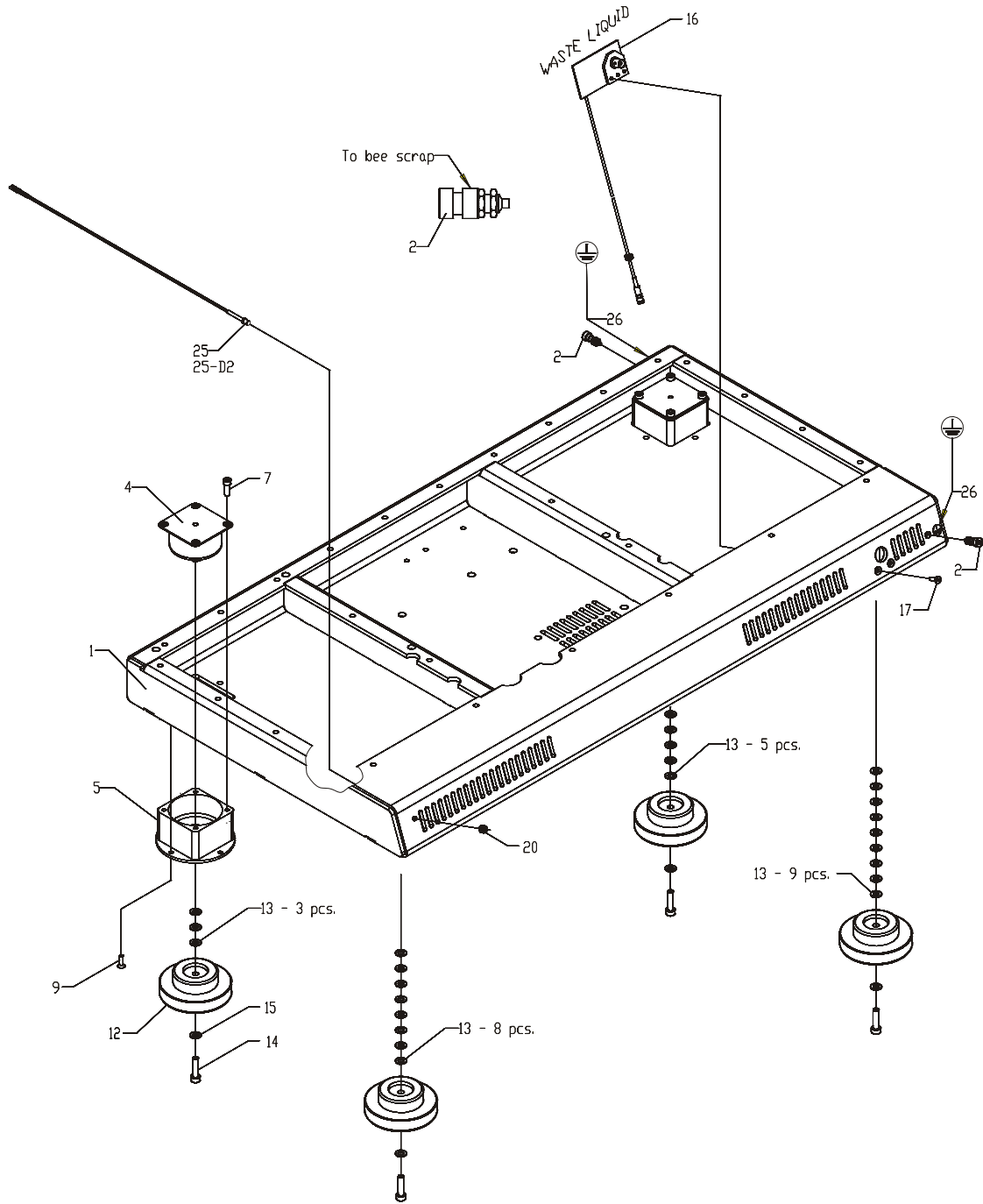
520

Fig. 19

20 Base Unit

Drawing No.: 00537175**Page: 530**

Pos.	Part No.	Description	Prod. No.
4	00499905	Shockabsorber	
7	00705012	Screw	
9	00412346	Screw m4x12	
13	00187484	Washer	
14	00057950	Allen screw	
15	00187484	Washer	
16	00520437	Waste liquid PCB	
17	00277772	Allen screw	
20	00452128	Grommet	
25-D2	00497537	LED green	



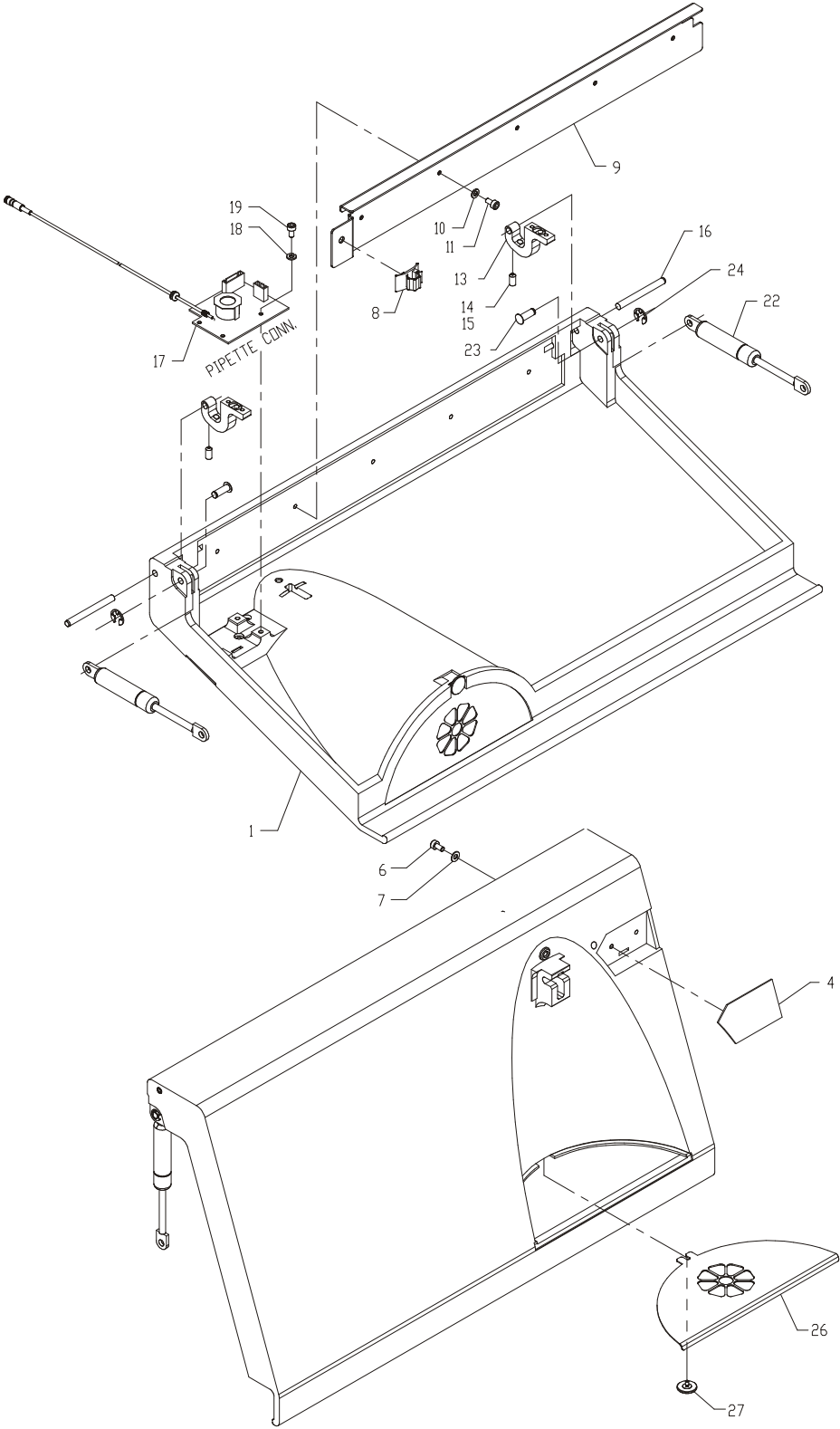
530

Fig. 20

21 Front Door (M)

Drawing No.: 00537415**Page: 540**

Pos.	Part No.	Description	Prod. No.
1	01000408	Front cover	
4	00537423	Switch cpl.	
6	00296640	Washer	
7	00227348	Allen screw M3x6	
8	00343335	Kabelholder	
9	00499467	Plate	
10	00299313	Washer	
11	00227348	Allen screw M3x6	
13	00496638	Stand	
14	00117572	Allen screw	
16	00540468	Pin	
17	00520452	Pipette Connection PCB	
18	00299313	Washer	
19	00227348	Allen screw M3x6	
22	00482760	Damper	
23	00496620	Bearing	
24	00403691	Retaining ring	
26	00540138	Funnel grid	
27	00537852	Screw	



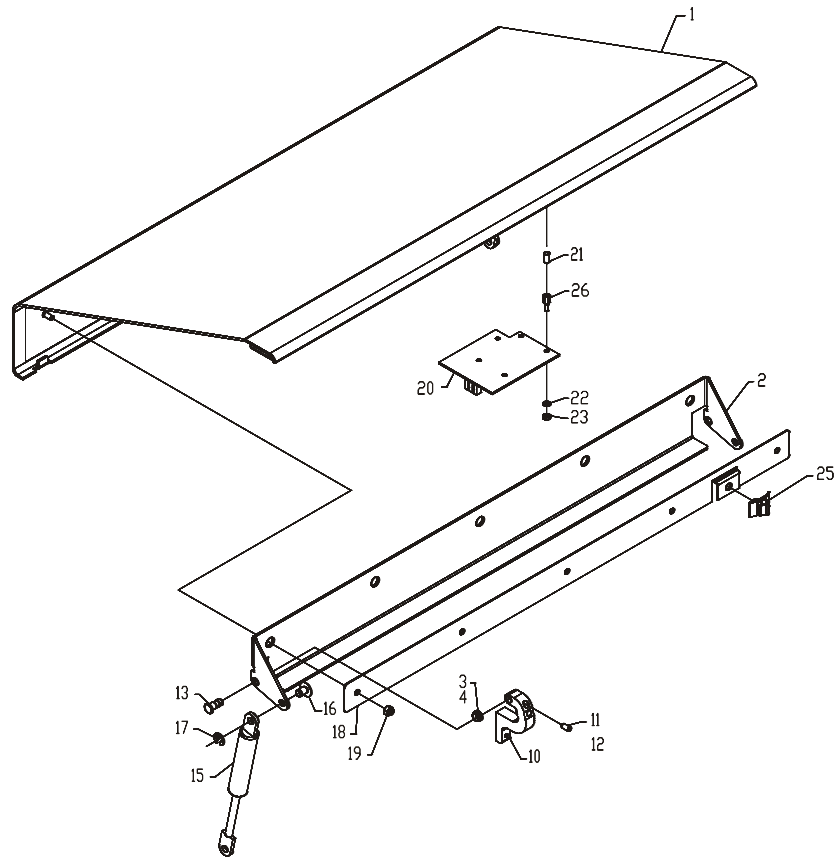
540

Fig. 21

22 Front Door (A)

Drawing No.: 01020604**Page: 550**

Pos.	Part No.	Description	Prod. No.
1	01020605	Front lid	
2	01000113	Hinge plate	
3	00499392	Bearing	
10	00496638	Stand	
11	00117572	Allen screw	
13	00499434	Bearing	
15	00482760	Damper	
16	00499418	Bearing for top	
17	00403691	Retaining ring	
18	01005171	Plate	
19	00111872	Lock nut m4	
20	00520452	Pipette Connection PCB	
21	00035121	Dist. tube	
22	00299313	Washer	
23	00153403	Nut	
25	00343335	Kabelholder	
26	00377432	Stay	



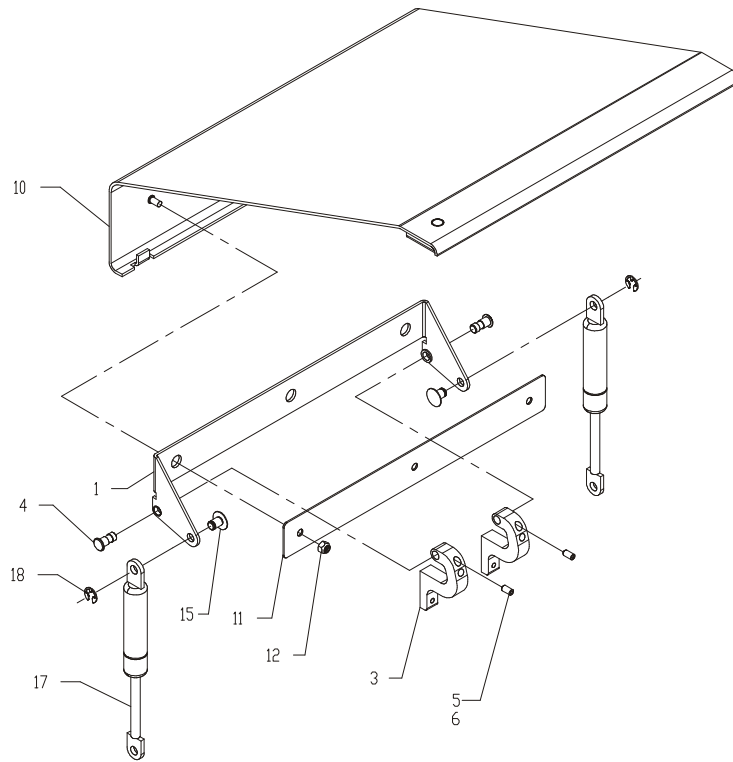
550

Fig. 22

23 Bottle Door

Drawing No.: 00537456**Page: 560**

Pos.	Part No.	Description	Prod. No.
3	00496638	Stand	
4	00499434	Bearing	
5	00117572	Allen screw	
6	00158246	Glue loc. 222	
10	00538389	Cover	
11	00540278	Plate	
12	00111872	Lock nut m4	
15	00499418	Bearing for top	
17	00482760	Damper	
18	00403691	Retaining ring	



560

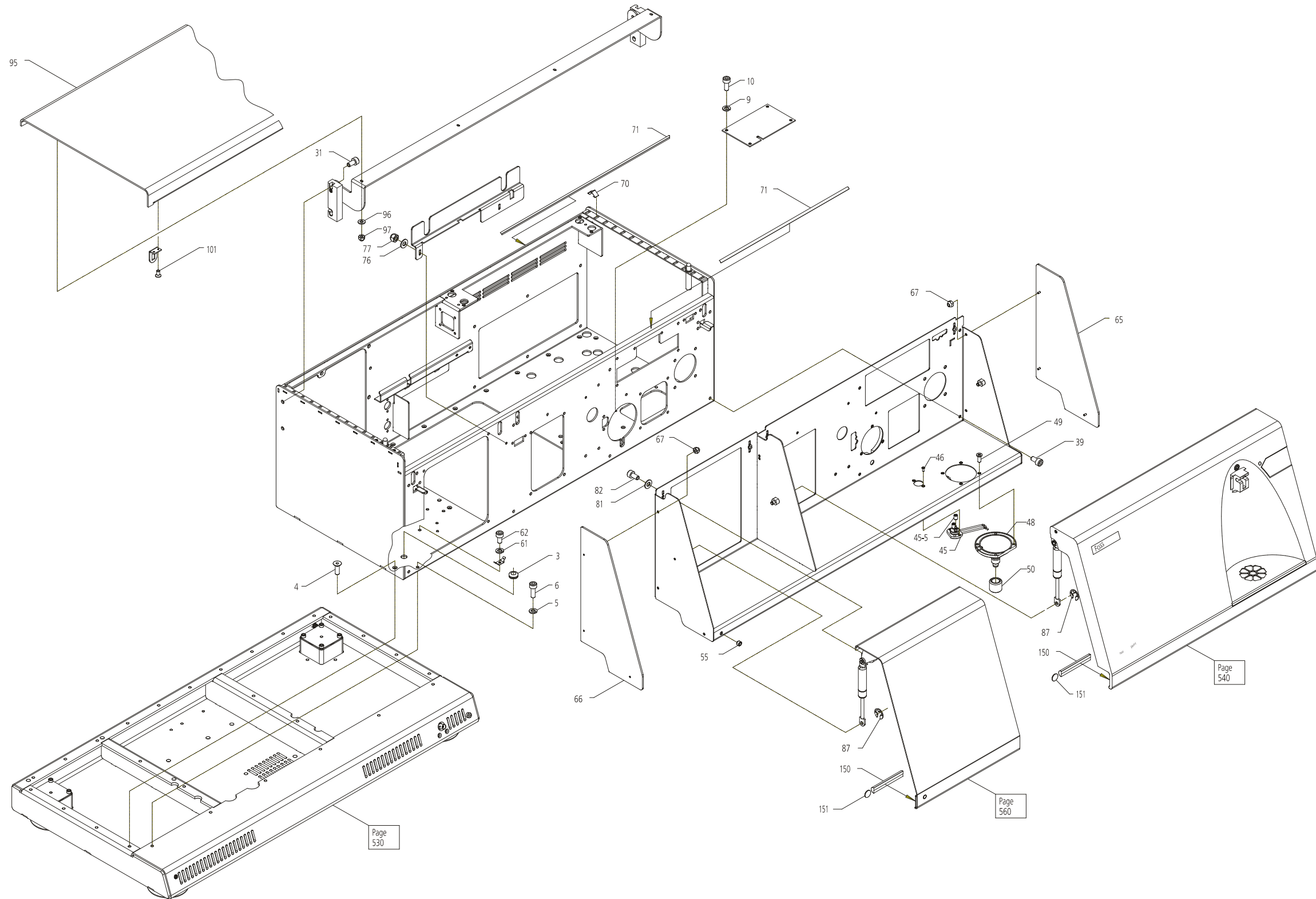
Fig. 23

24 Cabinet (M)

Drawing No.: 00539205

Page: 580

Pos.	Part No.	Description	Prod. No.
3	00370205	Grommet	
4	00277772	Allen screw	
5	00109397	Washer	
6	00291724	Allen screw M4x12	
9	00109108	Springwasher	
10	00011569	Allen screw	
31	00011569	Allen screw	
39	00710624	Allen screw	
45	00536938	Flowcheck	
45-5	00495135	Union	
46	00821280	Screw m3x08	
48	00499954	Funnel	
49	00821280	Screw m3x08	
50	00499921	Union	
55	00497370	Socket	
61	00109108	Springwasher	
62	00710624	Allen screw	
65	00496653	Panel R.	
66	00496661	Panel L.	
67	00299305	Lock nut m3	
70	00499533	EMC-strip	
71	00499541	EMC-strip	
76	00109397	Washer	
77	00111872	Lock nut m4	
81	00109397	Washer	
82	00710624	Allen screw	
87	00403691	Retaining ring	
95	00496455	Lid	
96	00296640	Washer	
97	00299305	Lock nut m3	
101	00821272	Screw m3x06	
150	00433698	Rubber Pad	
151	00539148	Emc-list	

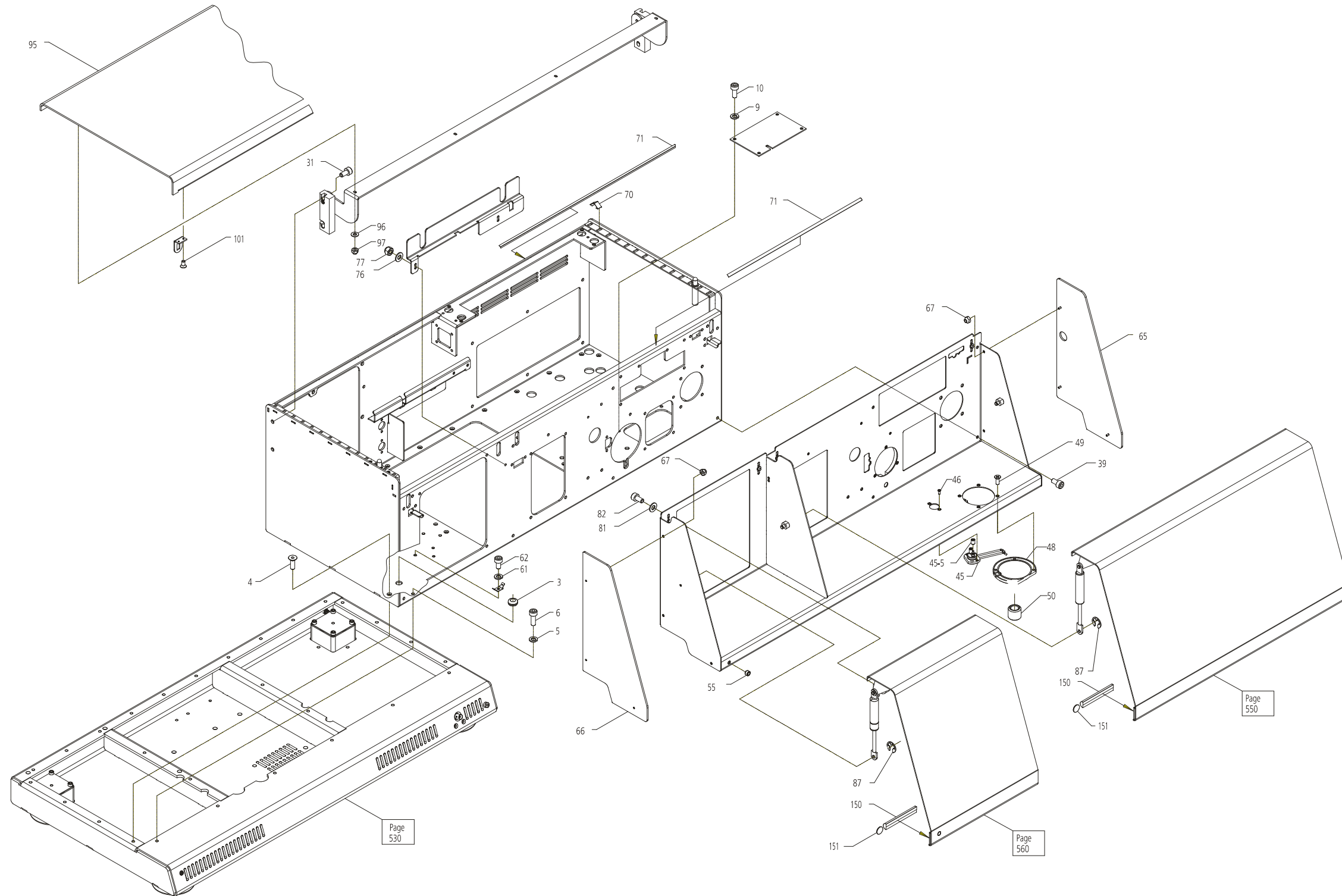


580

Fig. 24

25 Cabinet (A)**Drawing No.: 01020620****Page: 590**

Pos.	Part No.	Description	Prod. No.
3	00370205	Grommet	
4	00277772	Allen screw	
5	00109397	Washer	
6	00291724	Allen screw M4x12	
9	00109108	Springwasher	
10	00011569	Allen screw	
31	00011569	Allen screw	
39	00710624	Allen screw	
45	00536938	Flowcheck	
46	00821280	Screw m3x08	
48	00499954	Funnel	
49	00821280	Screw m3x08	
50	00499921	Union	
55	00497370	Socket	
61	00109108	Springwasher	
62	00710624	Allen screw	
65	01000158	Front right	
66	00496661	Panel L.	
67	00299305	Lock nut m3	
70	00499533	EMC-strip	
71	00499541	EMC-strip	
76	00109397	Washer	
77	00111872	Lock nut m4	
81	00109397	Washer	
82	00710624	Allen screw	
87	00403691	Retaining ring	
95	00496455	Lid	
96	00296640	Washer	
97	00299305	Lock nut m3	
101	00821272	Screw m3x06	
150	00433698	Rubber Pad	
151	00539148	Emc-list	



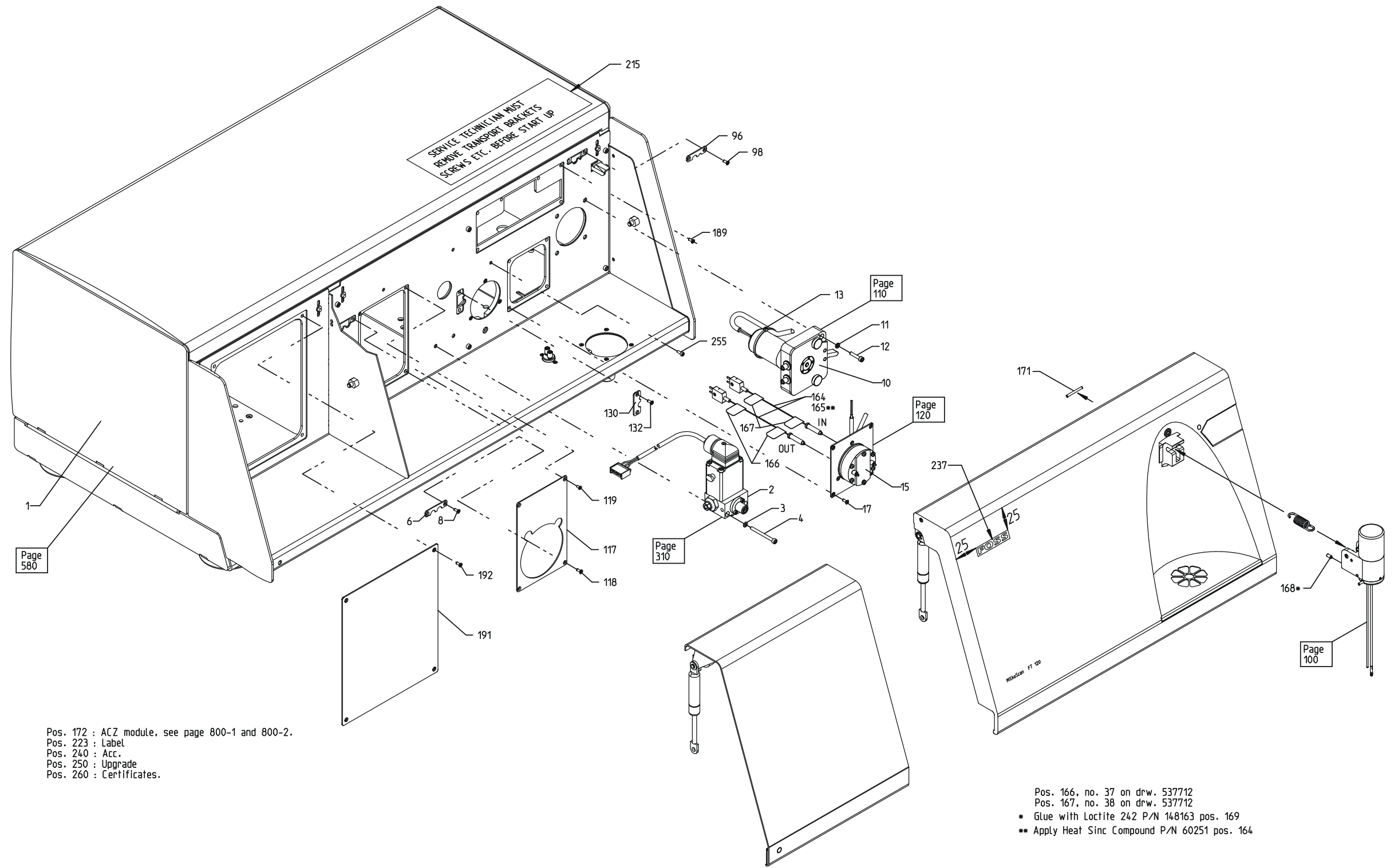
590

Fig. 25

26 Basic Unit (M)

*Drawing No.: 00537712**Page: 600-1*

Pos.	Part No.	Description	Prod. No.
2	60046106	Flow Control	00536805
3	00109108	Springwasher	
4	00194282	Screw m4x40	
8	00821280	Screw m3x08	
10	60046105	Tube pump	00536755
11	00109108	Springwasher	
12	00201137	Allen screw	
15	00537324	Heat exchanger	
17	00821280	Screw m3x08	
83	00109108	Springwasher	
84	00820357	Screw m4x08	
98	00821280	Screw m3x08	
118	00821256	Screw	
119	00821272	Screw m3x06	
132	00821280	Screw m3x08	
165	00496869	Thermocoupler	
168	00117572	Allen screw	
171	00178780	Pin	
189	00821280	Screw m3x08	
192	00821280	Screw m3x08	
255	00705251	Screw	



Pos. 172 : ACZ module, see page 800-1 and 800-2.
 Pos. 223 : Label
 Pos. 240 : Acc.
 Pos. 250 : Upgrade
 Pos. 260 : Certificates.

Pos. 166, no. 37 on drw. 537712
 Pos. 167, no. 38 on drw. 537712
 ■ Glue with Loctite 242 P/N 148163 pos. 169
 ■■ Apply Heat Sinc Compound P/N 60251 pos. 164

Fig. 26

600-1

27 Basic Unit (M)**Drawing No.: 00537712****Page: 600-2**

Pos.	Part No.	Description	Prod. No.
26	00202614	Screw	
28	00435321	Springwasher	
29	00189449	Allen screw	
32	00299313	Washer	
33	00227348	Allen screw M3x6	
35	00537613	Cable assembly	
38	00537621	NTC-complete	
40	00109108	Springwasher	
41	00230441	Allen screw	
43	00821280	Screw m3x08	
44	00820118	Screw m2.5x08	
45	00435321	Springwasher	
51	00299313	Washer	
52	00820217	Screw m3x08	
101	00299313	Washer	
102	00820308	Screw m3x35	
103	00820225	Screw m3x10	
104	00299313	Washer	
108	00201145	Allen screw	
109	00011569	Allen screw	
112	00299313	Washer	
113	00820225	Screw m3x10	
114	00538488	Screw	
115	00008821	Washer	
230	00538561	Label sheet warning	
242	00820282	Screw m3x25	
243	00299313	Washer	
D	60046151	Power supply	00537597
E	00514679	Thermistor	

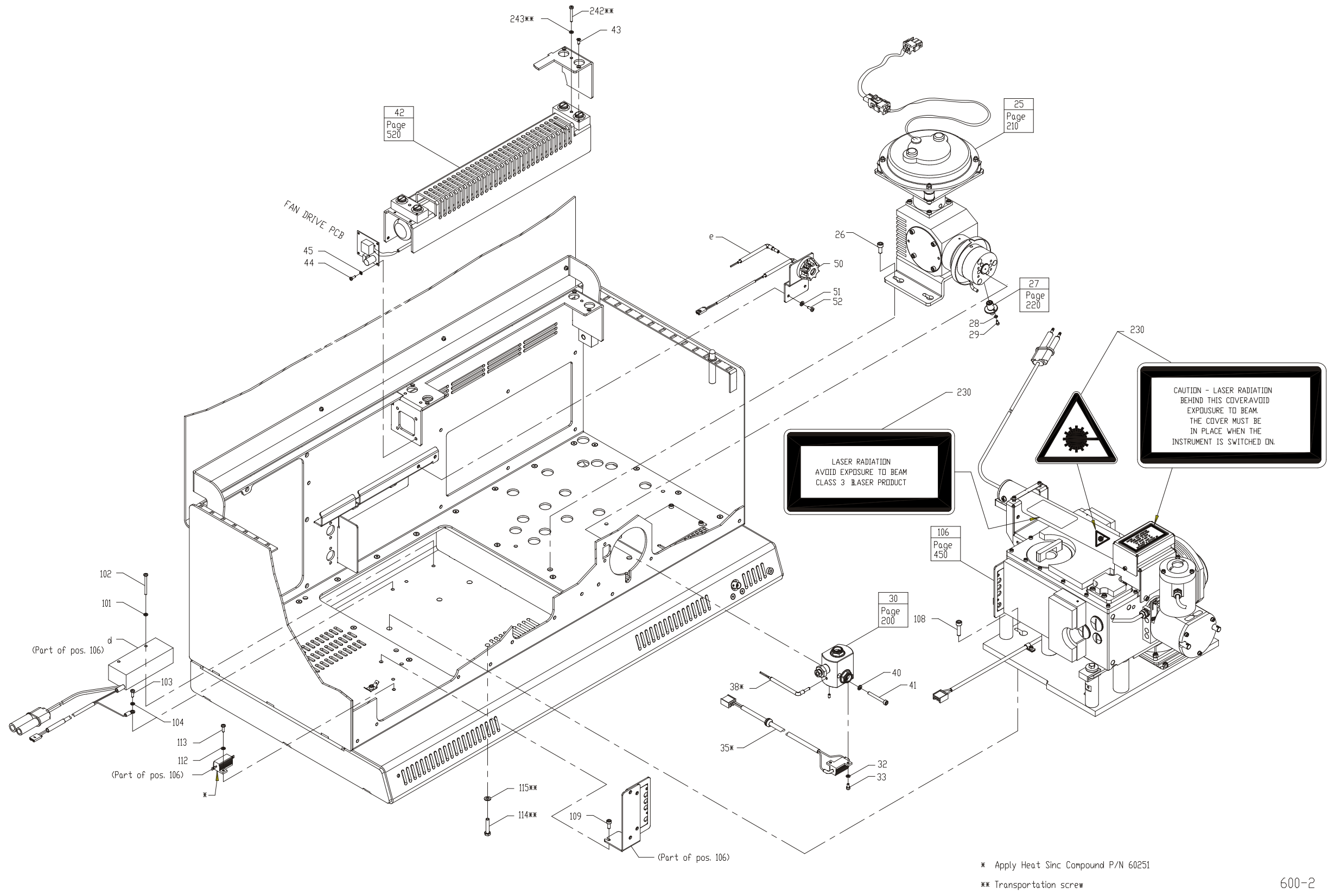


Fig. 27

600-2

28 Basic Unit (M)**Drawing No.: 00537712****Page: 600-3**

Pos.	Part No.	Description	Prod. No.
21	00820357	Screw m4x08	
22	00710624	Allen screw	
71	00588053	Pcb assy Arcnet Drive PCB 29540	
72	00820217	Screw m3x08	
81	00109108	Springwasher	
82	00011569	Allen screw	
187	00820340	Screw m4x06	
220	00511642	Lable	

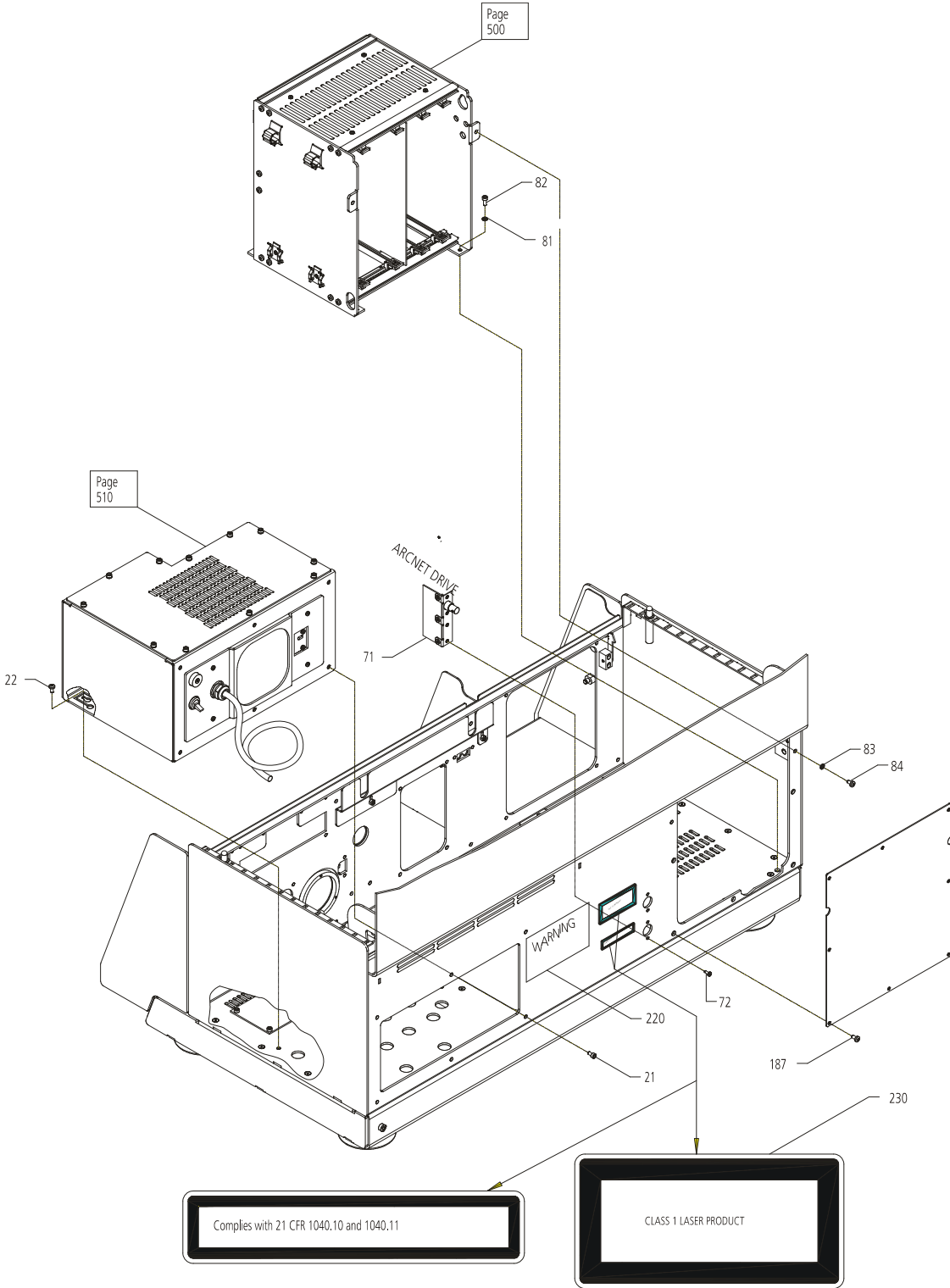


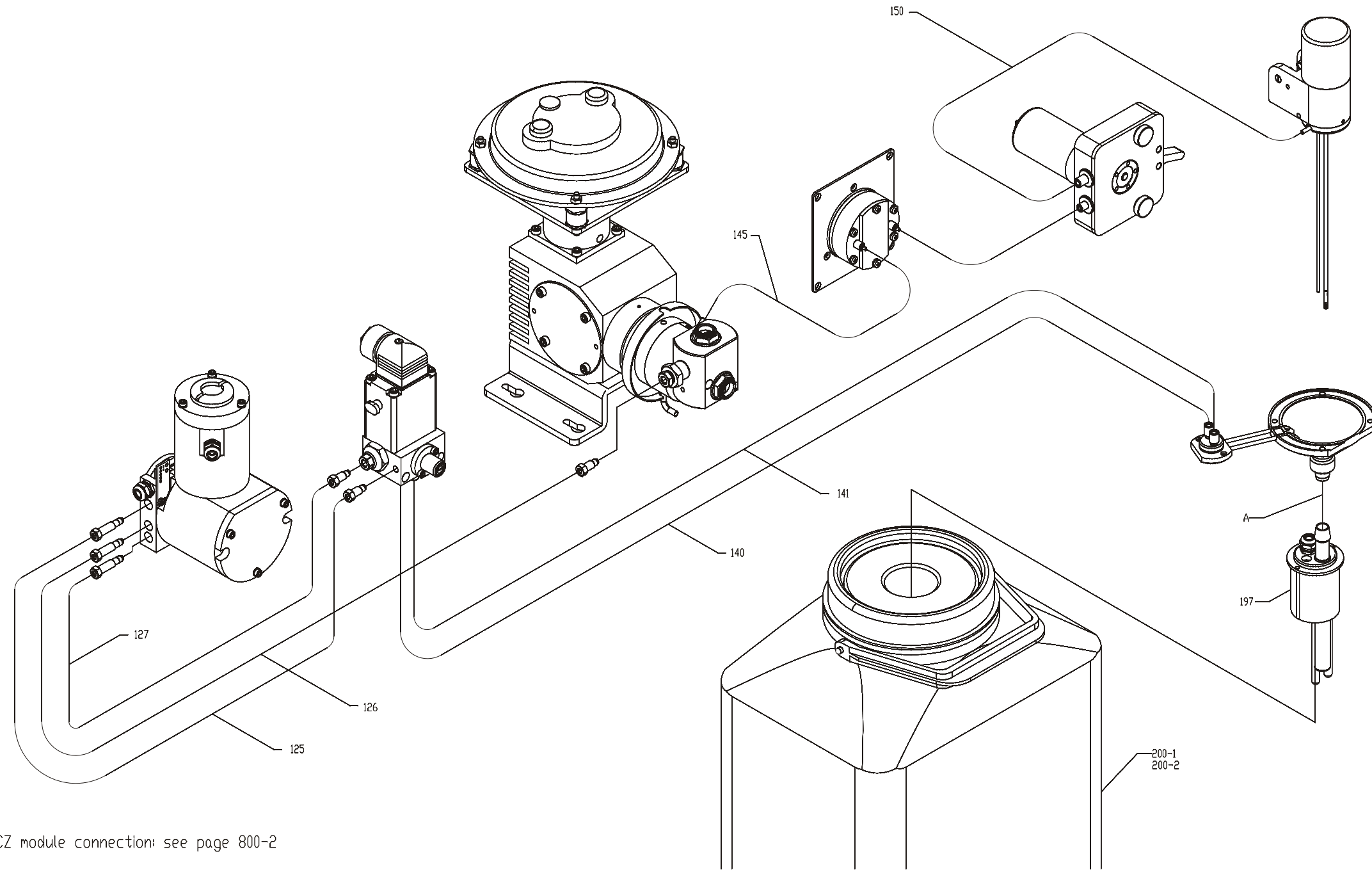
Fig. 28

600-3

29 Basic Unit, Tubing (M)

Drawing No.: 00537712**Page: 600-4**

Pos.	Part No.	Description	Prod. No.
200-1	00532960	Container	
200-2	00533182	Lid	
125	00537647	Tubing	
126	00537639	Tubing	
127	00537654	Tubing	
140	00028613	PVC Ø2/4	
141	00028613	PVC Ø2/4	
145	60045808	Silic. Ø1.5x3	00101287
150	00028613	PVC Ø2/4	
197	60046153	Waste unit	00538009
A	00102921	Pvc Ø10/14	



ACZ module connection: see page 800-2

Fig. 29

600-4

30 Basic Unit, El.Connection (M)**Drawing No.: 00537712****Page: 600-5**

Pos.	Part No.	Description	Prod. No.
70	00537563	Cable	
90	00537571	Cable cpl.	
93	00537589	Cable assembly	
95	00537605	Cable assembly	

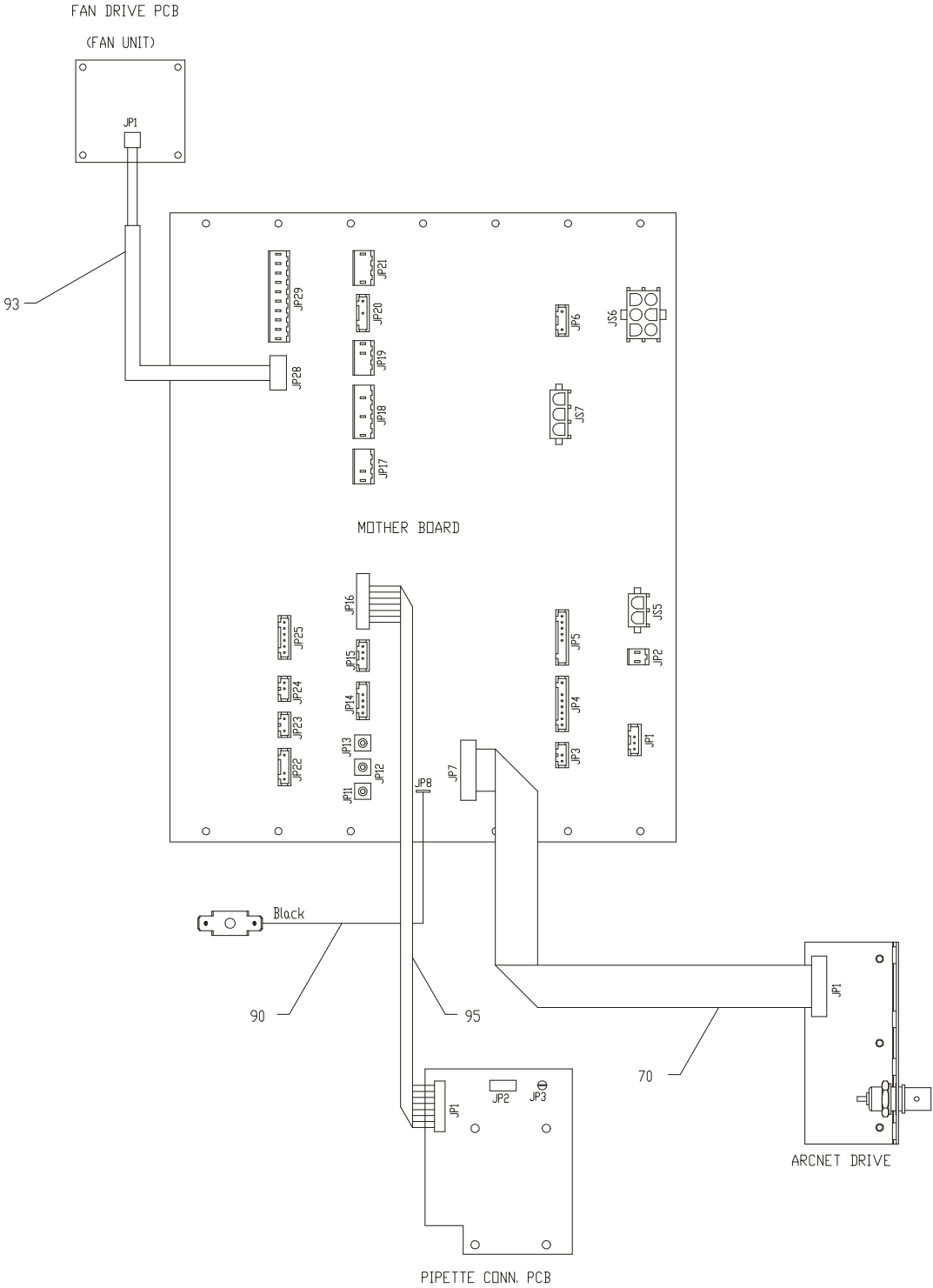


Fig. 30

600-5

31 Basic Unit (A)

Drawing No.: 01020650**Page: 650-1**

Pos.	Part No.	Description	Prod. No.
2	60046106	Flow Control	00536805
3	00109108	Springwasher	
4	00194282	Screw m4x40	
8	00821280	Screw m3x08	
10	60046105	Tube pump	00536755
11	00109108	Springwasher	
12	00201137	Allen screw	
14	00201152	Allen screw	
15	00537324	Heat exchanger	
16	00189795	Allen screw	
17	00821280	Screw m3x08	
98	00821280	Screw m3x08	
118	00821256	Screw	
119	00821272	Screw m3x06	
132	00821280	Screw m3x08	
165	00496869	Thermocoupler	
255	00705251	Screw	

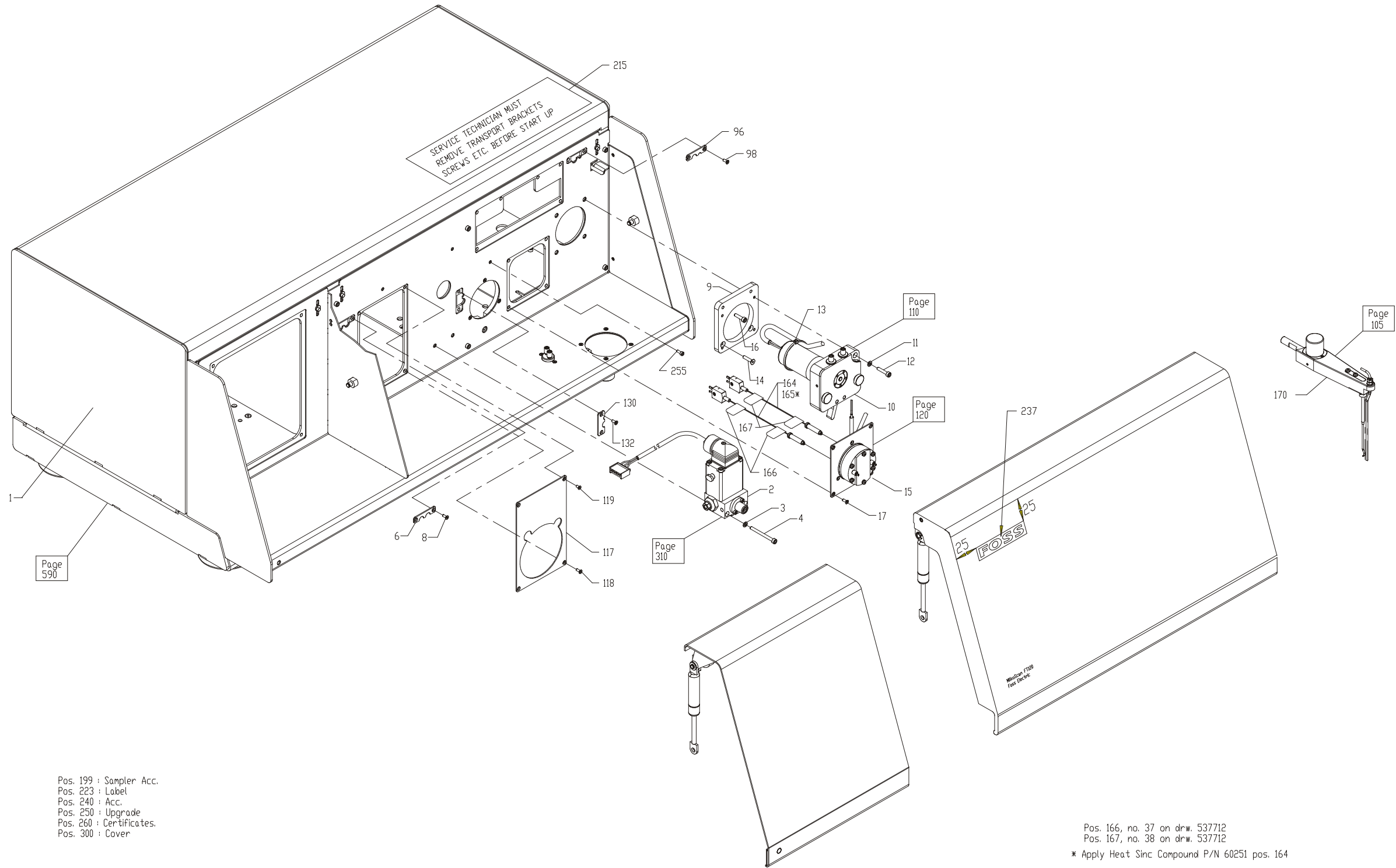


Fig. 31

Pos. 199 : Sampler Acc.
 Pos. 223 : Label
 Pos. 240 : Acc.
 Pos. 250 : Upgrade
 Pos. 260 : Certificates
 Pos. 300 : Cover

Pos. 166, no. 37 on drw. 537712
 Pos. 167, no. 38 on drw. 537712
 * Apply Heat Sinc Compound P/N 60251 pos. 164

650-1

32 Basic Unit (A)**Drawing No.: 0102650****Page: 650-2**

Pos.	Part No.	Description	Prod. No.
26	00202614	Screw	
28	00435321	Springwasher	
29	00189449	Allen screw	
32	00299313	Washer	
33	00227348	Allen screw M3x6	
35	00537613	Cable assembly	
38	00537621	NTC-complete	
40	00109108	Springwasher	
41	00230441	Allen screw	
43	00821280	Screw m3x08	
44	00820118	Screw m2.5x08	
45	00435321	Springwasher	
51	00299313	Washer	
52	00820217	Screw m3x08	
101	00299313	Washer	
102	00820308	Screw m3x35	
103	00820225	Screw m3x10	
104	00299313	Washer	
108	00201145	Allen screw	
109	00011569	Allen screw	
112	00299313	Washer	
113	00820225	Screw m3x10	
114	00538488	Screw	
115	00008821	Washer	
230	00538561	Label sheet warning	
242	00820282	Screw m3x25	
243	00299313	Washer	
D	60046151	Power supply	00537597
E	00514679	Thermistor	

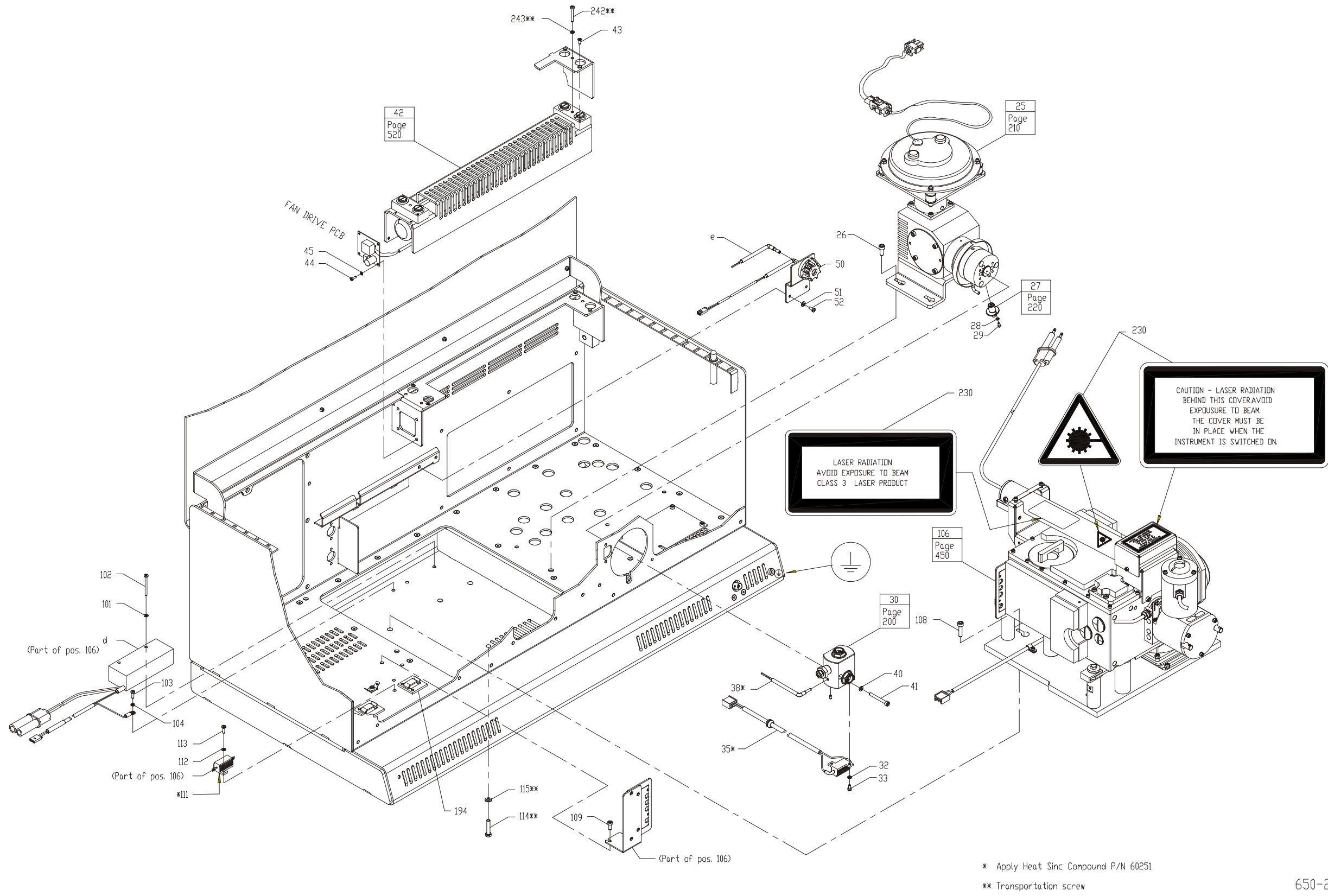
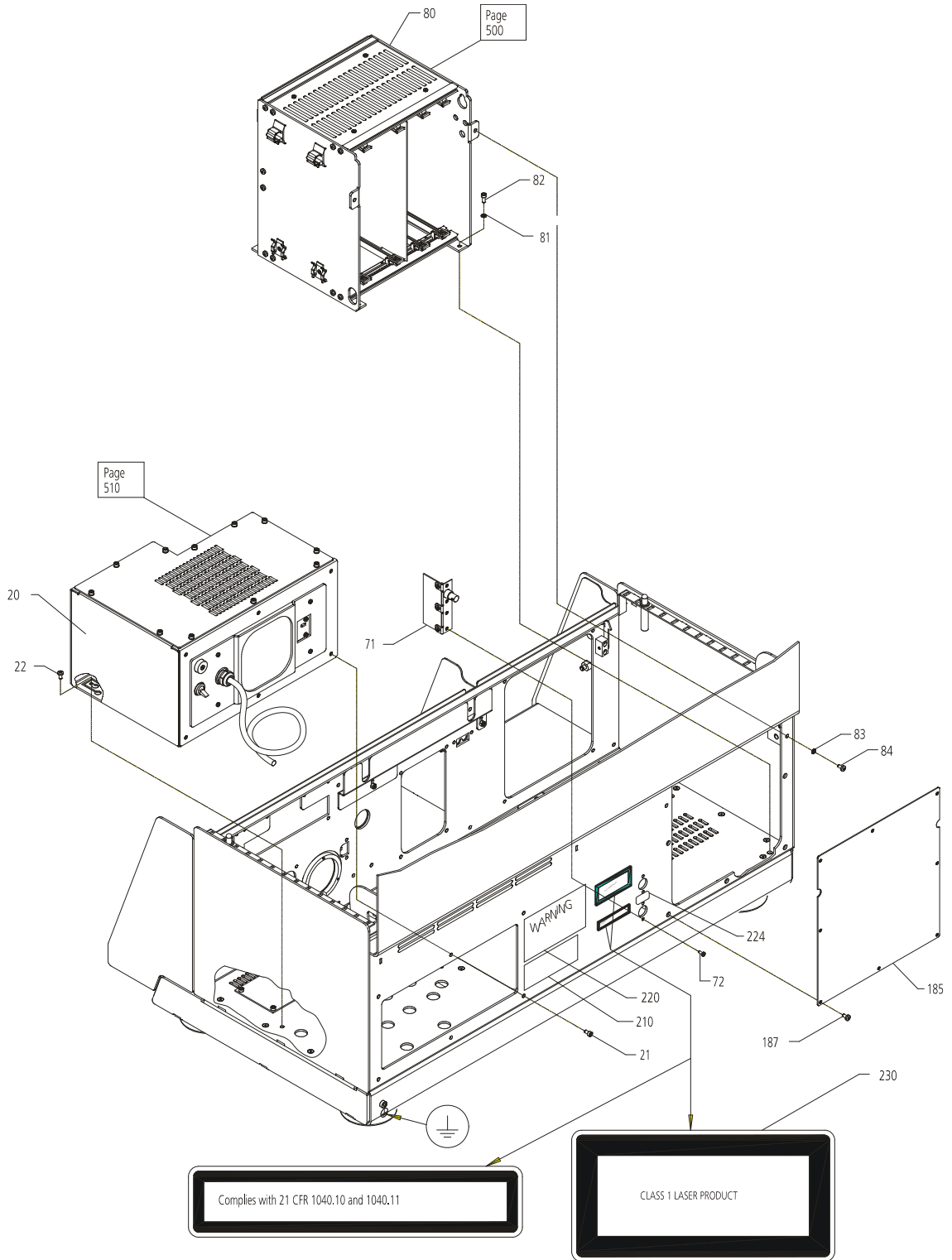


Fig. 32

33 Basic Unit (A)**Drawing No.: 01020650****Page: 650-3**

Pos.	Part No.	Description	Prod. No.
21	00820357	Screw m4x08	
22	00710624	Allen screw	
71	00588053	Pcb assy Arcnet Drive PCB 29540	
72	00820217	Screw m3x08	
81	00109108	Springwasher	
82	00011569	Allen screw	
83	00109108	Springwasher	
84	00820357	Screw m4x08	
187	00820340	Screw m4x06	
220	00511642	Lable	



Pos. 210, no. 100 on drw. 537712
 Pos. 224, no. 71 on drw. 537712

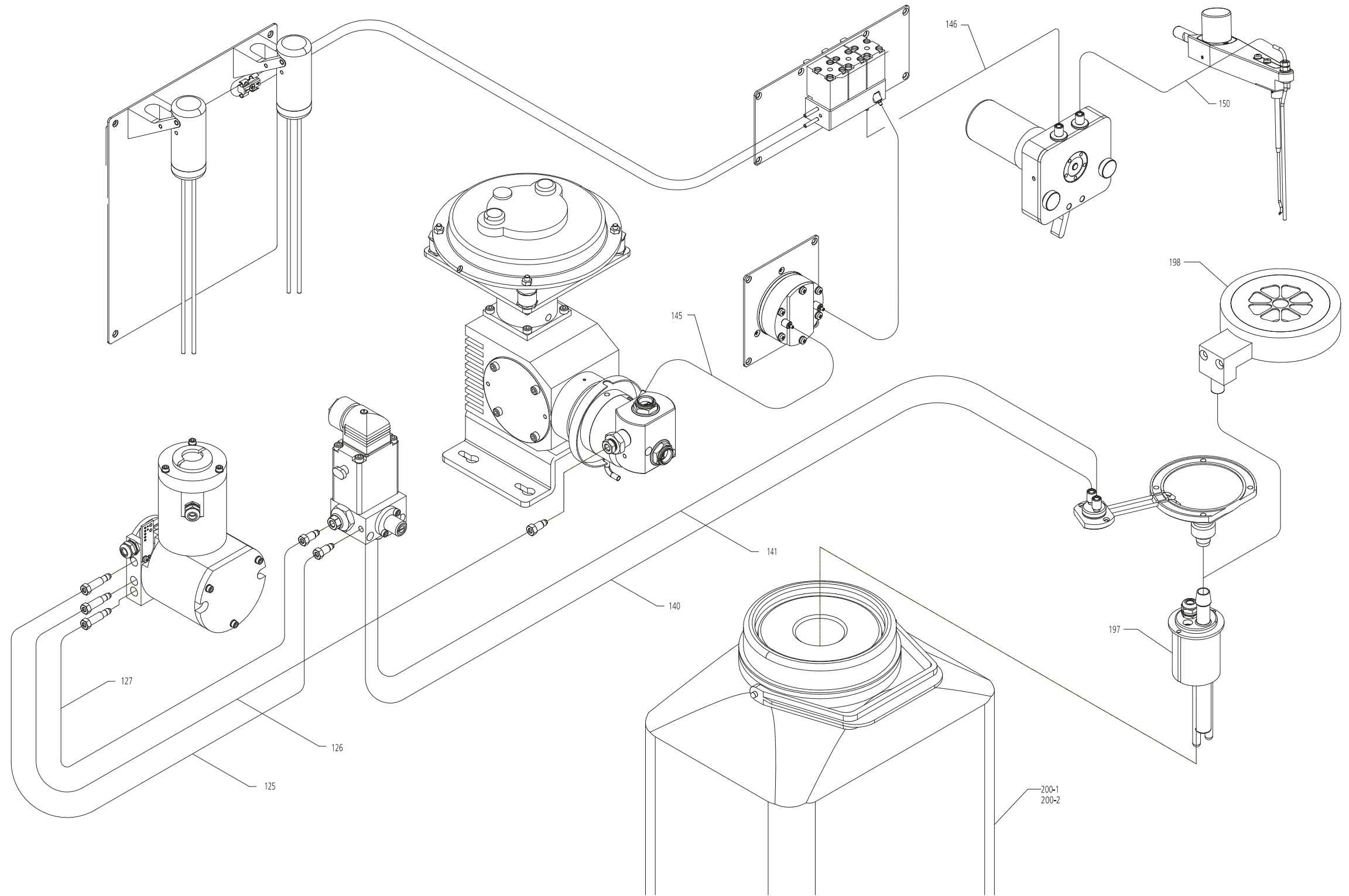
650-3

Fig. 33

34 Basic Unit, Tubing (A)

Drawing No.: 01020650**Page: 650-4**

Pos.	Part No.	Description	Prod. No.
200-1	00532960	Container	
200-2	00533182	Lid	
125	00537647	Tubing	
126	00537639	Tubing	
127	00537654	Tubing	
140	00028613	PVC Ø2/4	
141	00028613	PVC Ø2/4	
145	60045808	Silic. Ø1.5x3	00101287
146	60045808	Silic. Ø1.5x3	00101287
150	00028613	PVC Ø2/4	
197	60046153	Waste unit	00538009

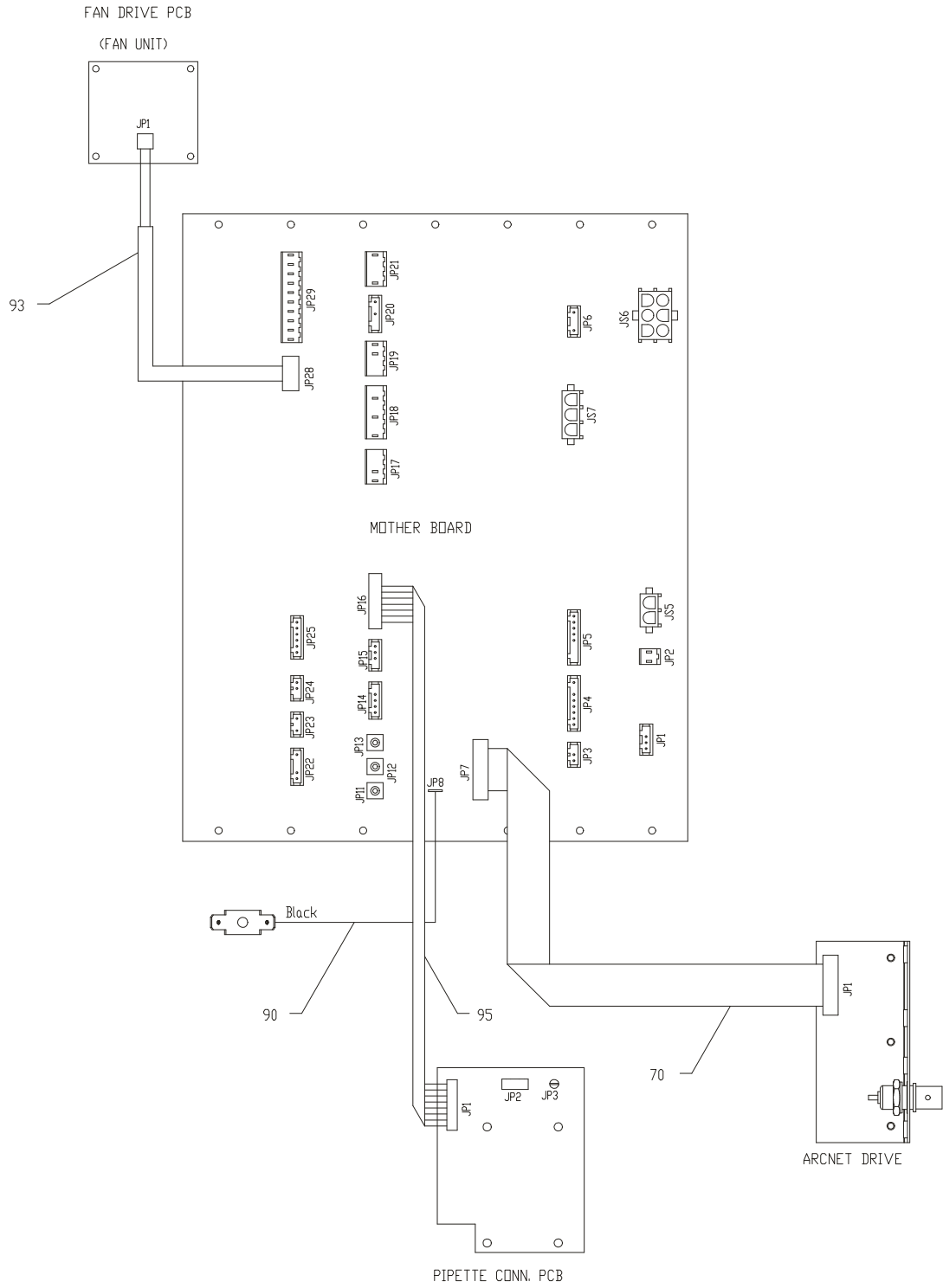


650-4

Fig. 34

35 Basic Unit, El.Connection (A)*Drawing No.: 01020650**Page: 650-5*

Pos.	Part No.	Description	Prod. No.
70	00537563	Cable	
90	00537571	Cable cpl.	
93	00537589	Cable assembly	
95	00537605	Cable assembly	



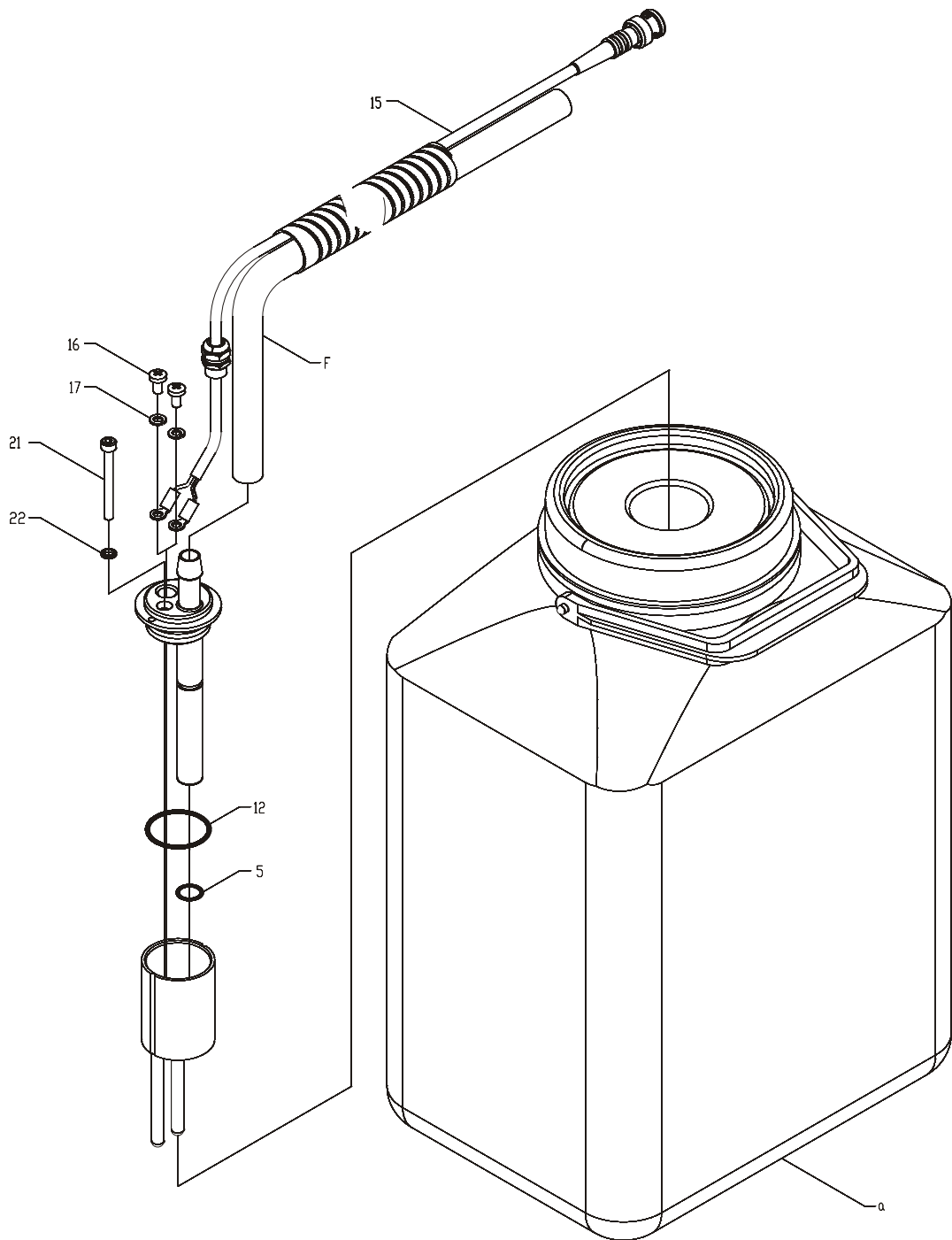
650-5

Fig. 35

36 Waste Unit

Drawing No.: 00538009**Page: 700**

Pos.	Part No.	Description	Prod. No.
5	00302851	O-ring ø10.00xø1.30	
12	00390120	O-ring	
15	00497495	Cable	
16	00820357	Screw m4x08	
17	00109108	Springwasher	
21	00194282	Screw m4x40	
22	00158808	U-ring	



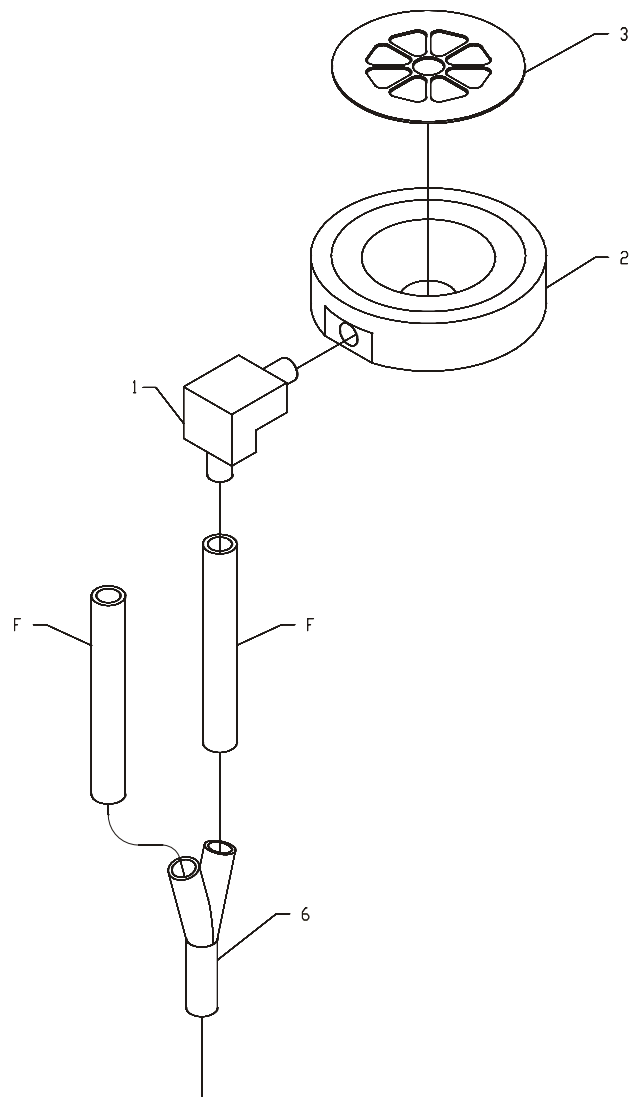
700

Fig. 36

37 Sampler Kit

Drawing No.: 01000190**Page: 710**

Pos.	Part No.	Description	Prod. No.
1	01005187	Angle assy cpl.	
2	01005190	Drain for pipette	
3	01005191	Grating	
6	01000147	Y-tube	
F	00102921	Pvc Ø10/14	



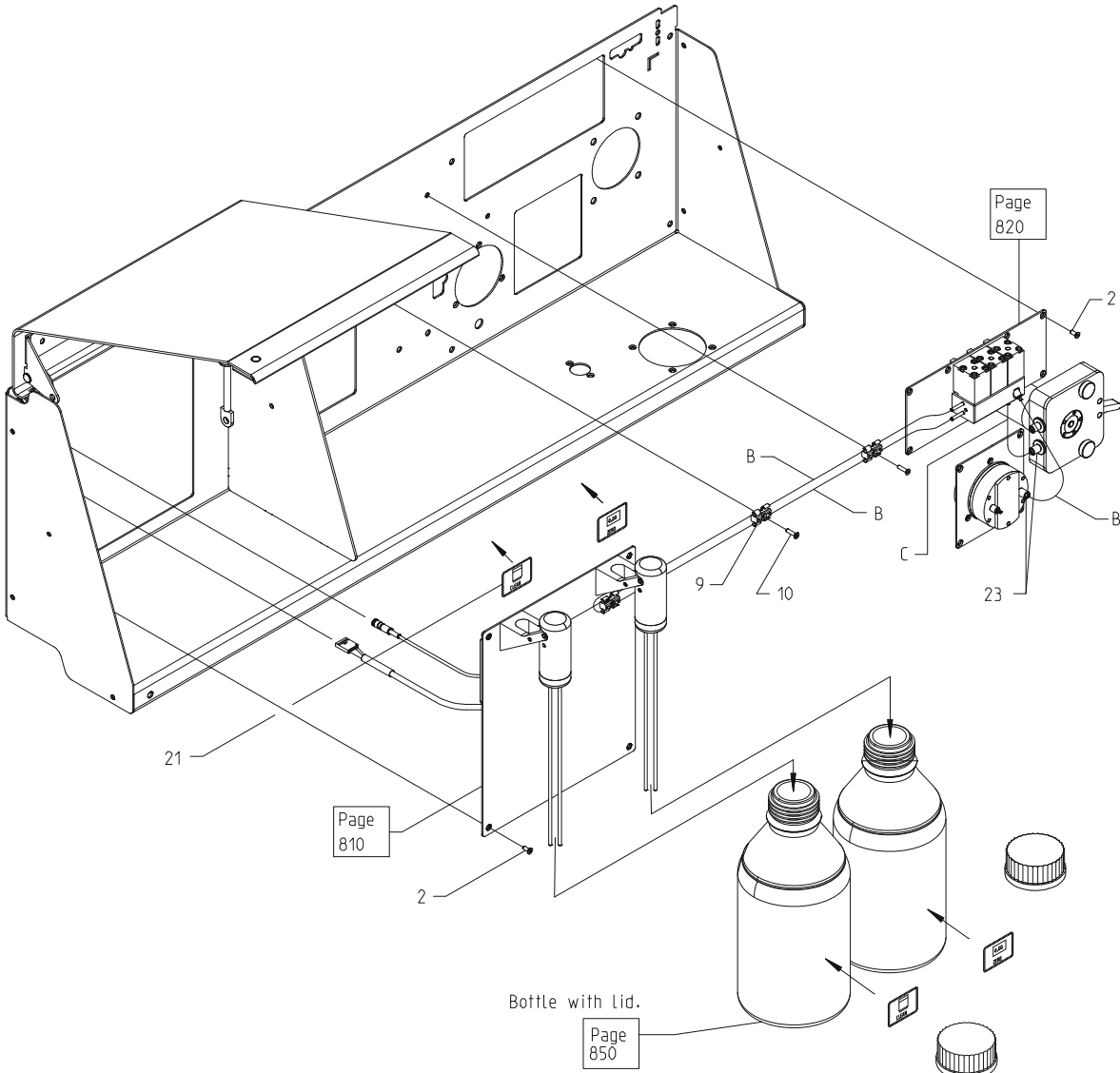
710

Fig. 37

38 ACZ Module

Drawing No.: 00539700**Page: 800-1**

Pos.	Part No.	Description	Prod. No.
2	00821280	Screw m3x08	
9	00539668	Cable Holder	
10	00821306	Screw m3x12	



800-1

Fig. 38

39 Tubing of Basic Unit with ACZ Module

Drawing No.: 00539700**Page: 800-2**

Pos.	Part No.	Description	Prod. No.
125	00537647	Tubing	
126	00537639	Tubing	
127	00537654	Tubing	
B	00028613	PVC Ø2/4	
C	60045808	Silic. Ø1.5x3	00101287
F	00102921	Pvc Ø10/14	

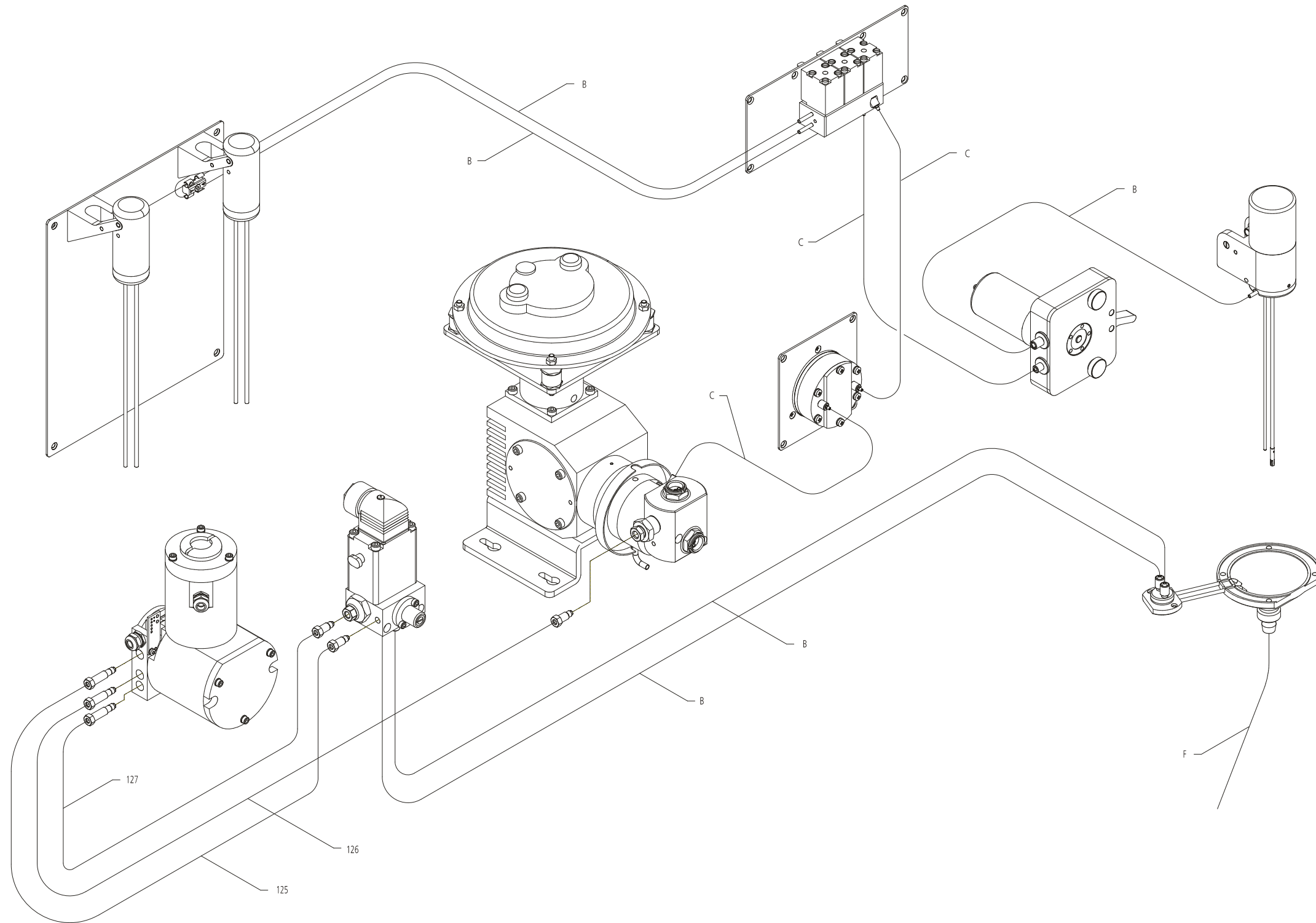
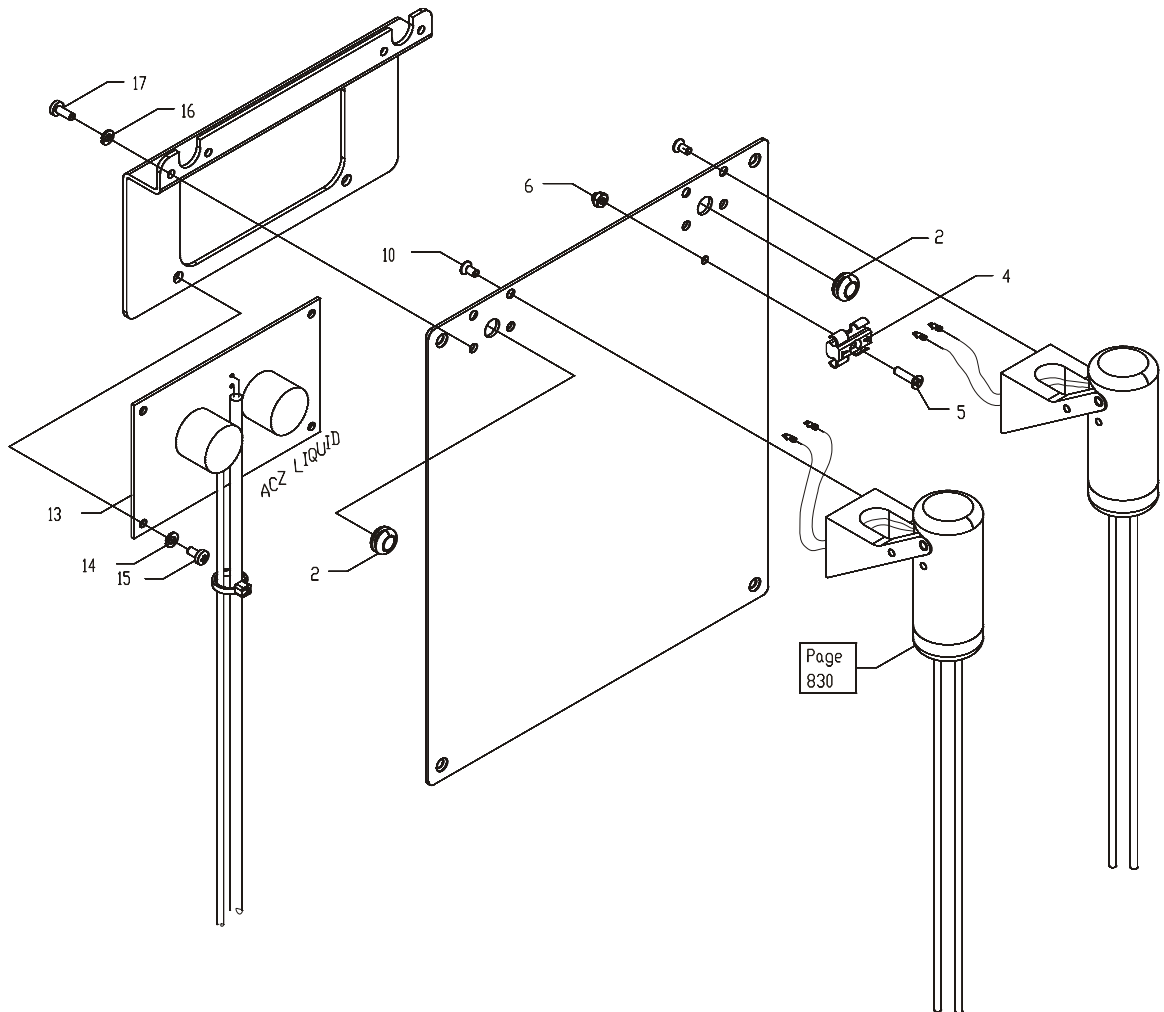


Fig. 39

800-2

40 ACZ Pipette Unit**Drawing No.: 005393841 Page: 810**

Pos.	Part No.	Description	Prod. No.
2	00325191	Bushing	
4	00539668	Cable Holder	
5	00821306	Screw m3x12	
6	00299305	Lock nut m3	
10	00821272	Screw m3x06	
13	00569632	Print assy Acz liquid	
14	00299313	Washer	
15	00820209	Screw m3x06	
16	00299313	Washer	
17	00820217	Screw m3x08	



810

Fig. 40

41 ACZ Valve Unit

Drawing No.: 00540252**Page: 820**

Pos.	Part No.	Description	Prod. No.
1	00540245	Manifold	
2	00219121	Union	
4	00710624	Allen screw	
5	00109108	Springwasher	
8	00539759	Cable Joint	
V1	00337535	Magnet valve	
V1-A	00461749	Service kit	
V2	00337535	Magnet valve	
V2-A	00461749	Service kit	
V3	00337535	Magnet valve	
V3-A	00461749	Service kit	

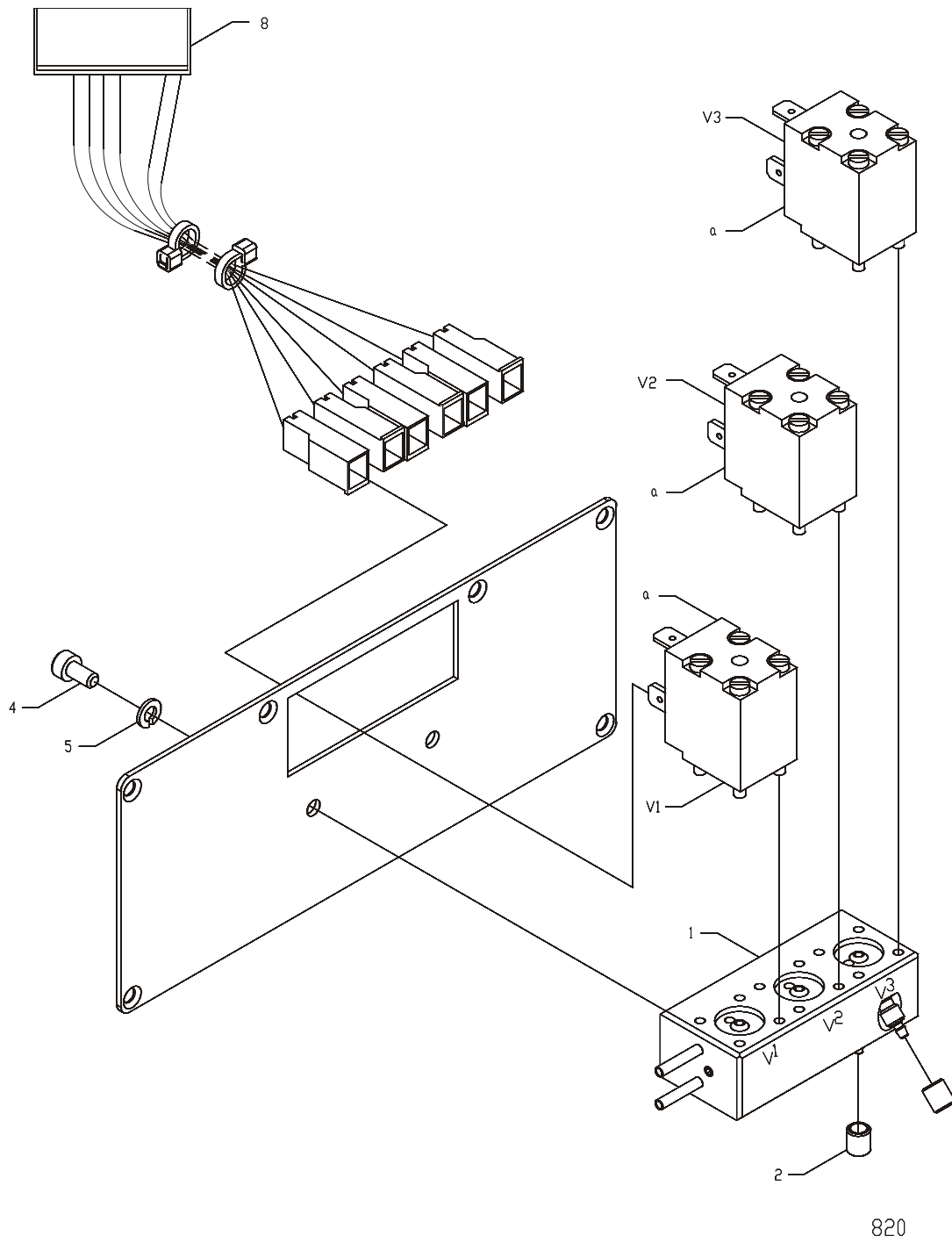


Fig. 41

42 ACZ Pipette

Drawing No.: 00539833**Page: 830**

Pos.	Part No.	Description	Prod. No.
2	00039388	Spring	
15	00539825	Bottom assembly	
18	00357897	Springwasher	
19	00008839	Nut M 5	
25	00820308	Screw m3x35	

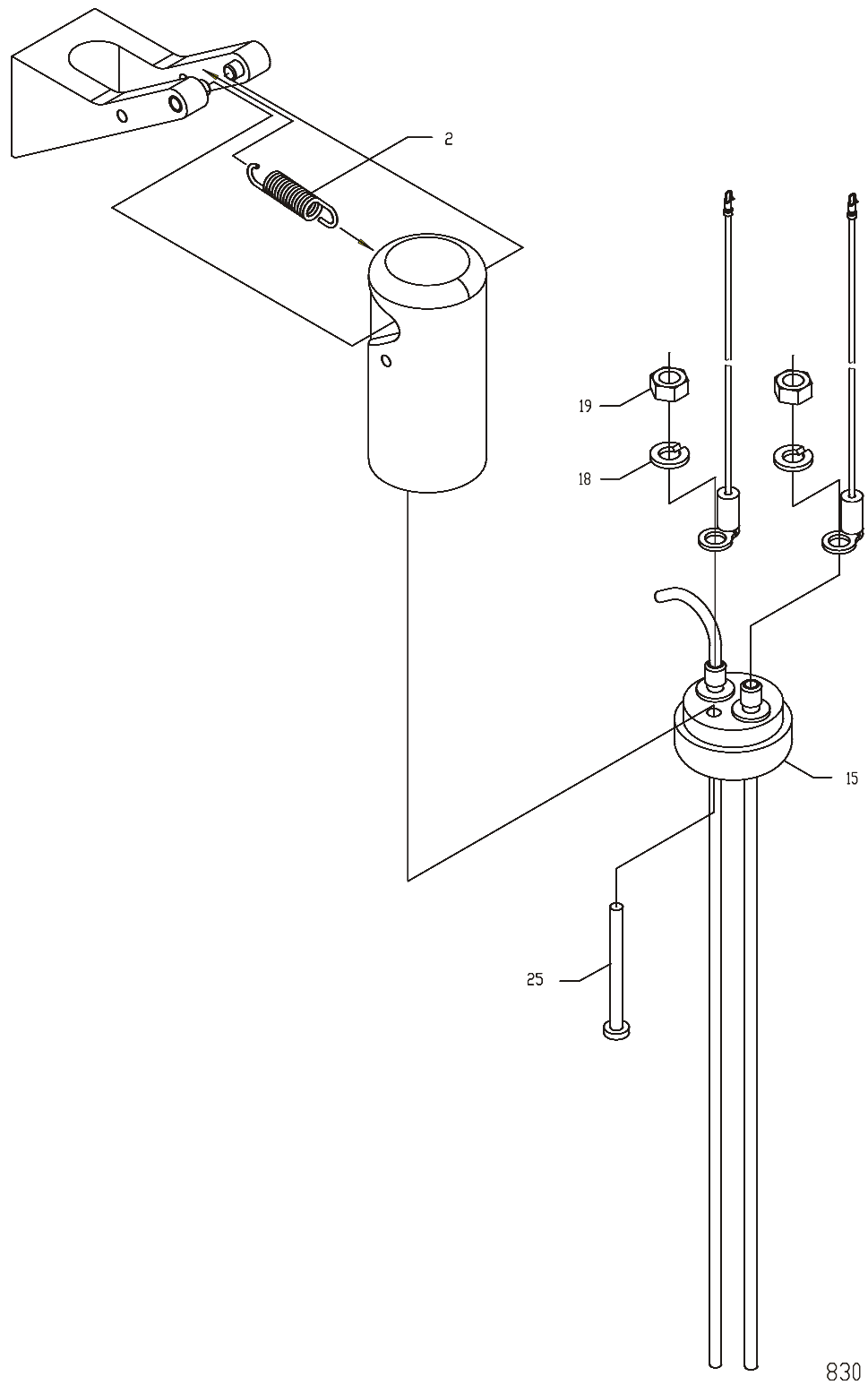


Fig. 42

43 Accessories

Drawing No.: -

Page: 850

Pos.	Part No.	Description	Prod. No.
9	01015262	Bottle 5 L.	
10	01015263	Bottle for rinsing 5L	
20	00391078	Bottle 1 litre	
21	00539312	Labels	

44 Index

Part No.	Page		
00000414	22	00209452	24
00000554	26	00217851	8
00007823	6	00219121	10, 12, 18, 82
00008821	54, 64	00219147	20, 24, 28
00008839	84	00227348	6, 10, 28, 30, 34, 42, 54, 64
00011429	38	00230441	28, 54, 64
00011569	16, 48, 50, 54, 56, 64, 66	00238261	34
00011775	6	00243451	22
00028613	58, 68, 78	00243667	14
00035022	34	00248542	14
00035121	44	00256701	28, 34
00039388	84	00263517	34
00046458	34	00276998	34
00051433	8	00277137	34
00052118	36	00277772	40, 48, 50
00053207	26, 30	00280966	34
00054411	16	00287904	16
00054437	6	00291724	28, 48, 50
00057950	40	00296640	42, 48, 50
00078949	12	00299305	48, 50, 80
00098186	34	00299313	6, 8, 12, 16, 20, 22, 24, 34, 42, 44, 54, 64, 80
00102921	58, 74, 78	00302851	72
00108480	20, 28	00306993	6
00109108	8, 16, 28, 34, 48, 50, 52, 54, 56, 62, 64, 66, 72, 82	00323022	34
00109397	16, 48, 50	00325191	80
00111872	26, 44, 46, 48, 50	00325639	22
00117572	42, 44, 46, 52	00326405	30
00127316	32	00331108	16
00140525	8, 12, 20, 24	00333625	28
00144592	14	00337535	82
00153403	34, 44	00343335	42, 44
00158246	46	00357897	16, 34, 84
00158808	72	00363762	38
00164772	16	00368365	20
00166009	16	00370205	6, 48, 50
00176750	14, 18	00377432	44
00178780	52	00384172	34
00187484	40	00390120	72
00189449	6, 54, 64	00391078	86
00189795	62	00403691	42, 44, 46, 48, 50
00191007	32	00410555	30
00194282	52, 62, 72	00412346	40
00198499	22	00416693	28
00201137	28, 52, 62	00417196	6
00201145	16, 54, 64	00433698	38, 48, 50
00201152	28, 34, 62	00435115	34
00202614	16, 54, 64	00435321	6, 20, 26, 32, 54, 64
		00445890	20

00452128	40	00504498	8
00461749	82	00511642	56, 66
00465856	32	00514679	20, 54, 64
00465898	34	00519157	32
00480889	32	00520353	26, 38
00482521	16	00520411	20
00482539	16	00520437	40
00482737	6	00520452	42, 44
00482760	42, 44, 46	00528364	10
00494989	20	00532960	58, 68
00495085	10	00533182	58, 68
00495093	10	00536425	22
00495135	10, 22, 48	00536458	28
00495432	10	00536466	28
00495499	10	00536474	28
00495648	28	00536540	28
00495705	10	00536557	24
00495739	10	00536581	24
00496273	22	00536599	24
00496364	16	00536664	28
00496372	20	00536722	16
00496455	48, 50	00536763	22
00496471	14	00536771	10
00496620	42	00536813	22
00496638	42, 44, 46	00536839	36
00496653	48	00536847	36
00496661	48, 50	00536854	36
00496786	28	00536862	36
00496828	34	00536870	36
00496869	52, 62	00536888	36
00496877	34	00536896	36
00497008	34	00536938	48, 50
00497107	34	00536961	28
00497370	48, 50	00536979	28
00497495	72	00536987	28
00497537	40	00536995	30
00499392	44	00537001	30
00499418	44, 46	00537027	30
00499434	44, 46	00537076	30
00499467	42	00537084	30
00499517	26	00537266	12
00499533	48, 50	00537290	12
00499541	48, 50	00537308	12
00499608	28	00537324	52, 62
00499699	6	00537423	42
00499715	6	00537480	20
00499855	22	00537555	26
00499863	6	00537563	60, 70
00499905	40	00537571	60, 70
00499921	48, 50	00537589	60, 70
00499954	48, 50	00537605	60, 70
00501379	34	00537613	54, 64
00503433	14	00537621	54, 64
00503615	14	00537639	58, 68, 78

00537647	58, 68, 78	00820290	12
00537654	58, 68, 78	00820308	54, 64, 84
00537670	6	00820340	56, 66
00537688	6	00820357	52, 56, 66, 72
00537696	6	00820373	26
00537787	34	00820415	26
00537852	42	00821256	52, 62
00538058	10	00821272	20, 34, 48, 50, 52, 62, 80
00538082	26	00821280	28, 48, 50, 52, 54, 62, 64, 76
00538132	38	00821306	76, 80
00538157	38	00821348	20, 34
00538165	14	00821462	28
00538389	46	00821504	20
00538488	54, 64	00821744	16
00538561	54, 64	00821827	32
00538587	16	00840454	16
00538629	10	00841247	16
00538645	28	00841809	16
00539056	6	00844696	16
00539148	48, 50	00844720	16
00539312	86	00844738	16
00539551	14	00844753	16
00539668	76, 80	00844761	16
00539759	82	00844787	16
00539825	84	00844803	16
00540021	18	00844837	16
00540138	42	00845610	14
00540146	20	00845891	14
00540245	82	00846907	16
00540278	46	00846972	18
00540468	42	01000113	44
00540591	22	01000147	74
00569632	80	01000158	50
00582718	32	01000408	42
00582999	28	01000462	28
00583559	32	01000632	28
00583732	34	01005171	44
00588053	56, 66	01005187	74
00702308	28	01005190	74
00705012	40	01005191	74
00705251	22, 26, 30, 52, 62	01010727	28
00708826	20	01011050	8
00709550	34	01011055	8
00710624	28, 34, 48, 50, 56, 66, 82	01011078	28
00820027	8, 28	01015197	28
00820100	20, 26	01015262	86
00820118	54, 64	01015263	86
00820126	32	01015267	34
00820209	8, 20, 80	01015292	20
00820217	16, 34, 54, 56, 64, 66, 80	01015293	28
00820225	24, 54, 64	01015329	10
00820282	54, 64	01015330	16

01015633	28
01015818	8
01020605	44
01020607	8
01020613	8
01055040	20
60000275	12
60000299	12
60004872	20
60023664	14
60023668	14
60026358	16
60026361	16
60026363	16
60026421	14
60026439	14
60027290	28
60027829	22
60045808	58, 68, 78
60046105	52, 62
60046106	52, 62
60046107	28
60046150	12
60046151	54, 64
60046153	58, 68
60046154	14